

**CAUTIONS**



To prevent serious personal injury and/or property damage, operate all remotely controlled models in a responsible manner as outlined herein.

**● Safety Precautions**

- 1.1 Choose a right place to operate your RC model.
- 1.2 Do not operate your RC model on the street or highway. It can cause a serious damage or a serious accident.
- 1.3 Never operate your RC model near people or animals.
- 1.4 Do not operate RC model in public places like hospital and residential areas.
- 1.5 Never operate RC model indoors. There is a higher possibility of fire or damage.
- 1.6 Keep the parts out of reach of children, small parts can cause choking and vinyl bags can suffocate.
- 1.7 Do not use with children younger than 14 years.

**● Inspect your RC model before operation**

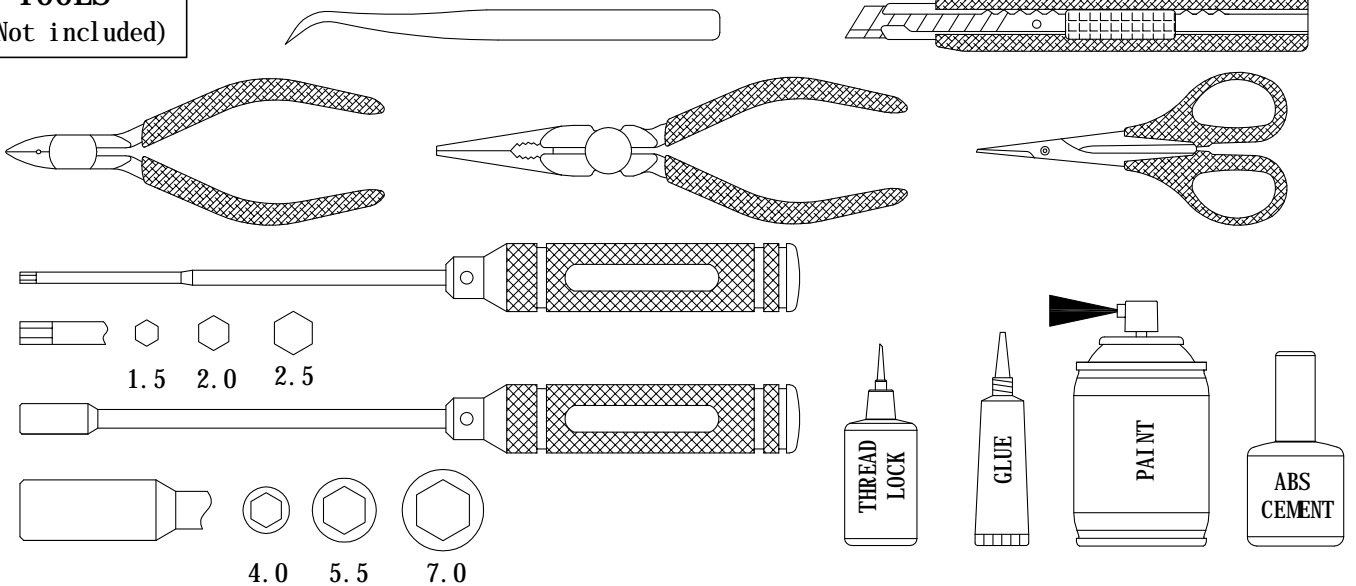
- 2.1 Make sure that all screws and nuts are properly tightened. It is also a good idea to use removable thread lock wherever metal screws go into metal, especially for engine mounts and the engine pilot shaft.
- 2.2 Always use fresh batteries for your transmitter and for your receiver to avoid losing control of the model.
- 2.3 Always test the brakes and throttle before starting your engine to avoid losing control of the model.
- 2.4 Always turn on the transmitter first, and then turn on the receiver.

**● After operation of your RC model**

- 3.1 Turn off receiver first, then turn off transmitter, this will prevent runaways.
- 3.2 Be careful when handling batteries, they will be hot after running.
- 3.3 Replace any batteries that have been dented or have frayed wires, short circuits can cause fire.

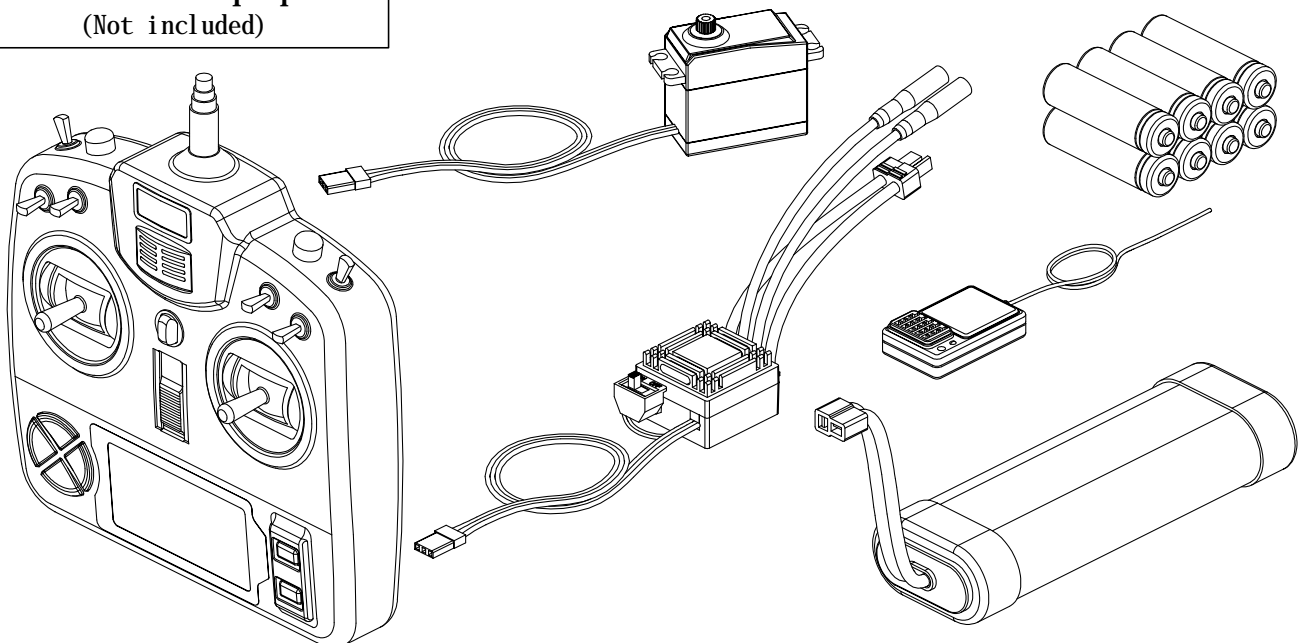
**TOOLS**

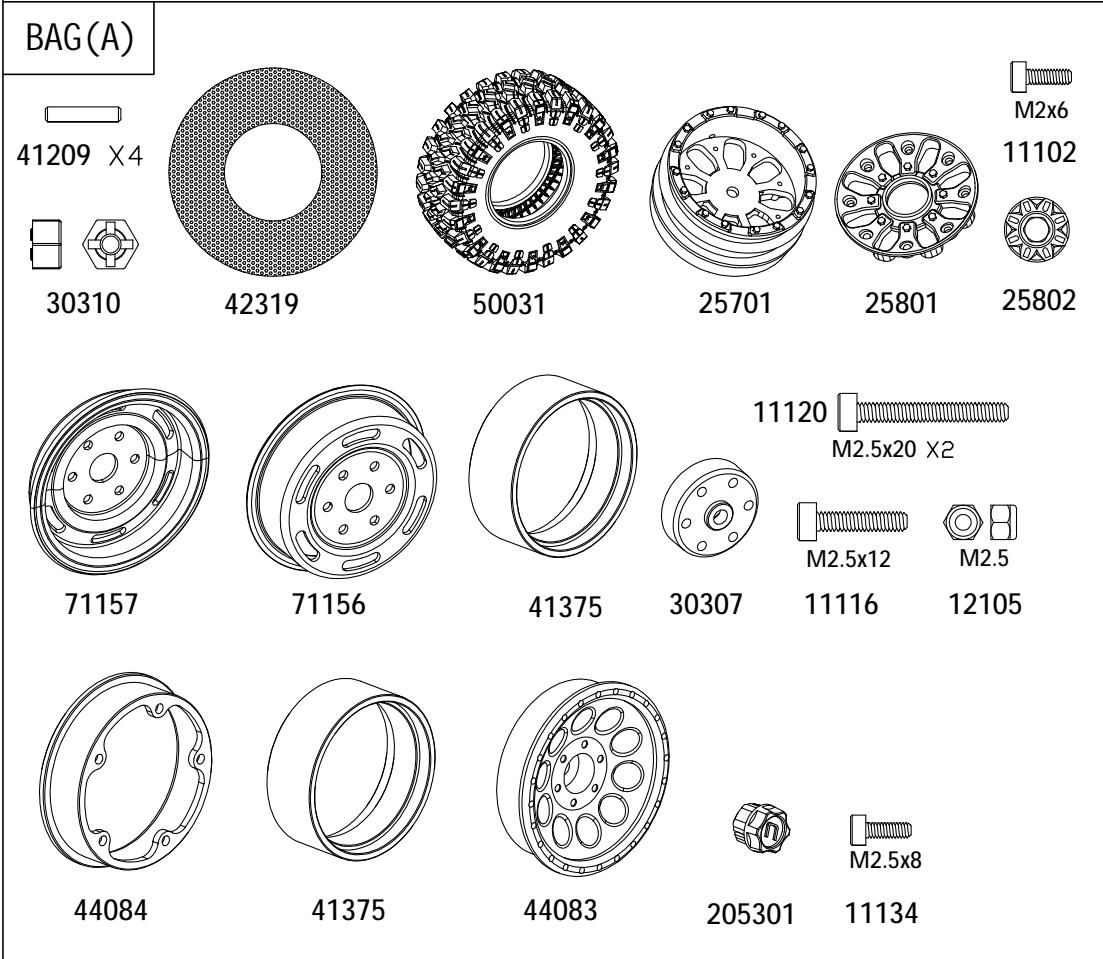
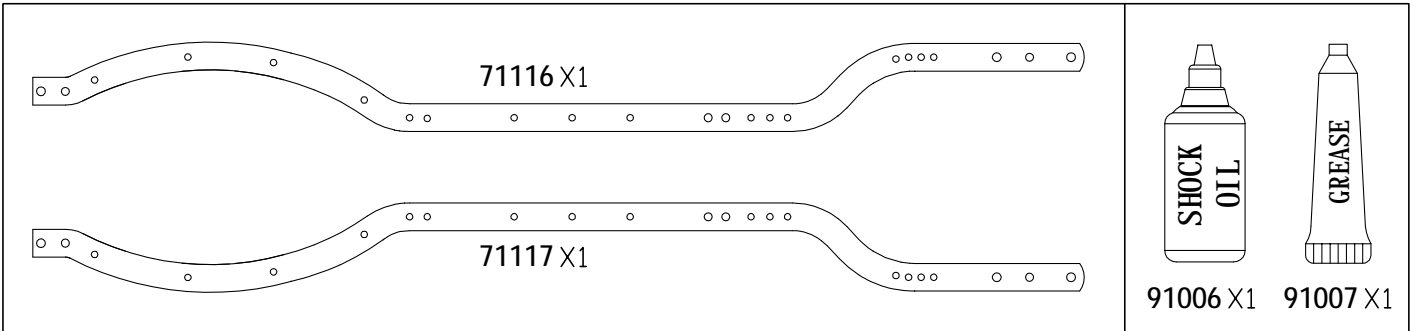
(Not included)



**Electronic equipment**

(Not included)





**SP4 (A)**

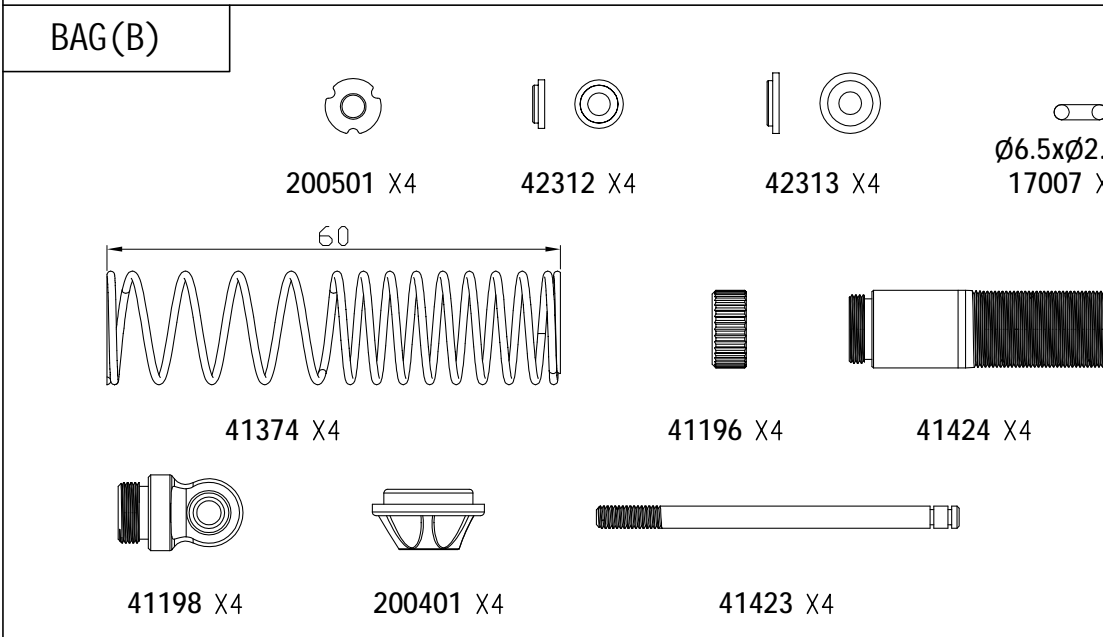
1	30310	X4
2	42319	X4
3	50031	X4
4	25701	X4
5	25801	X4
6	25802	X4
7	11102	X32
8	41209	X4

**SP4 (B)**

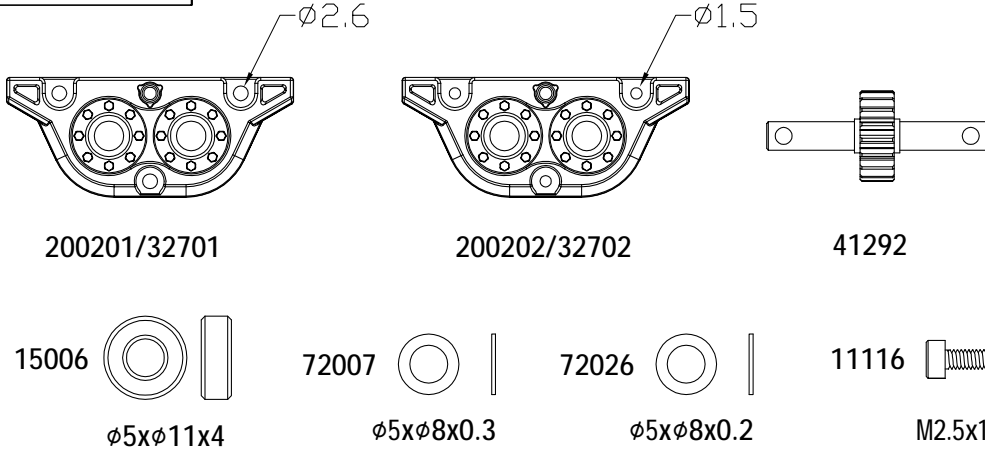
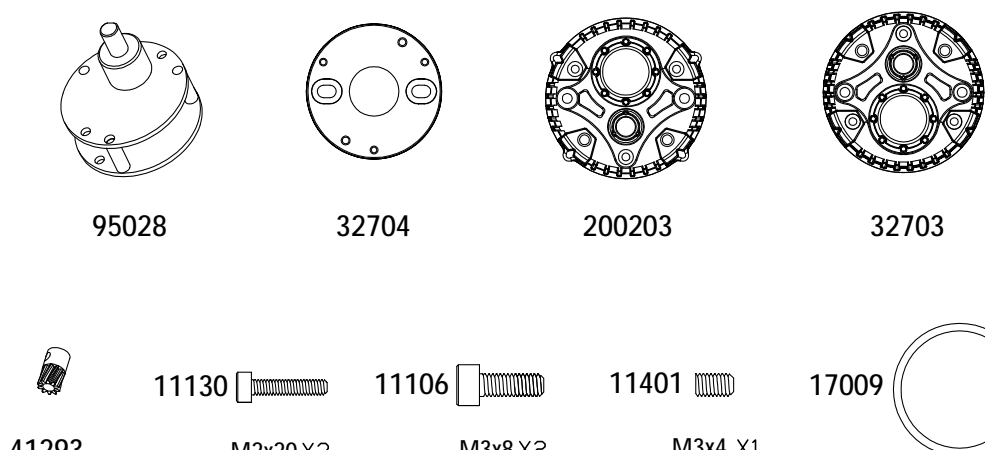
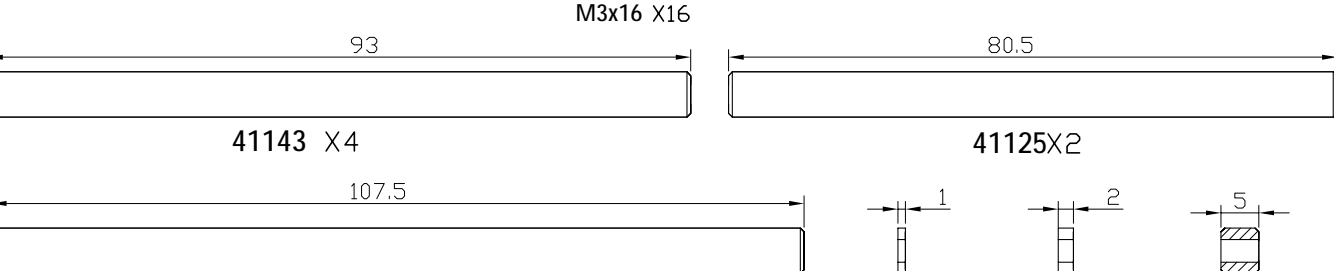
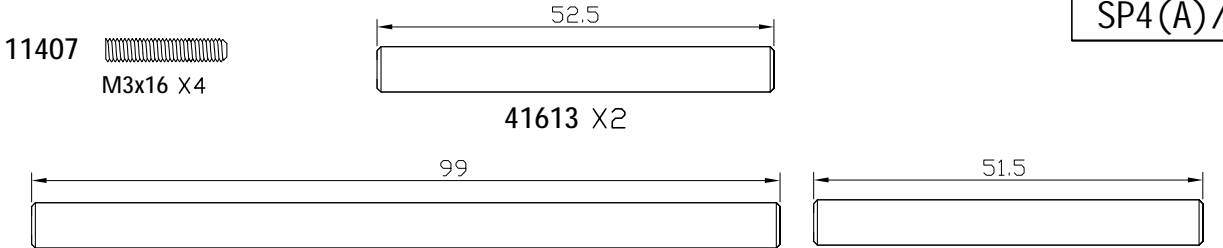
1	30310	X4
2	42319	X4
3	50031	X4
4	71157	X4
5	71156	X4
6	41312	X4
7	30307	X4
8	11116	X24
9	12105	X24
10	11120	X2
11	41209	X4

**SP4 (C)**

1	30310	X4
2	42319	X4
3	50031	X4
4	44084	X4
5	44083	X4
6	41375	X4
7	205201	X4
8	11134	X20
9	41209	X4

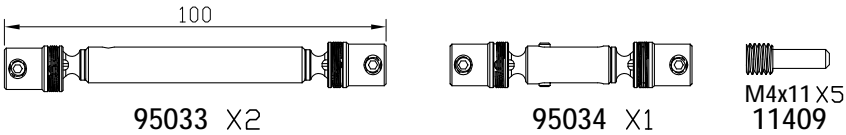
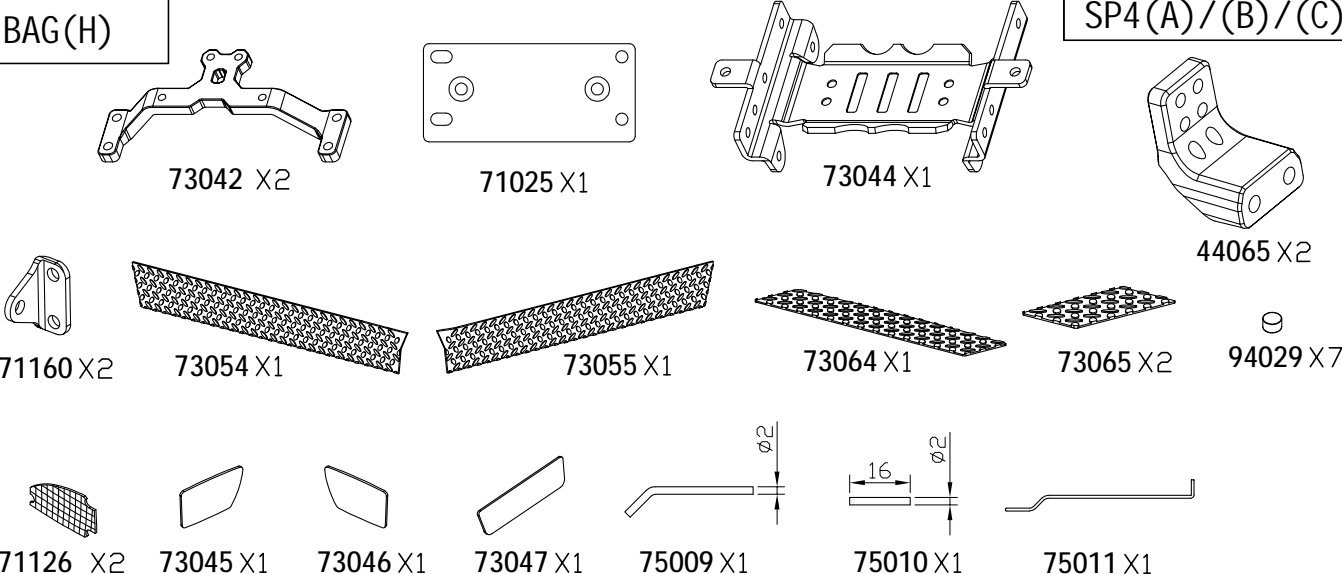
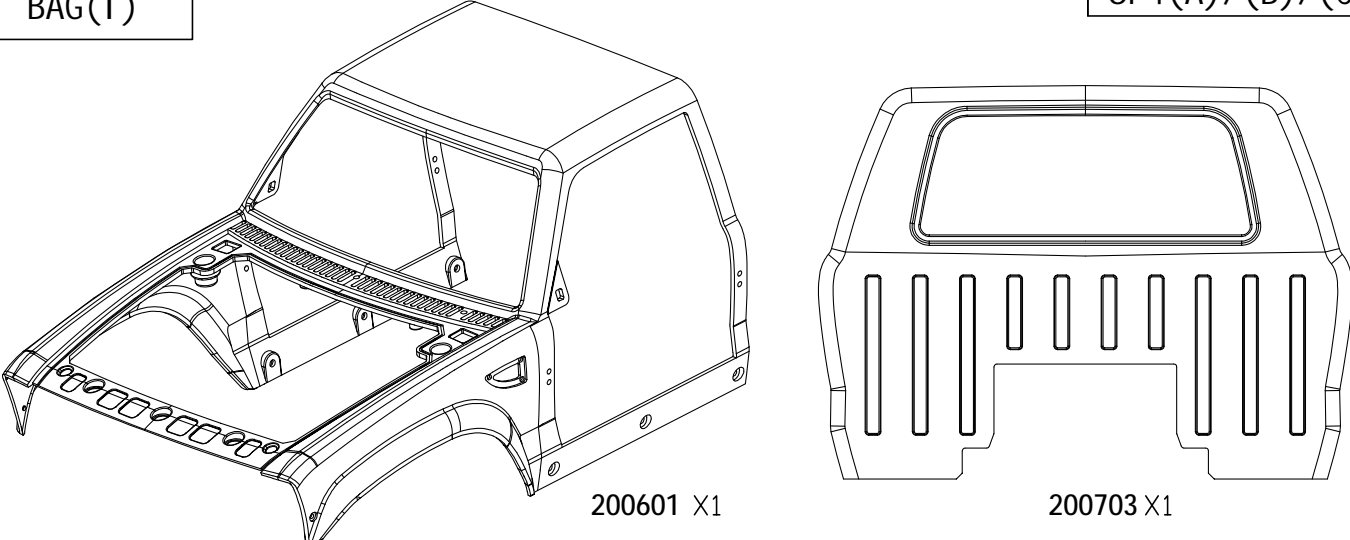
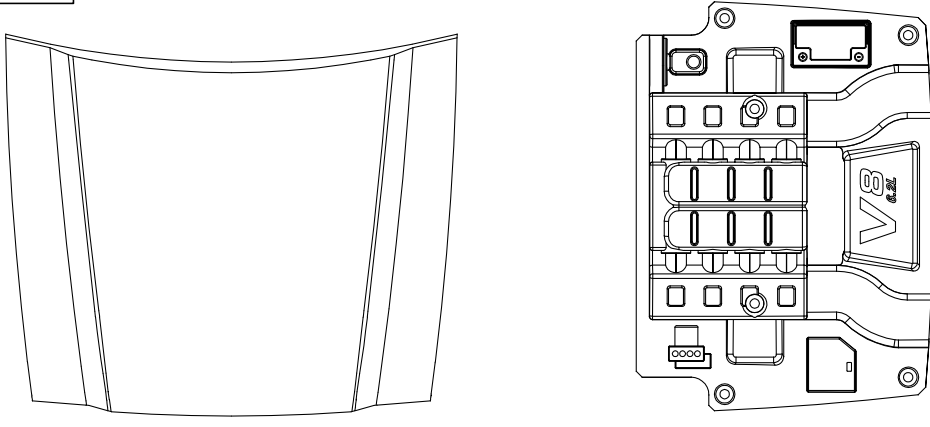


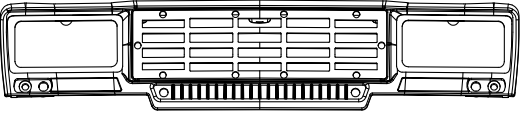
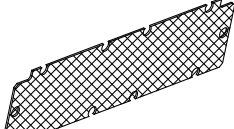
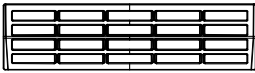
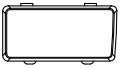
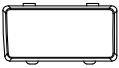
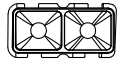
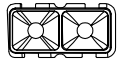
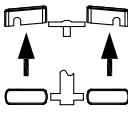

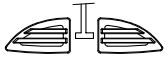

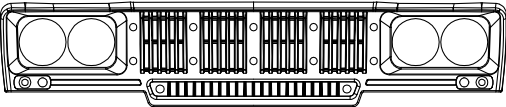
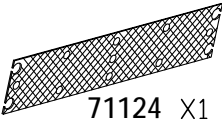
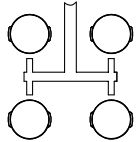
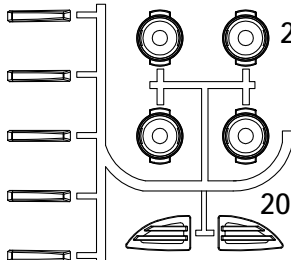
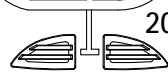
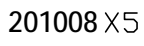
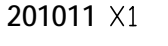
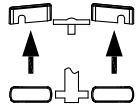
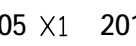
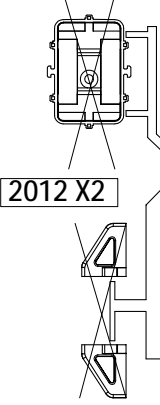

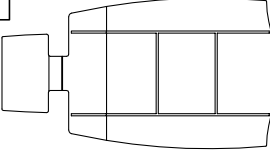
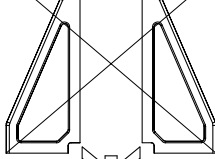
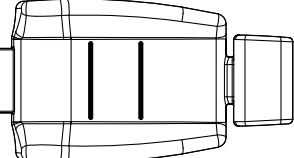
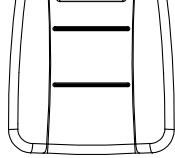
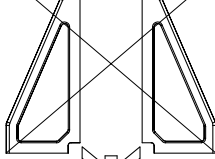
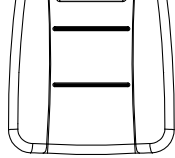
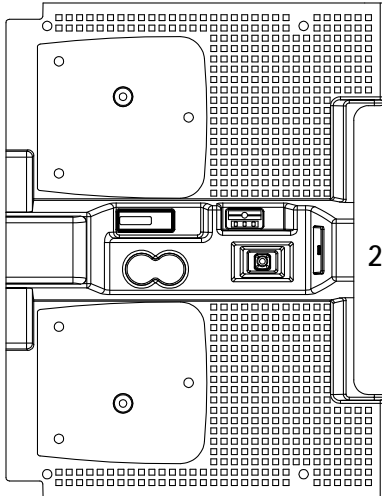

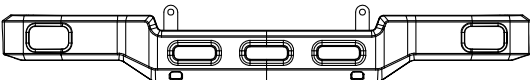
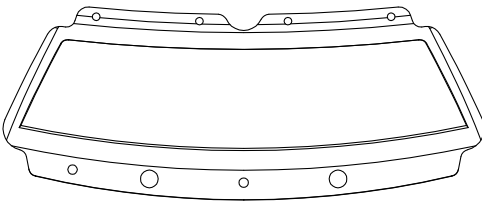
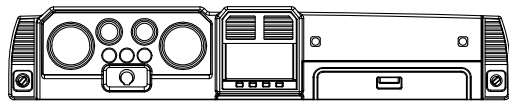


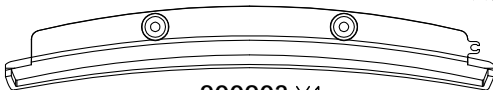
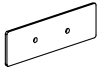
**SP4 (A) / (B) / (C)**

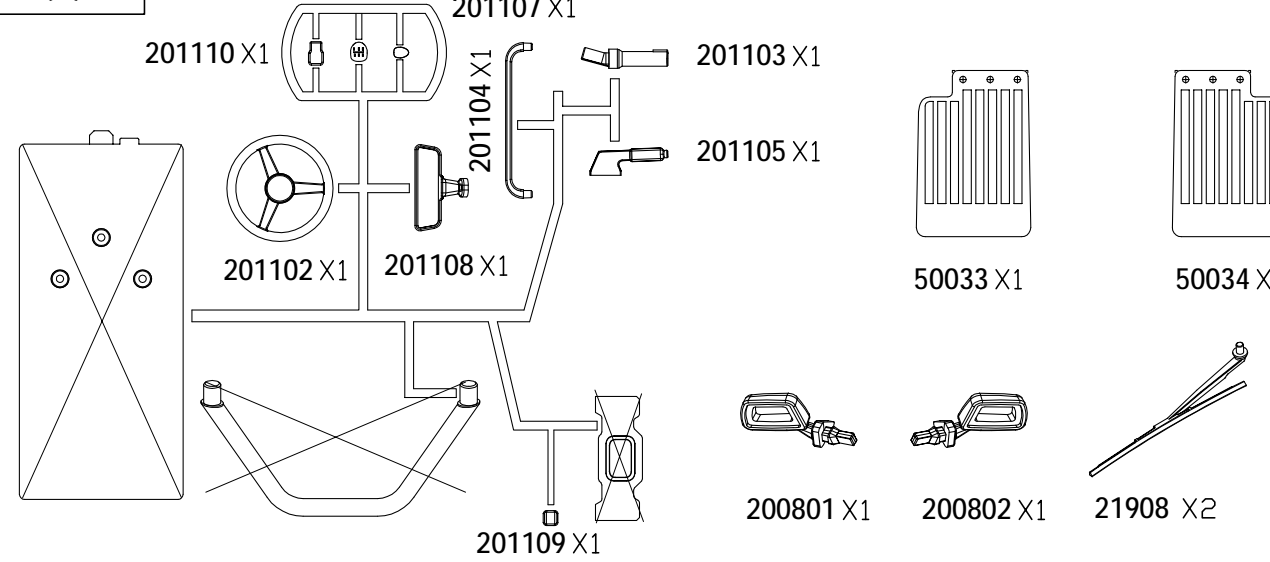
<p><b>BAG (C)</b></p>  <p>200201/32701      200202/32702      41292</p> <p>15006 <math>\phi 5 \times \phi 11 \times 4</math>      72007 <math>\phi 5 \times \phi 8 \times 0.3</math>      72026 <math>\phi 5 \times \phi 8 \times 0.2</math>      11116 M2.5x12</p>	<p><b>SP4 (A)</b></p> <table border="1"> <tr><td>1</td><td>200201</td><td>X1</td></tr> <tr><td>2</td><td>200202</td><td>X1</td></tr> <tr><td>3</td><td>41292</td><td>X2</td></tr> <tr><td>4</td><td>15006</td><td>X4</td></tr> <tr><td>5</td><td>72026</td><td>X4</td></tr> <tr><td>6</td><td>11116</td><td>X3</td></tr> </table> <p><b>SP4 (B) / (C)</b></p> <table border="1"> <tr><td>1</td><td>32701</td><td>X1</td></tr> <tr><td>2</td><td>32702</td><td>X1</td></tr> <tr><td>3</td><td>41292</td><td>X2</td></tr> <tr><td>4</td><td>15006</td><td>X4</td></tr> <tr><td>5</td><td>72007</td><td>X4</td></tr> <tr><td>6</td><td>11116</td><td>X3</td></tr> </table>	1	200201	X1	2	200202	X1	3	41292	X2	4	15006	X4	5	72026	X4	6	11116	X3	1	32701	X1	2	32702	X1	3	41292	X2	4	15006	X4	5	72007	X4	6	11116	X3												
1	200201	X1																																															
2	200202	X1																																															
3	41292	X2																																															
4	15006	X4																																															
5	72026	X4																																															
6	11116	X3																																															
1	32701	X1																																															
2	32702	X1																																															
3	41292	X2																																															
4	15006	X4																																															
5	72007	X4																																															
6	11116	X3																																															
<p><b>BAG (D)</b></p>  <p>95028      32704      200203      32703</p> <p>41293      11130 M2x20 X3      11106 M3x8 X2      11401 M3x4 X1      17009 <math>\phi 35 \times \phi 2 \times 1</math></p>	<p><b>SP4 (A)</b></p> <table border="1"> <tr><td>1</td><td>95028</td><td>X1</td></tr> <tr><td>2</td><td>32704</td><td>X1</td></tr> <tr><td>3</td><td>200203</td><td>X1</td></tr> <tr><td>4</td><td>41293</td><td>X1</td></tr> <tr><td>5</td><td>11130</td><td>X3</td></tr> <tr><td>6</td><td>17009</td><td>X1</td></tr> <tr><td>7</td><td>11106</td><td>X2</td></tr> <tr><td>8</td><td>11401</td><td>X1</td></tr> </table> <p><b>SP4 (B) / (C)</b></p> <table border="1"> <tr><td>1</td><td>95028</td><td>X1</td></tr> <tr><td>2</td><td>32704</td><td>X1</td></tr> <tr><td>3</td><td>32703</td><td>X1</td></tr> <tr><td>4</td><td>41293</td><td>X1</td></tr> <tr><td>5</td><td>11130</td><td>X3</td></tr> <tr><td>6</td><td>17009</td><td>X1</td></tr> <tr><td>7</td><td>11106</td><td>X2</td></tr> <tr><td>8</td><td>11401</td><td>X1</td></tr> </table>	1	95028	X1	2	32704	X1	3	200203	X1	4	41293	X1	5	11130	X3	6	17009	X1	7	11106	X2	8	11401	X1	1	95028	X1	2	32704	X1	3	32703	X1	4	41293	X1	5	11130	X3	6	17009	X1	7	11106	X2	8	11401	X1
1	95028	X1																																															
2	32704	X1																																															
3	200203	X1																																															
4	41293	X1																																															
5	11130	X3																																															
6	17009	X1																																															
7	11106	X2																																															
8	11401	X1																																															
1	95028	X1																																															
2	32704	X1																																															
3	32703	X1																																															
4	41293	X1																																															
5	11130	X3																																															
6	17009	X1																																															
7	11106	X2																																															
8	11401	X1																																															
<p><b>BAG (E)</b></p>  <p>41143 X4      41125 X2</p> <p>41609 X2      41168 X2      41161 X6      41126 X2</p>	<p><b>SP4 (A) / (B) / (C)</b></p>																																																
<p>11407 M3x16 X4</p>  <p>41613 X2</p> <p>41600 X1      41601 X1</p>	<p><b>SP4 (A) / (B) / (C)</b></p>																																																

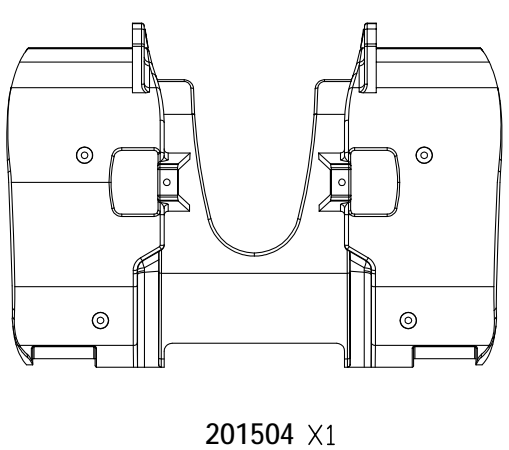
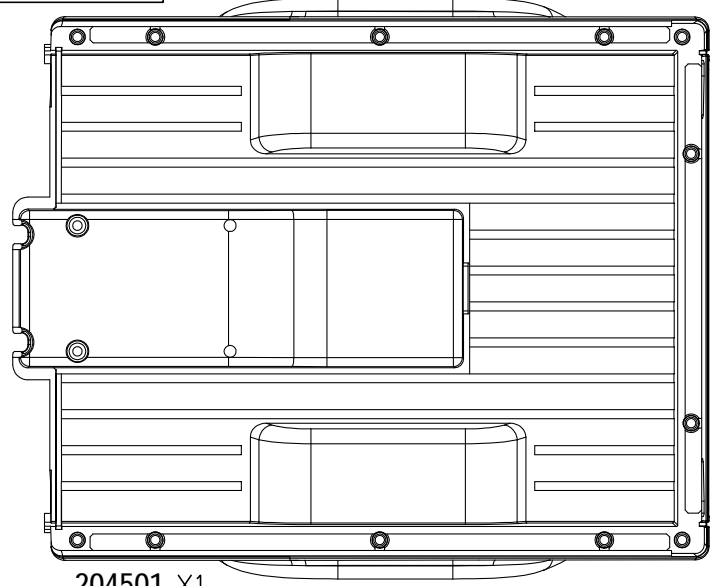
<b>BAG(F)</b>			<b>SP4(A)/(B)</b>	
				<b>SP4(C)</b>
				<b>SP4(A)/(B)/(C)</b>
				<b>SP4(A)</b>
		<b>SP4(B)/(C)</b>		

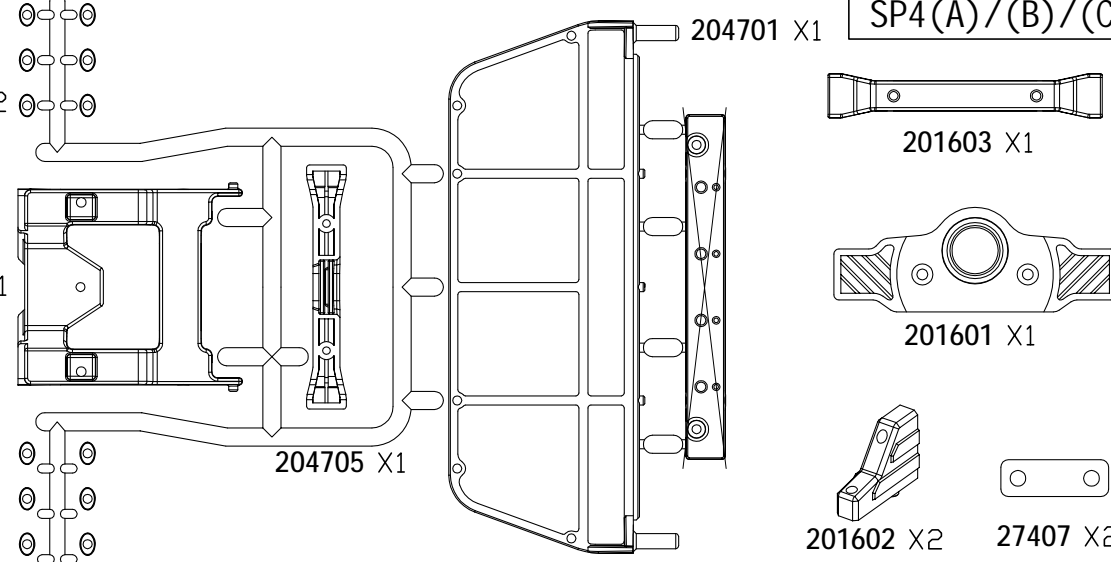


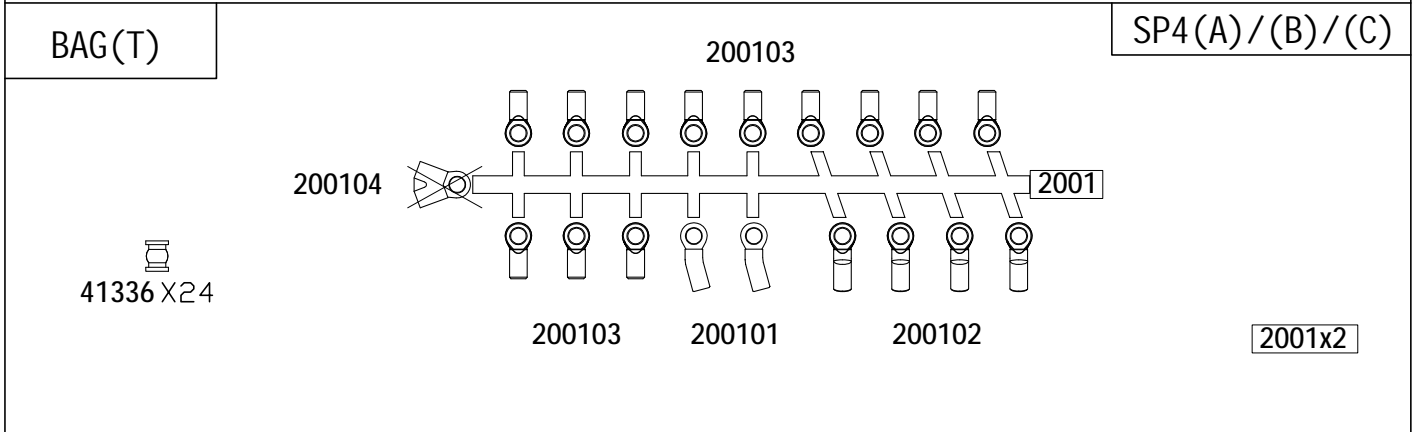
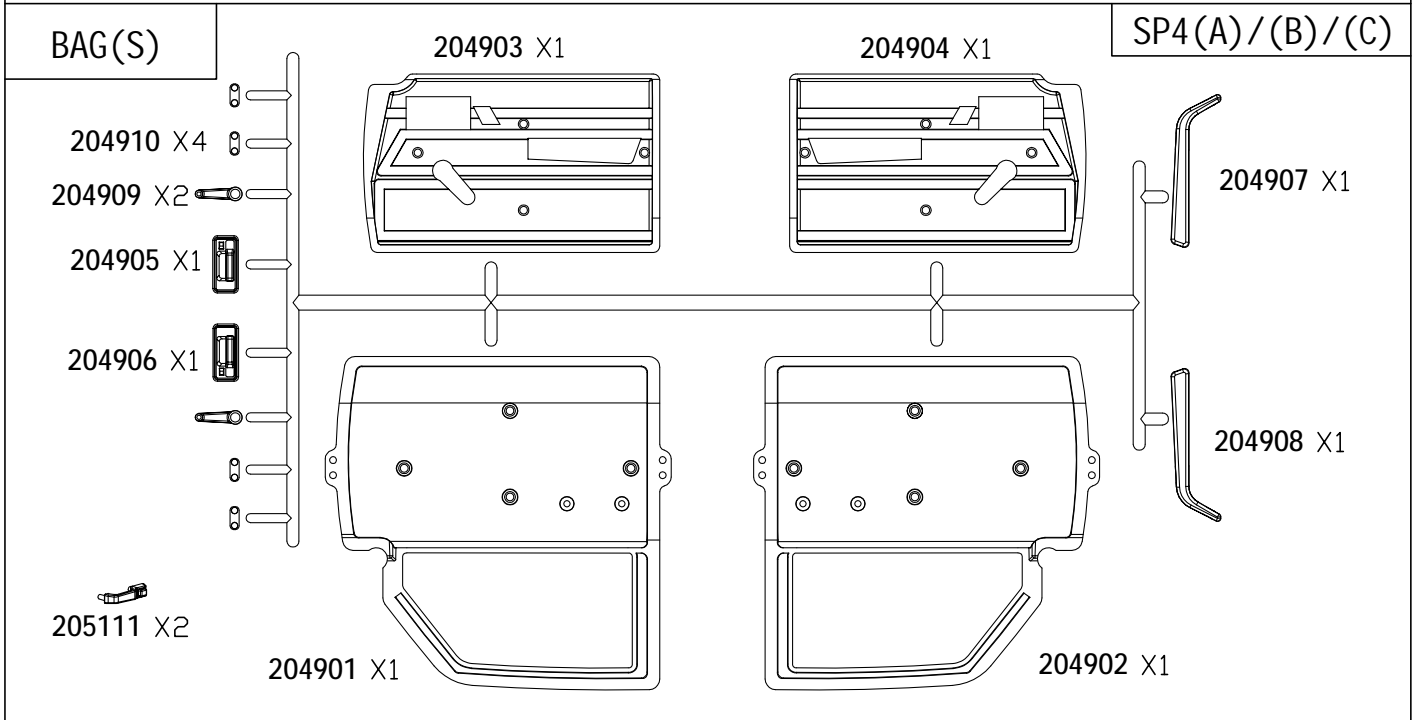
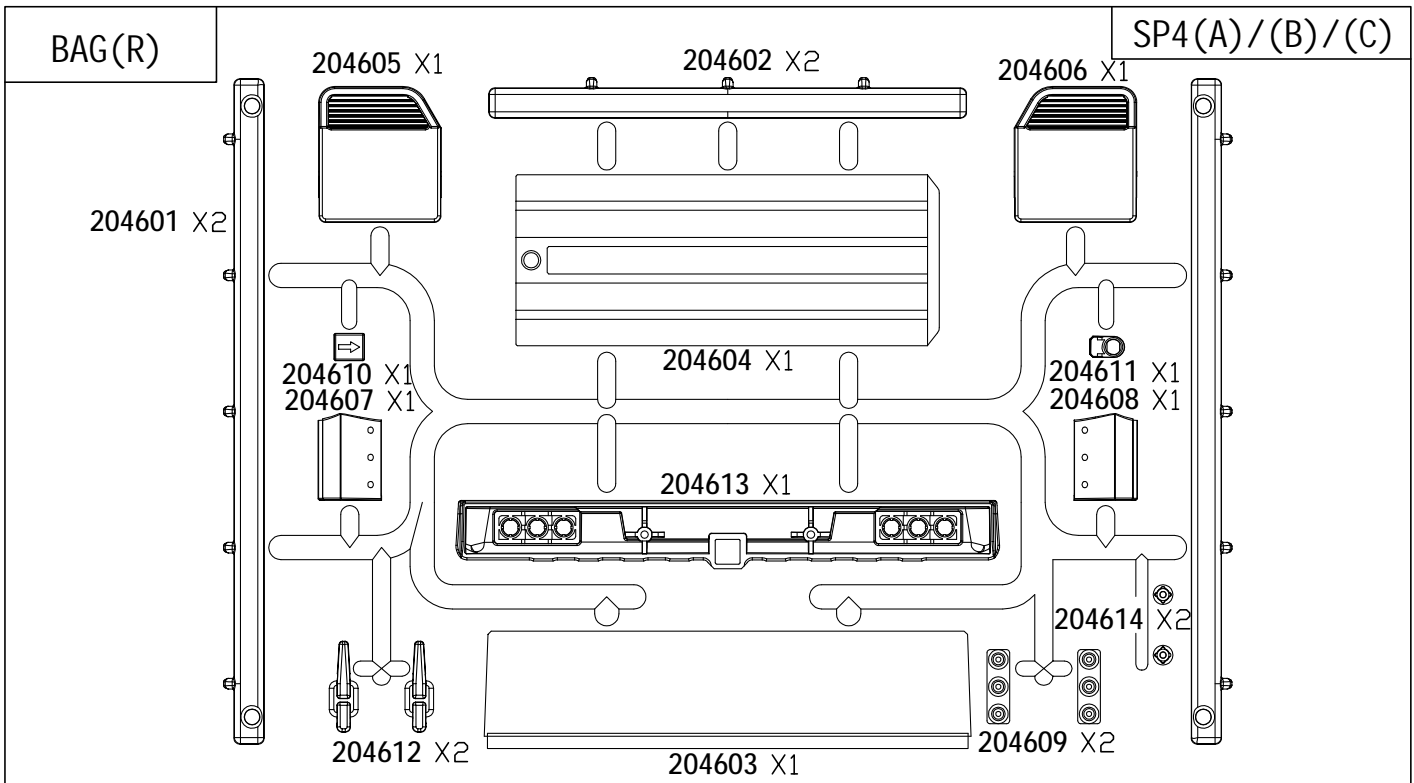
BAG(G)	 <p>95033 X2      95034 X1      M4x11 X5 11409      M4x4 X1 11405</p>	SP4(A)/(B)/(C)
BAG(H)	 <p>73042 X2      71025 X1      73044 X1      44065 X2</p> <p>71160 X2      73054 X1      73055 X1      73064 X1      73065 X2      94029 X7</p> <p>71126 X2      73045 X1      73046 X1      73047 X1      75009 X1      75010 X1      75011 X1</p>	SP4(A)/(B)/(C)
BAG(I)	 <p>200601 X1      200703 X1</p>	SP4(A)/(B)/(C)
BAG(J)	 <p>200701 X1      200704 X1</p>	SP4(A)/(B)/(C)

<p>BAG(K)</p>				<p>SP4(A)(B)</p>
 <p>200905 X1</p>  <p>71125 X1</p>	 <p>201005</p>  <p>201407 X1</p>  <p>201408 X1</p>	 <p>201013</p>  <p>201014</p>  <p>201405 X1</p>  <p>201404 X1</p>	 <p>201011 X1</p>  <p>201010 X1</p>	
<hr/>				
 <p>200907 X1</p>  <p>71124 X1</p>	 <p>201402 X4</p>  <p>201009 X4</p>  <p>201010 X1</p>  <p>201008 X5</p>  <p>201011 X1</p>	 <p>201405 X1</p>  <p>201404 X1</p>	<p>SP4(C)</p>	
<p>BAG(L)</p>	<p>201203</p>	<p>SP4(A)/(B)/(C)</p>		
 <p>2012 X2</p>  <p>2012</p>	   <p>201202</p>  <p>201201</p>	  <p>201202</p> <p>201201</p>	 <p>201304 X1</p>	
<p>BAG(M)</p>			<p>SP4(A)/(B)/(C)</p>	
 <p>63701 X1</p>  <p>200906 X1</p>	 <p>201401 X1</p>  <p>200902 X1</p>	 <p>21214(RED) X2</p> <p>21215(YELLOW) X2</p> <p>21204(TRANSPARENT) X2</p>  <p>21217 X2</p>  <p>200903 X1</p>  <p>63702 X1</p>	<p>SP4(A)/(B)/(C)</p>	

BAG(N)	201106 X1		SP4(A)/(B)/(C)	
				

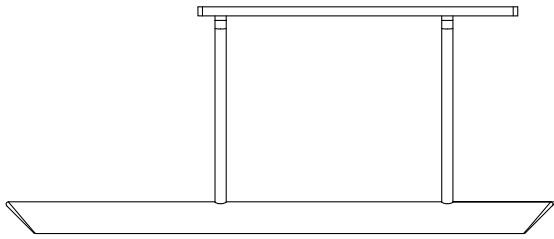
BAG(O)	SP4(A)/(B)/(C)	BAG(P)	SP4(A)/(B)/(C)
			

BAG(Q)	204704 X12		SP4(A)/(B)/(C)	
				

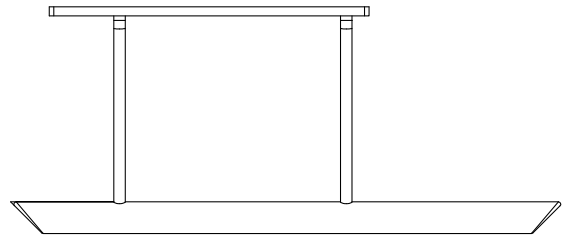


BAG(U)

SP4(A)/(B)/(C)



75005 X1

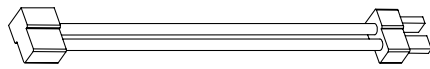


75006 X1

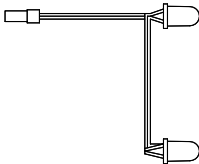
BAG(V)

SP4(A)/(B)/(C)

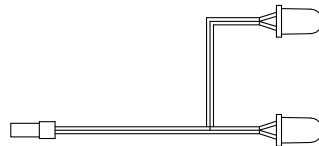
SP4(B)/(C)



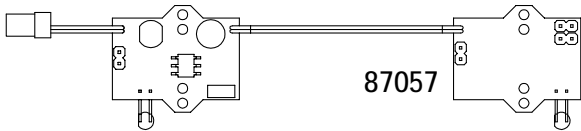
86056



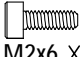
87078

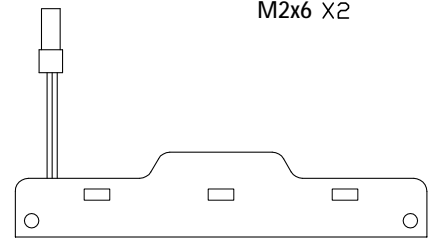


87080



87057


11102  M2x6 X2

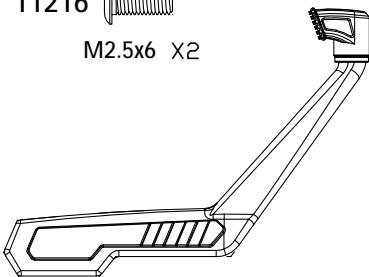


87059

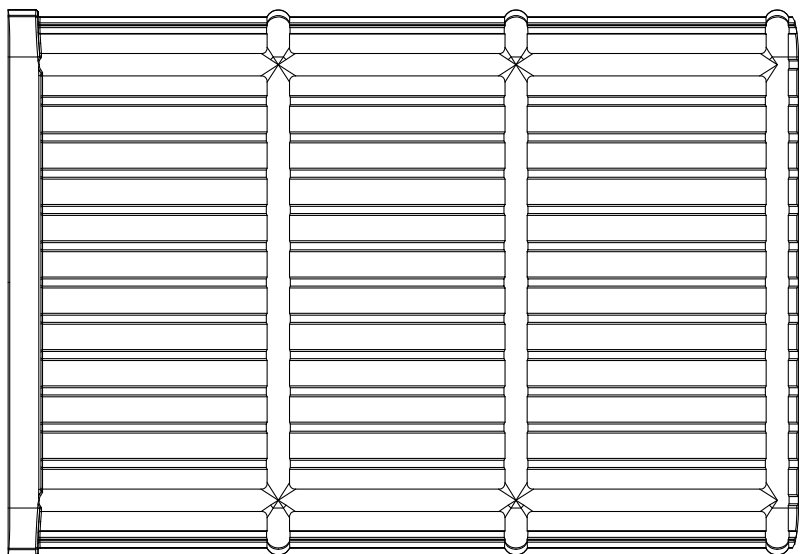
BAG(W)

SP4(C)

11216  M2.5x6 X2



202401 X1



204801 X1

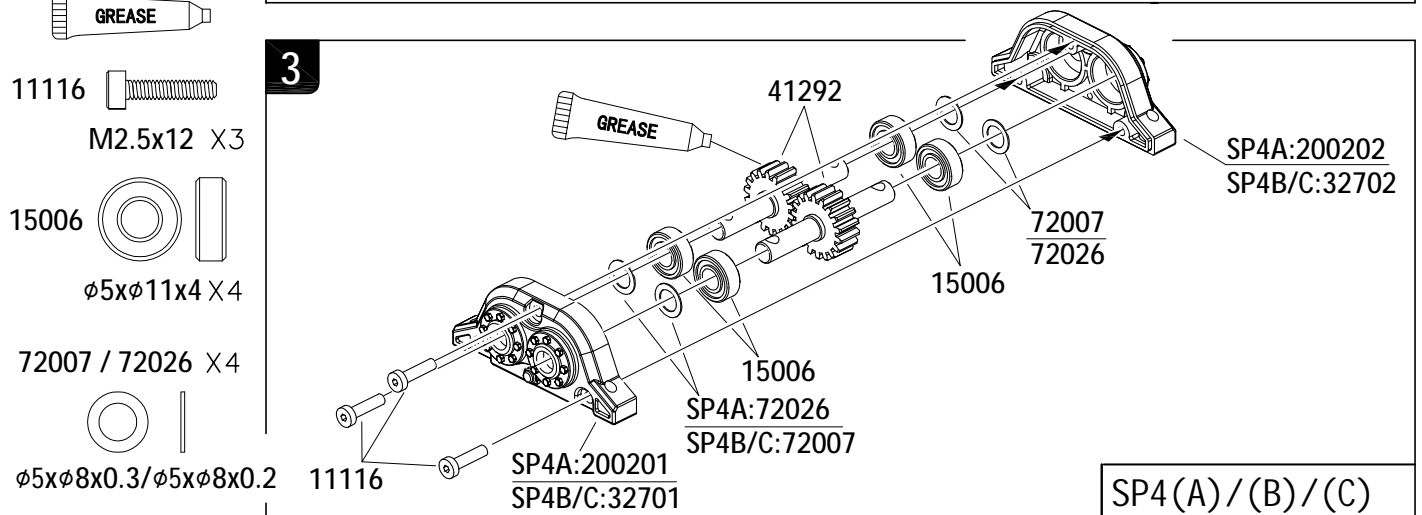
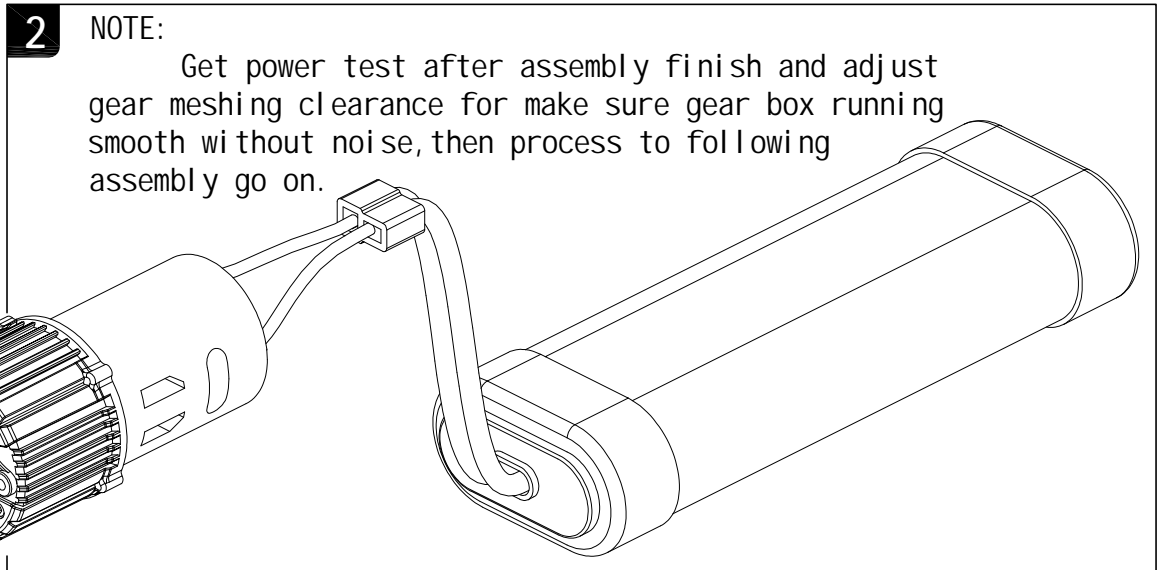
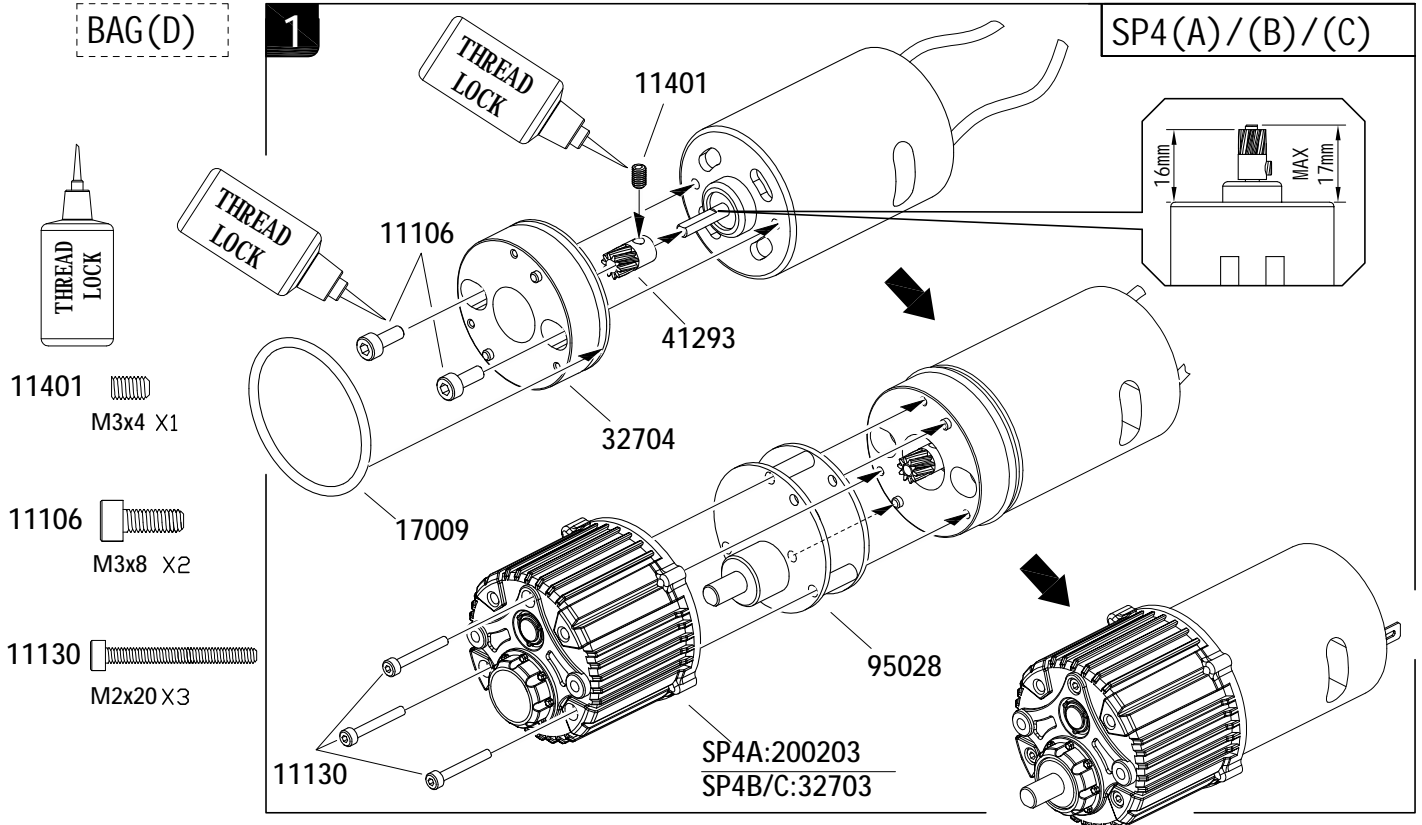
<b>BAG(X)</b>		<b>SP4(B)/(C)</b>
	41605 X1	41608 X4
	41606 X2	11108  M3x12 X2
	41607 X2	11312  M3x11 X16

<b>BAG(Y)</b>		<b>SP4(A)/(B)/(C)</b>																								
<table style="width: 100%; text-align: center;"> <tr> <td>11105  M3x6 X4</td> <td>11106  M3x8 X31</td> <td>11107  M3x10 X4</td> <td>11108  M3x12 X16</td> <td>11109  M3x14 X4</td> <td>11112  M3x20 X6</td> </tr> <tr> <td>11113  M3x22 X4</td> <td>11114  M3x25 X4</td> <td>11206  M3x8 X20</td> <td>11211  M3x18 X4</td> <td>11303  M3x8 X17</td> <td>11127  M2.5x7 X2</td> </tr> <tr> <td>11216  M2.5x6 X1</td> <td>11102  M2x6 X6</td> <td>12203  M3 X14</td> <td>12204  M4 X4</td> <td>14102  Ø3xØ7x0.5 X4</td> <td>14105  Ø5xØ2.5x0.4 X1</td> </tr> <tr> <td></td> <td></td> <td></td> <td></td> <td></td> <td>17004  Ø5xØ3xØ1 X1</td> </tr> </table>			11105  M3x6 X4	11106  M3x8 X31	11107  M3x10 X4	11108  M3x12 X16	11109  M3x14 X4	11112  M3x20 X6	11113  M3x22 X4	11114  M3x25 X4	11206  M3x8 X20	11211  M3x18 X4	11303  M3x8 X17	11127  M2.5x7 X2	11216  M2.5x6 X1	11102  M2x6 X6	12203  M3 X14	12204  M4 X4	14102  Ø3xØ7x0.5 X4	14105  Ø5xØ2.5x0.4 X1						17004  Ø5xØ3xØ1 X1
11105  M3x6 X4	11106  M3x8 X31	11107  M3x10 X4	11108  M3x12 X16	11109  M3x14 X4	11112  M3x20 X6																					
11113  M3x22 X4	11114  M3x25 X4	11206  M3x8 X20	11211  M3x18 X4	11303  M3x8 X17	11127  M2.5x7 X2																					
11216  M2.5x6 X1	11102  M2x6 X6	12203  M3 X14	12204  M4 X4	14102  Ø3xØ7x0.5 X4	14105  Ø5xØ2.5x0.4 X1																					
					17004  Ø5xØ3xØ1 X1																					

<b>BAG(AA)</b>		<b>SP4(A)</b>									
<table style="width: 100%; text-align: center;"> <tr> <td>11117  M3x30 X2</td> <td>11113  M3x22 X2</td> <td>11114  M3x25 X1</td> </tr> <tr> <td></td> <td>11111  M3x18 X1</td> <td>11109  M3x14 X1</td> </tr> <tr> <td></td> <td></td> <td>12203  M3 X7</td> </tr> </table>			11117  M3x30 X2	11113  M3x22 X2	11114  M3x25 X1		11111  M3x18 X1	11109  M3x14 X1			12203  M3 X7
11117  M3x30 X2	11113  M3x22 X2	11114  M3x25 X1									
	11111  M3x18 X1	11109  M3x14 X1									
		12203  M3 X7									

<b>BAG(BB)</b>		<b>SP4(B)</b>									
<table style="width: 100%; text-align: center;"> <tr> <td>11115  M3x28 X2</td> <td>11111  M3x18 X3</td> <td>11114  M3x25 X1</td> </tr> <tr> <td></td> <td>11102  M2x6 X6</td> <td>11109  M3x14 X1</td> </tr> <tr> <td></td> <td></td> <td>12203  M3 X7</td> </tr> </table>			11115  M3x28 X2	11111  M3x18 X3	11114  M3x25 X1		11102  M2x6 X6	11109  M3x14 X1			12203  M3 X7
11115  M3x28 X2	11111  M3x18 X3	11114  M3x25 X1									
	11102  M2x6 X6	11109  M3x14 X1									
		12203  M3 X7									


<b>BAG(CC)</b>		<b>SP4(C)</b>					
<table style="width: 100%; text-align: center;"> <tr> <td>11109  M3x14 X4</td> <td>11115  M3x28 X2</td> <td>11113  M3x22 X1</td> <td>11102  M2x6 X6</td> <td>12203  M3 X5</td> </tr> </table>			11109  M3x14 X4	11115  M3x28 X2	11113  M3x22 X1	11102  M2x6 X6	12203  M3 X5
11109  M3x14 X4	11115  M3x28 X2	11113  M3x22 X1	11102  M2x6 X6	12203  M3 X5			

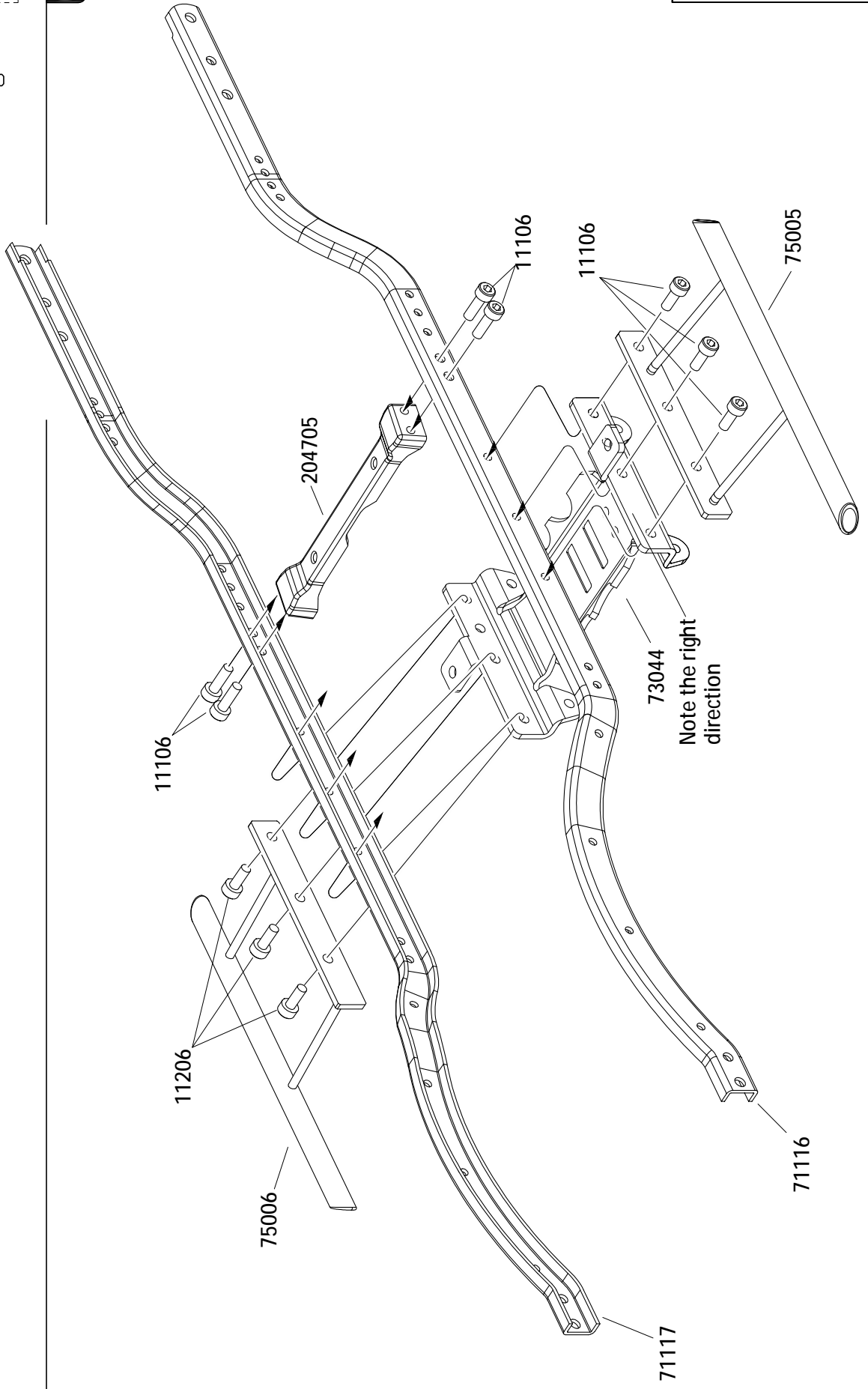


BAG(Y)

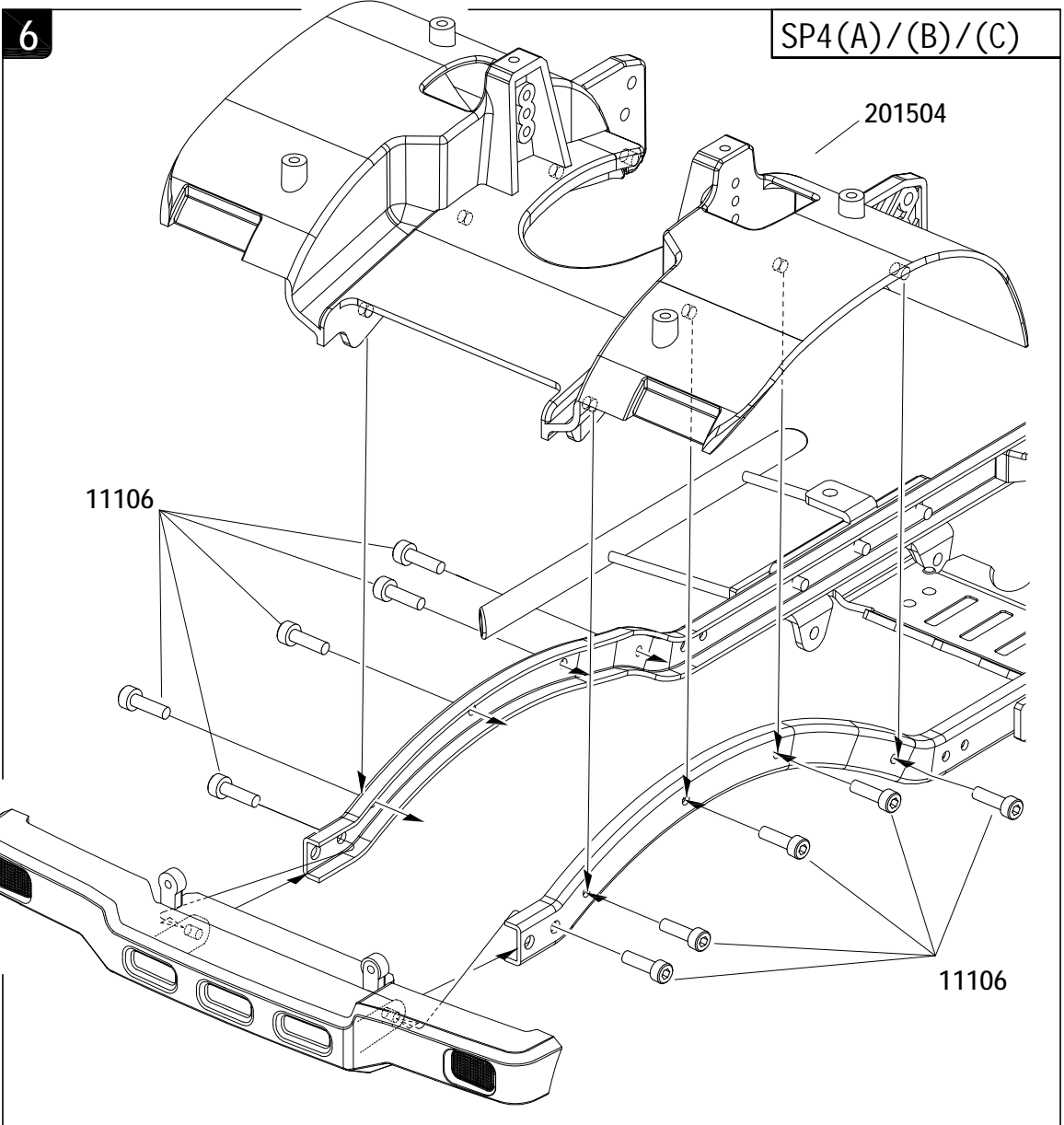
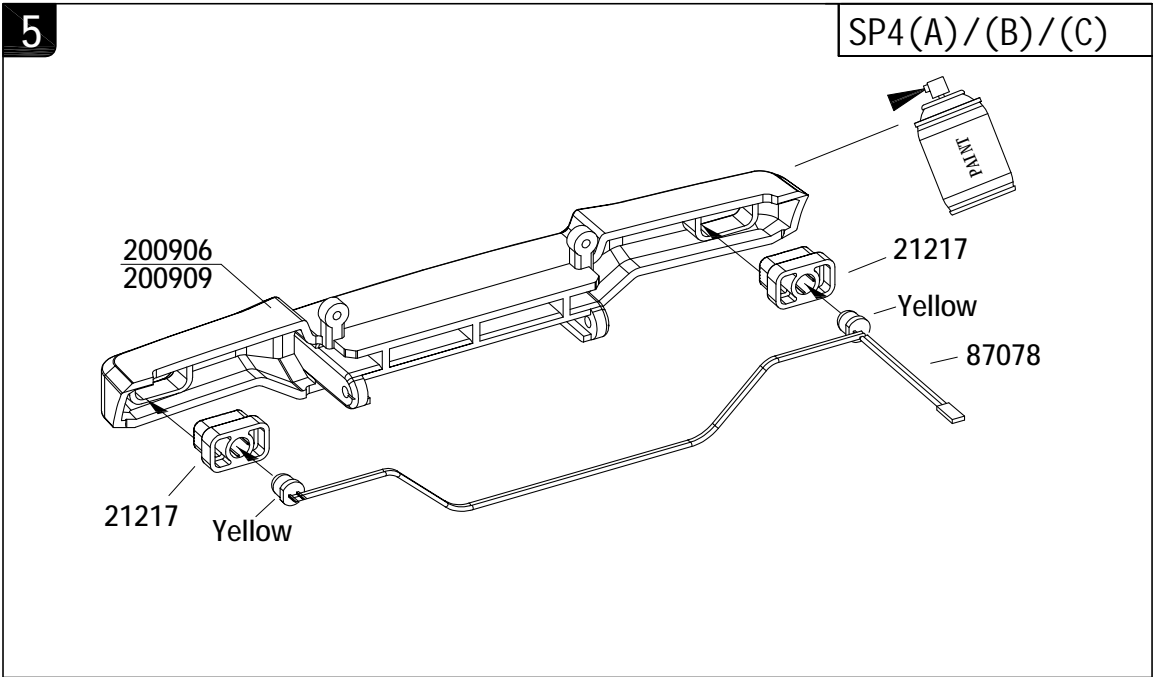
4

SP4(A)/(B)/(C)

11106   
M3x8 X10






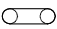



BAG(B)

7

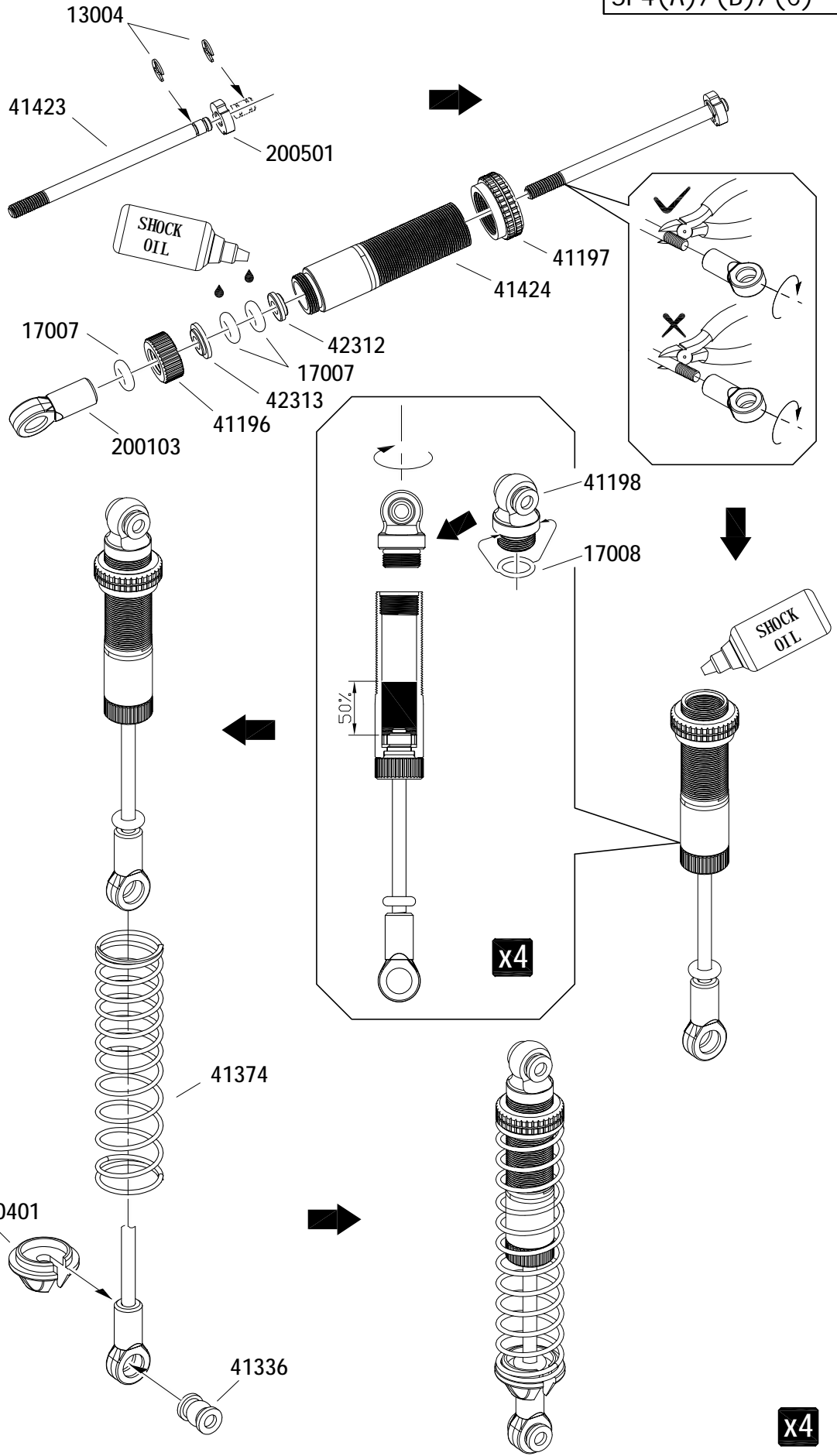
SP4(A)/(B)/(C)

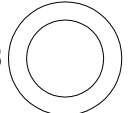
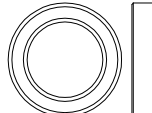

13004   $\phi 2.0 \times \phi 5.5 \times 0.4$  X8

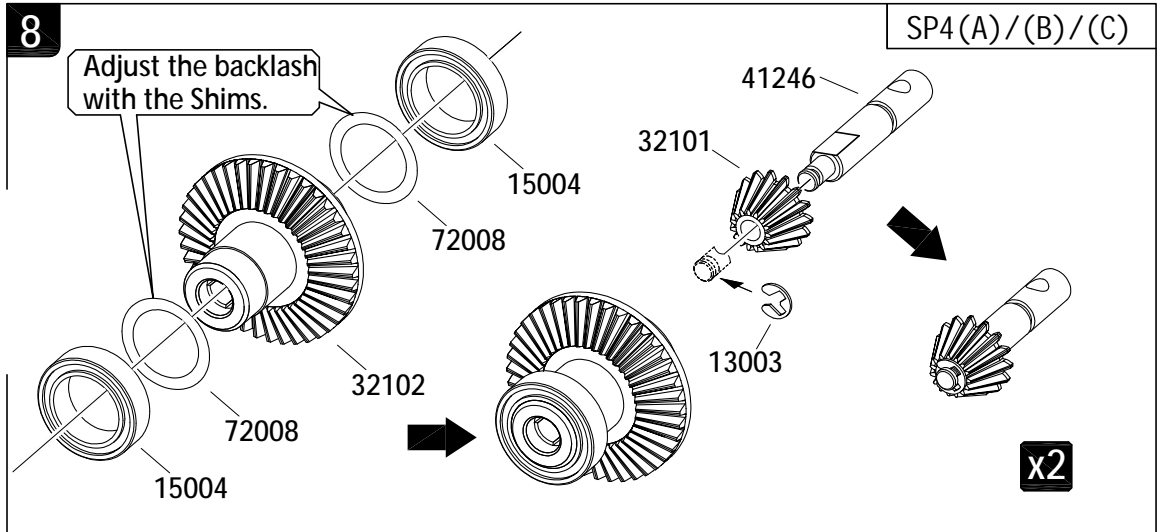
17007   $\phi 6.5 \times \phi 2.5 \times \phi 2$  X12





17008   $\phi 7 \times \phi 5 \times \phi 1$  X4

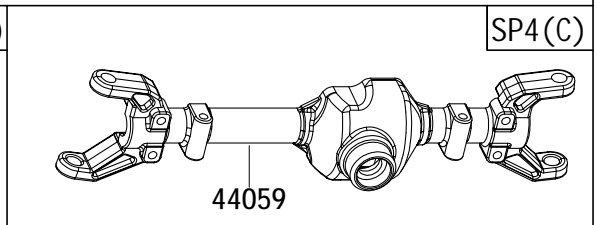
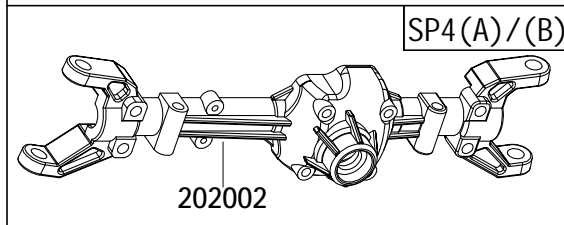
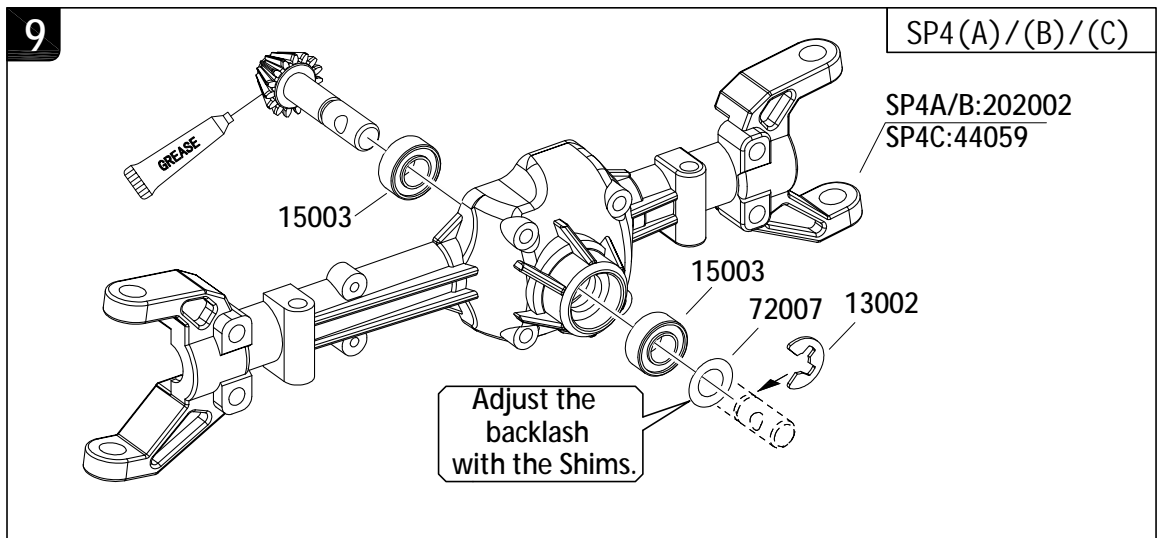
41336 X4





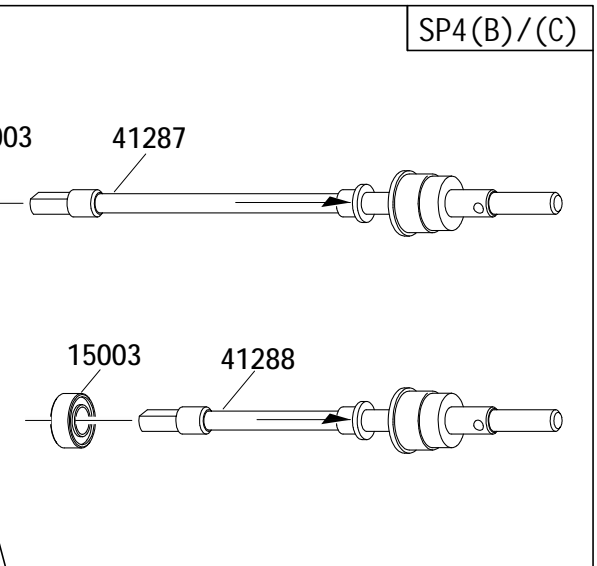
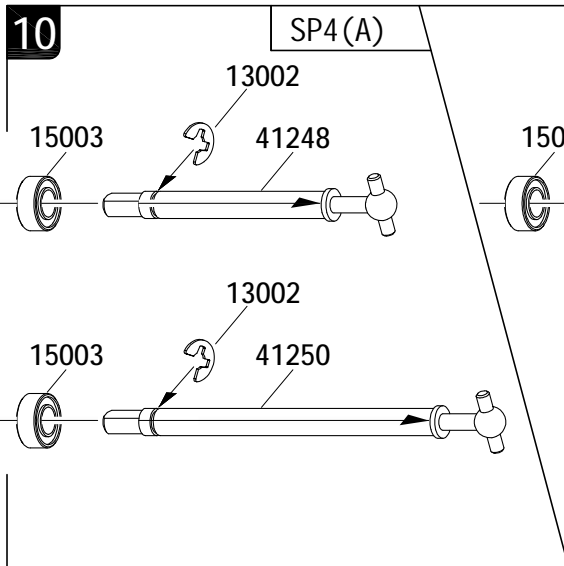
- BAG (F)**
- 72008   $\phi 10.2 \times \phi 15 \times 0.2 \times 4$
  - 15004   $\phi 10 \times \phi 15 \times 4 \times 4$
  - 13003   $\phi 2.5 \times \phi 6 \times 0.4 \times 2$



- GREASE** 
- 13002   $\phi 3.8 \times \phi 9.2 \times 0.6 \times 1$
  - 15003   $\phi 5 \times \phi 10 \times 4 \times 2$
  - 72007   $\phi 5 \times \phi 8 \times 0.3 \times 1$

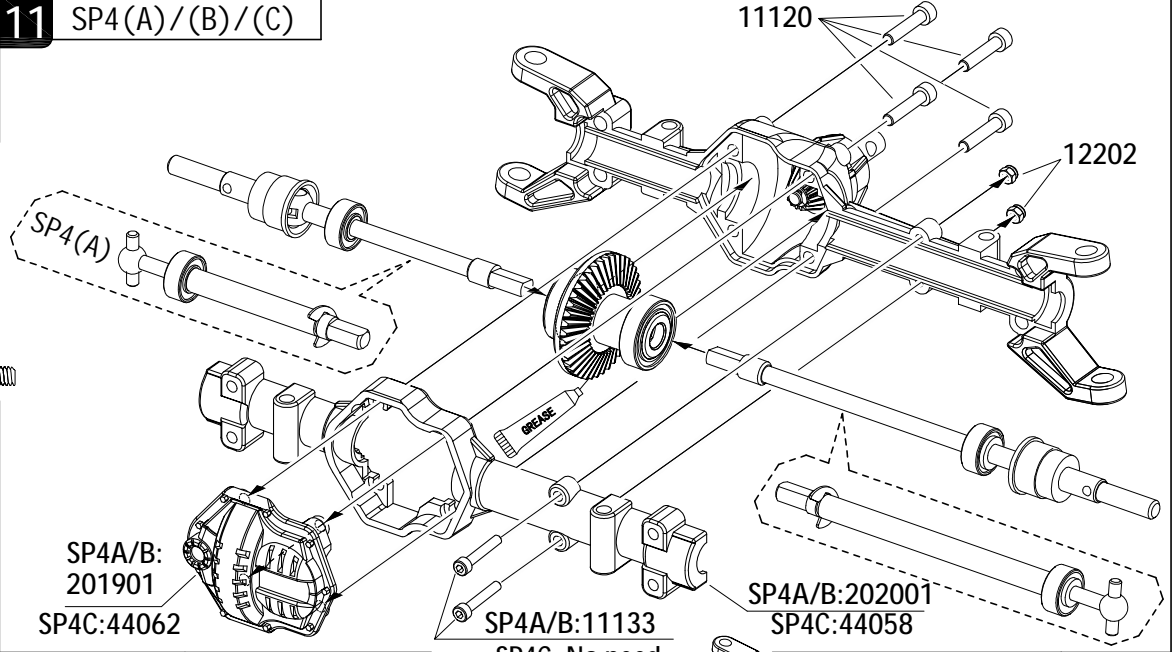


- 15003   $\phi 5 \times \phi 10 \times 4 \times 2$
- SP4(A)**
- 13002   $\phi 3.8 \times \phi 9.2 \times 0.6 \times 2$

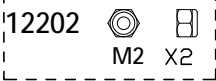
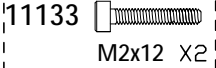
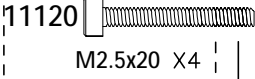


BAG(F)

**11** SP4(A)/(B)/(C)



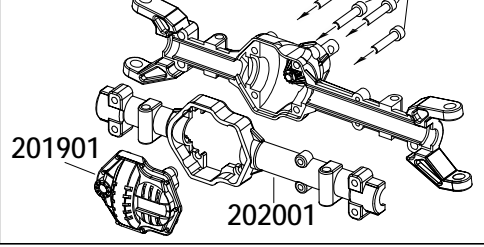
SP4(A)/(B)



SP4(C)

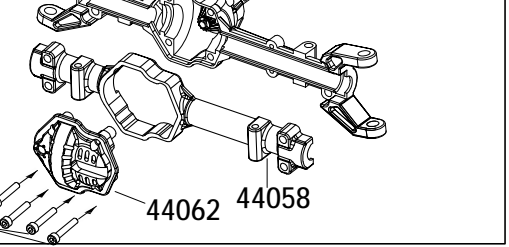


SP4(A)/(B)



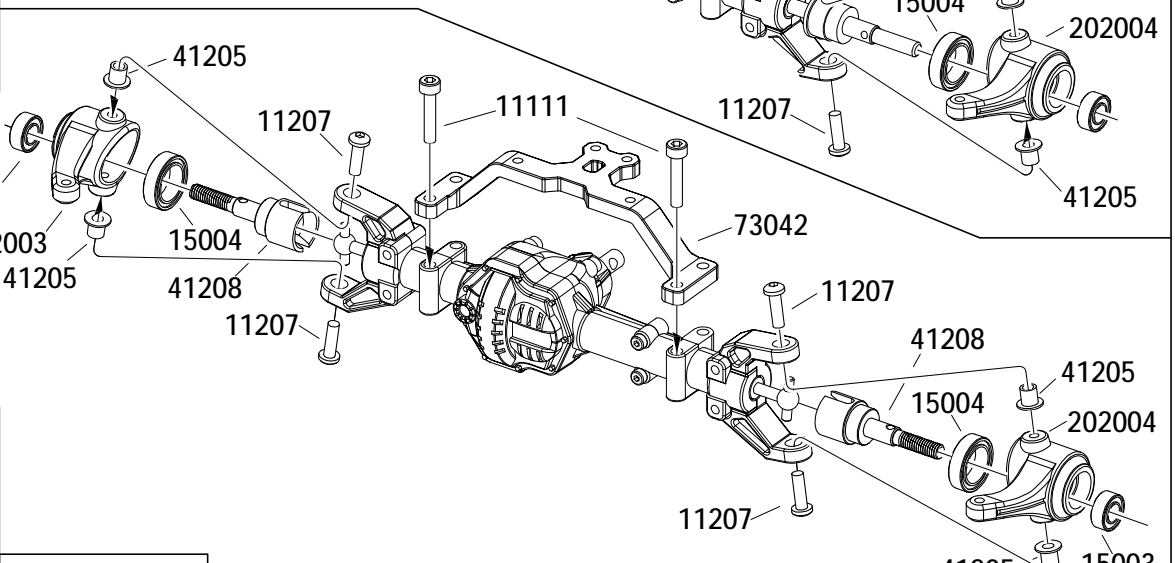
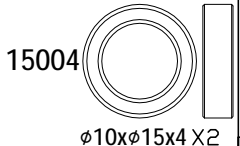
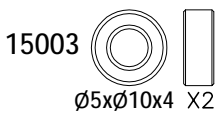
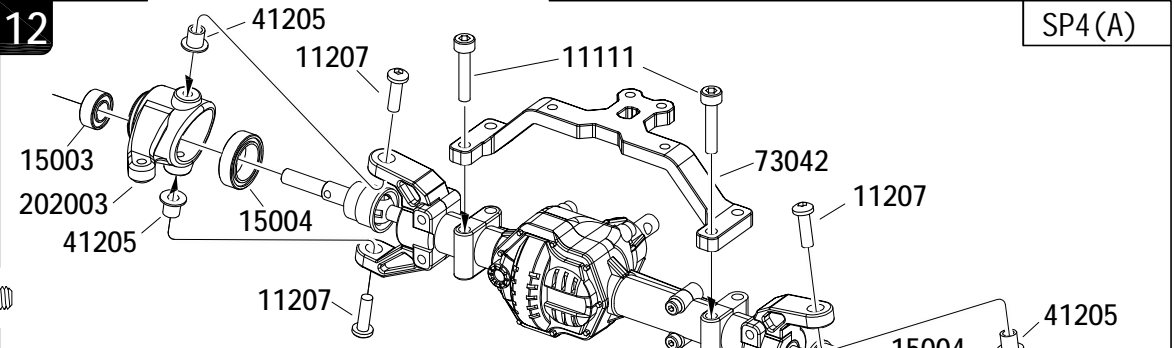
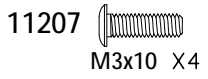
SP4C: No need

SP4(C)



**12**

SP4(A)





SP4(B)/(C)

BAG(F)

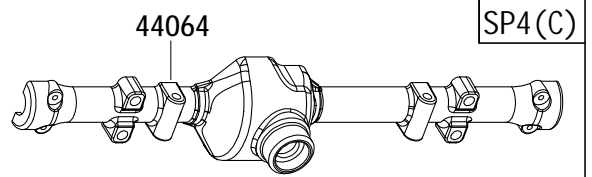
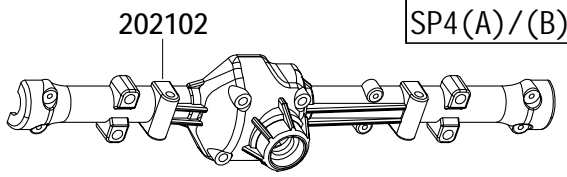
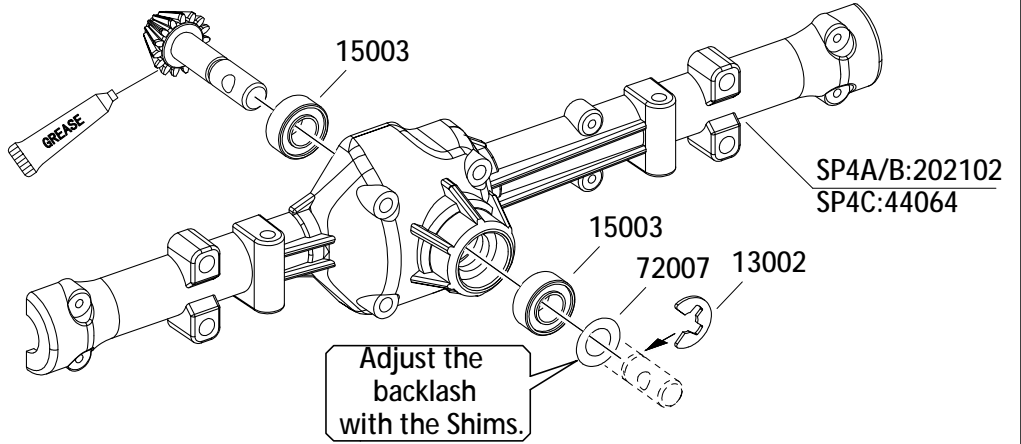
13


SP4(A)/(B)/(C)

13002   
 Ø3.8xØ9.2x0.6 X1

15003   
 Ø5xØ10x4 X2

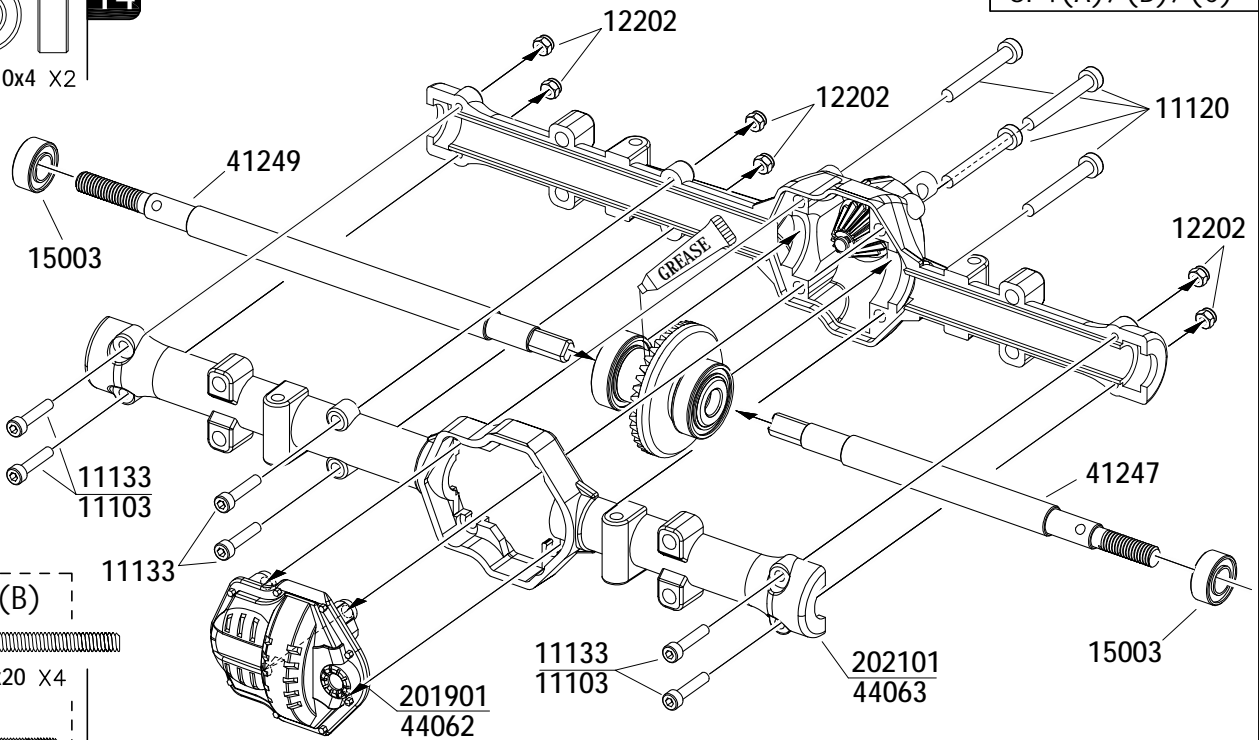
72007   
 Ø5xØ8x0.3 X1

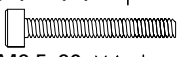


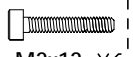
15003   
 Ø5xØ10x4 X2


14

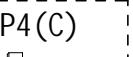
SP4(A)/(B)/(C)

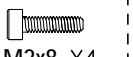


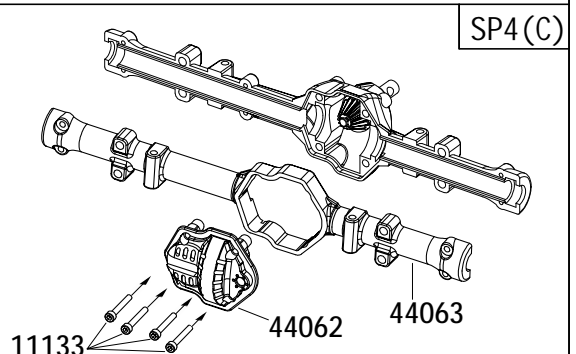
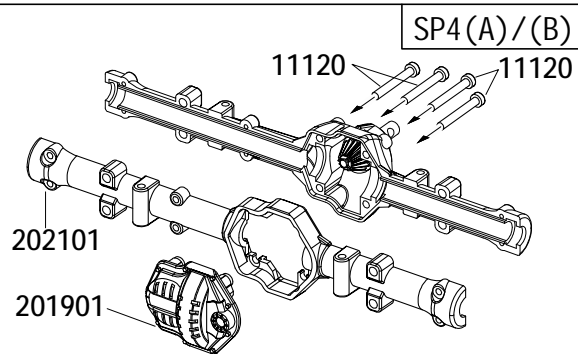
SP4(A)/(B)  
 11120   
 M2.5x20 X4

11133   
 M2x12 X6

12202   
 M2 X6

SP4(C)  
 11133   
 M2x12 X4

11103   
 M2x8 X4

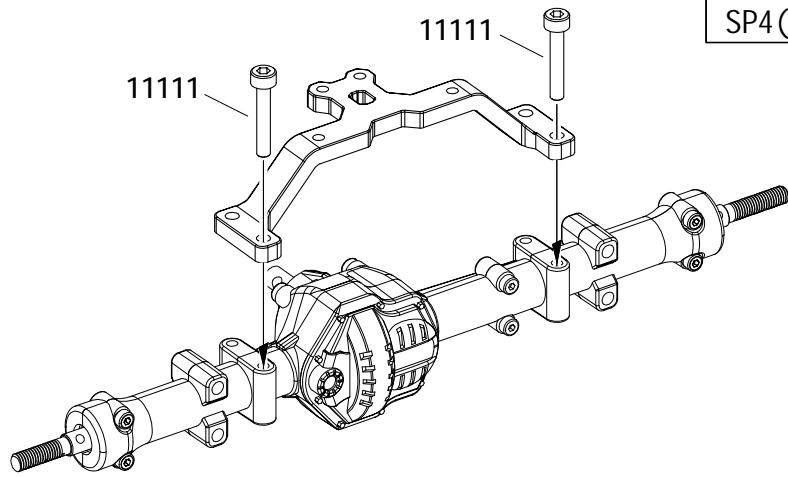


BAG(F)

15

SP4(A)/(B)/(C)

11111  
M3x18 X2



BAG(Y)

16

SP4(A)/(B)/(C)

11407  
M3x16 X8

12203  
M3 X6

11114  
M3x25 X2

11211  
M3x18 X2

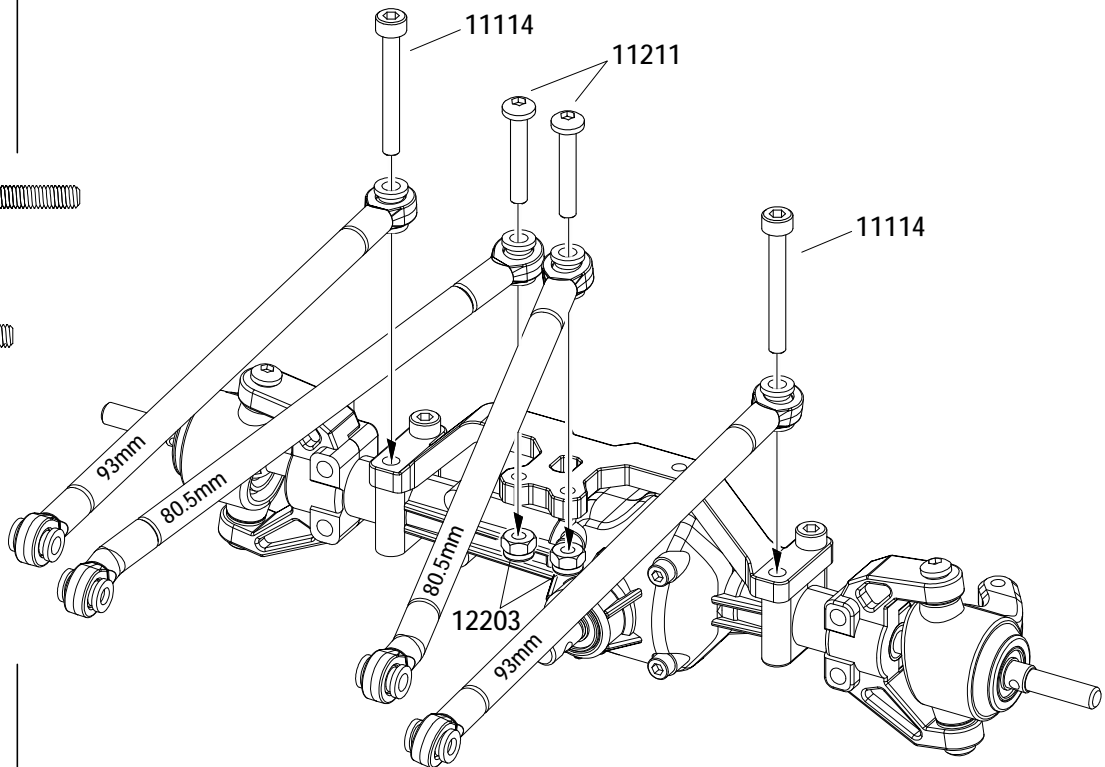
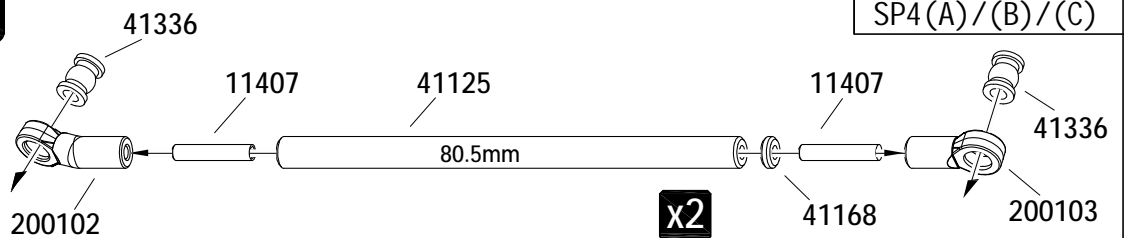
41336 X8



41168 X2



41161 X4

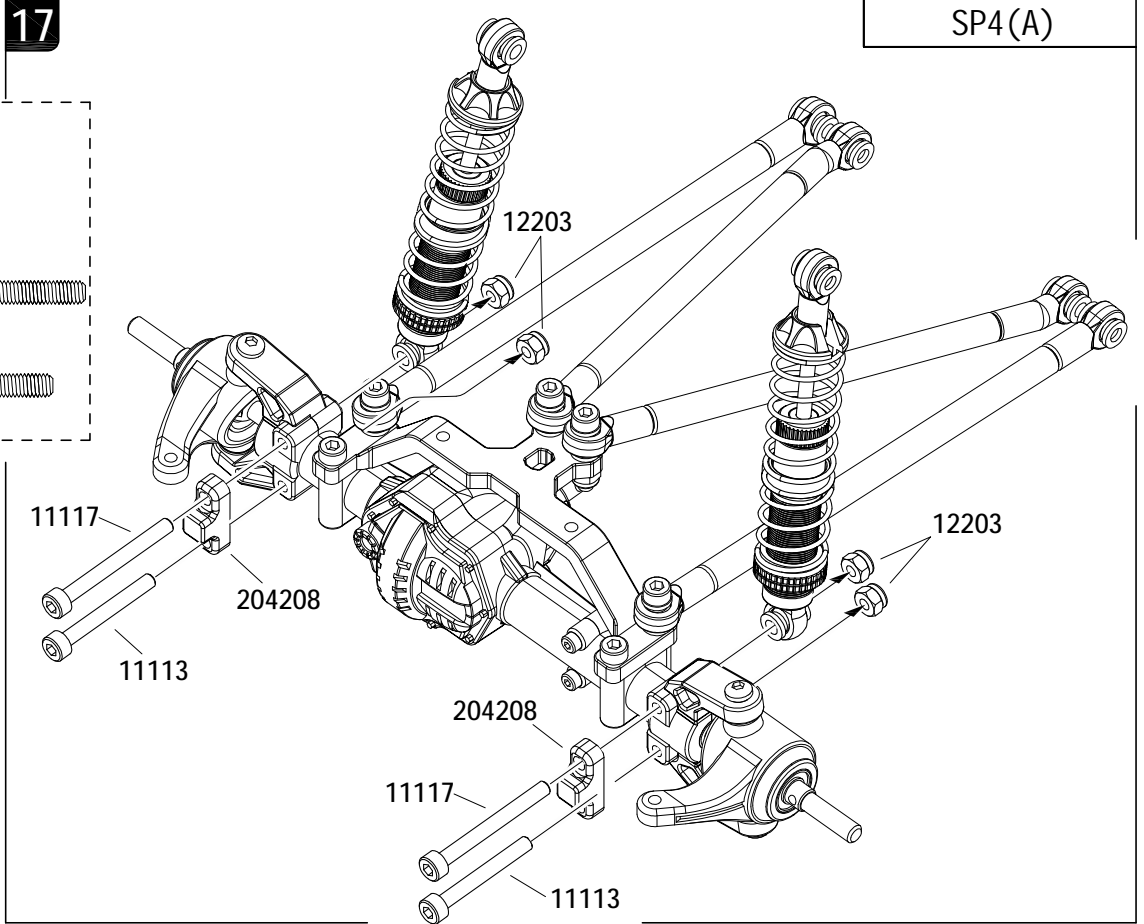
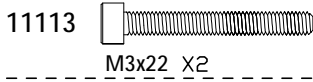
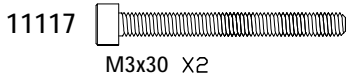
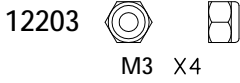


BAG(AA)

17

SP4(A)

SP4(A)

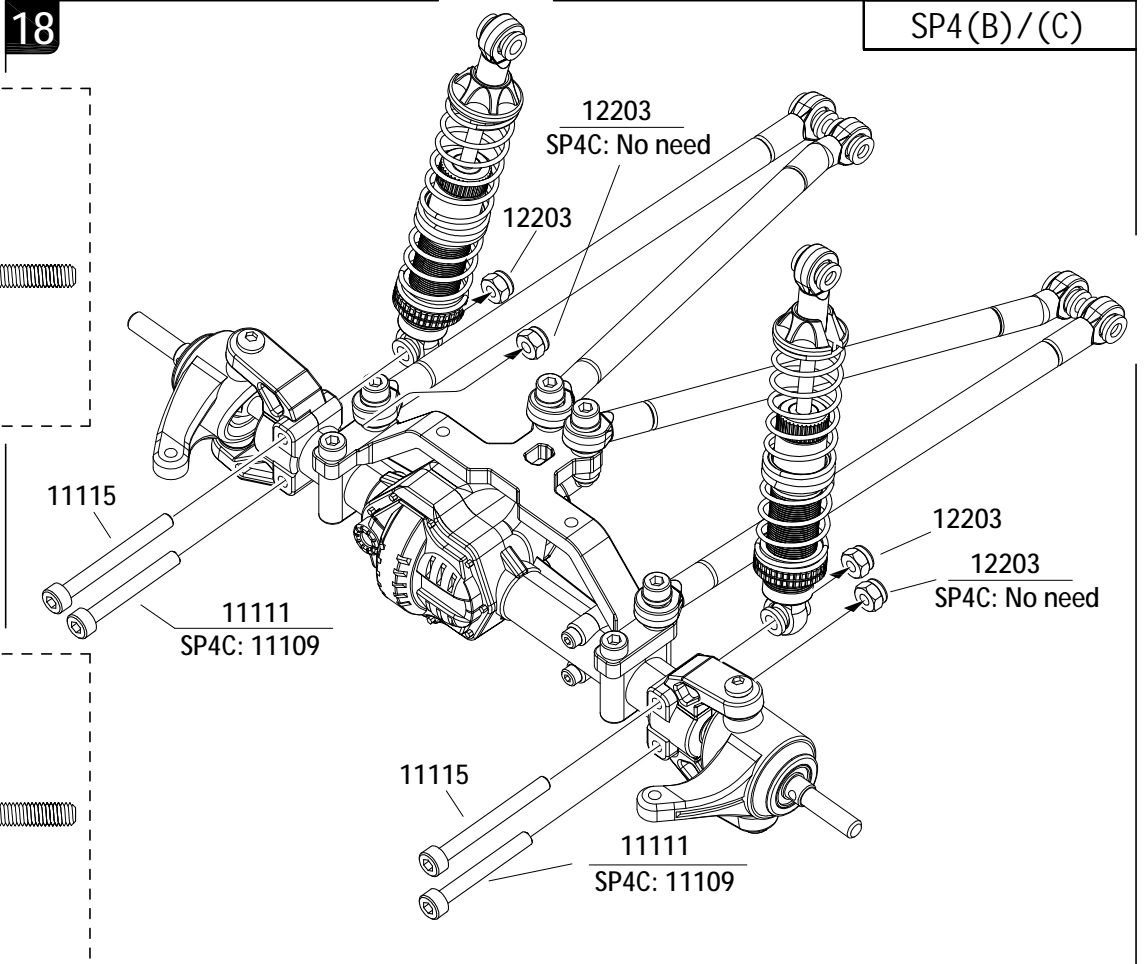
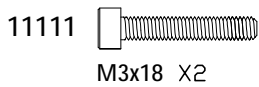
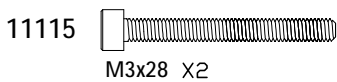


BAG(BB)

18

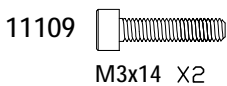
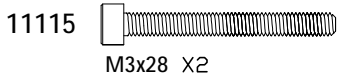
SP4(B)/(C)

SP4(B)






BAG(CC)

SP4(C)



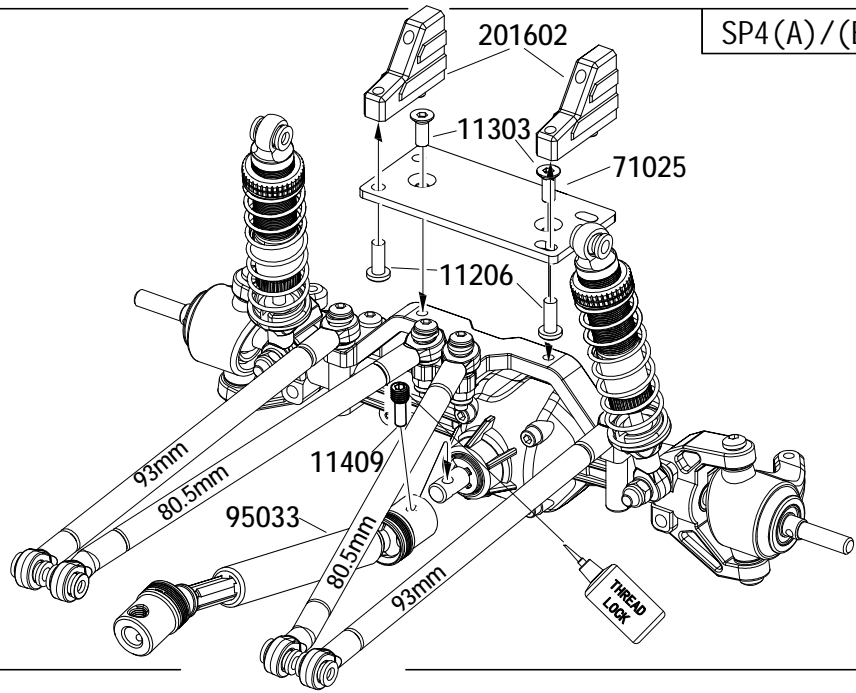
BAG (Y)



- 11303  M3x8 X2
- 11206  M3x8 X2
- 11409  M4x11 X1



19

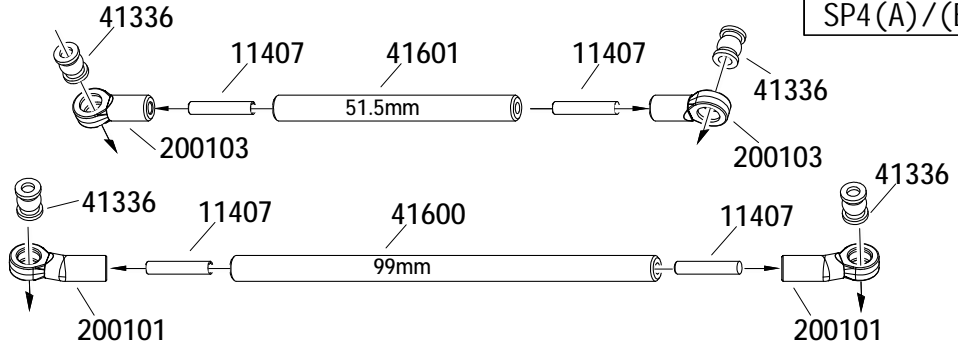
SP4 (A) / (B) / (C)




- 11407  M3x16 X4
- 41336  X4


20


SP4 (A) / (B) / (C)



BAG (AA) / (BB) / (CC)

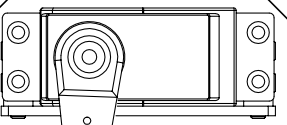
- 11107  M3x10 X4

- 14102   $\varnothing 3 \times \varnothing 7 \times 0.5$  X4


- 11106  M3x8 X1

21

SP4 (A) / (B) / (C)




Turn on the Transmitter then Receiver and set the Steering Servo Trim at the neutral position

- SP4 (A) (B)
- 11114  M3x25 X1

- 11111  M3x18 X1

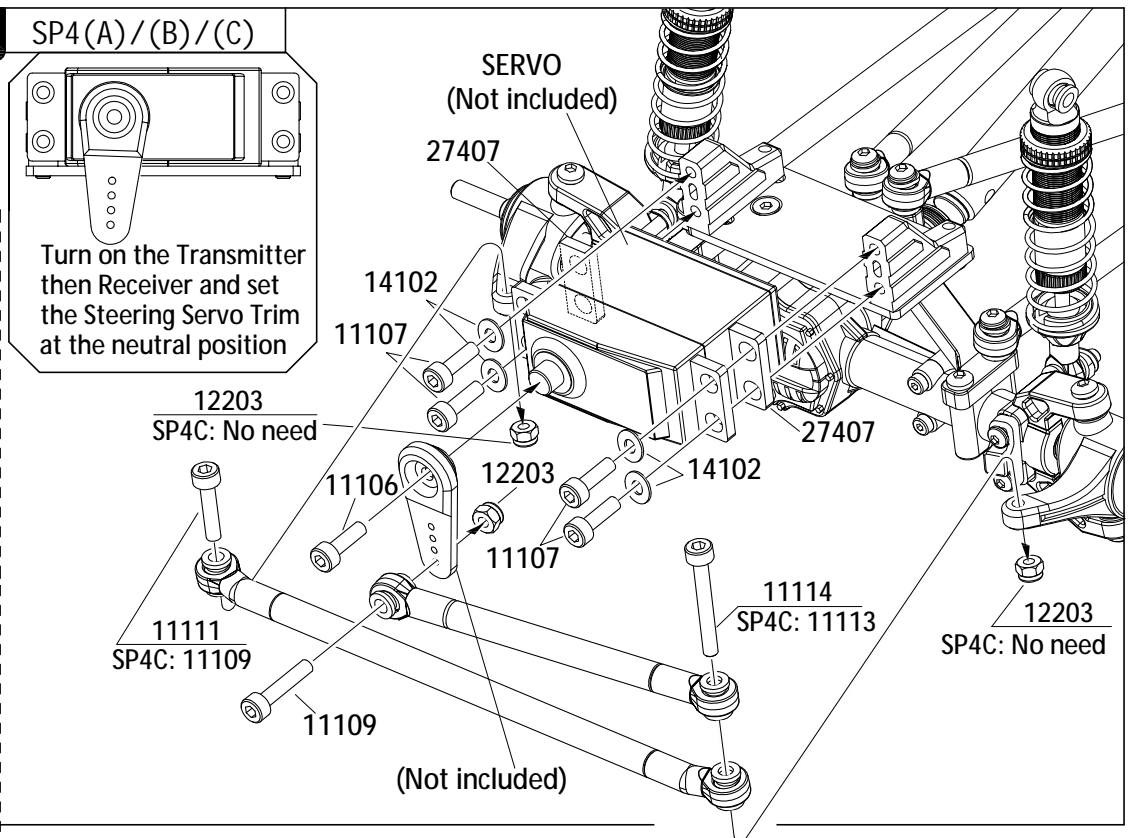
- 11109  M3x14 X1

- 12203  M3 X3

- SP4 (C)
- 11113  M3x22 X1

- 11109  M3x14 X2

- 12203  M3 X3







BAG(Y)


22

SP4(A)/(B)/(C)

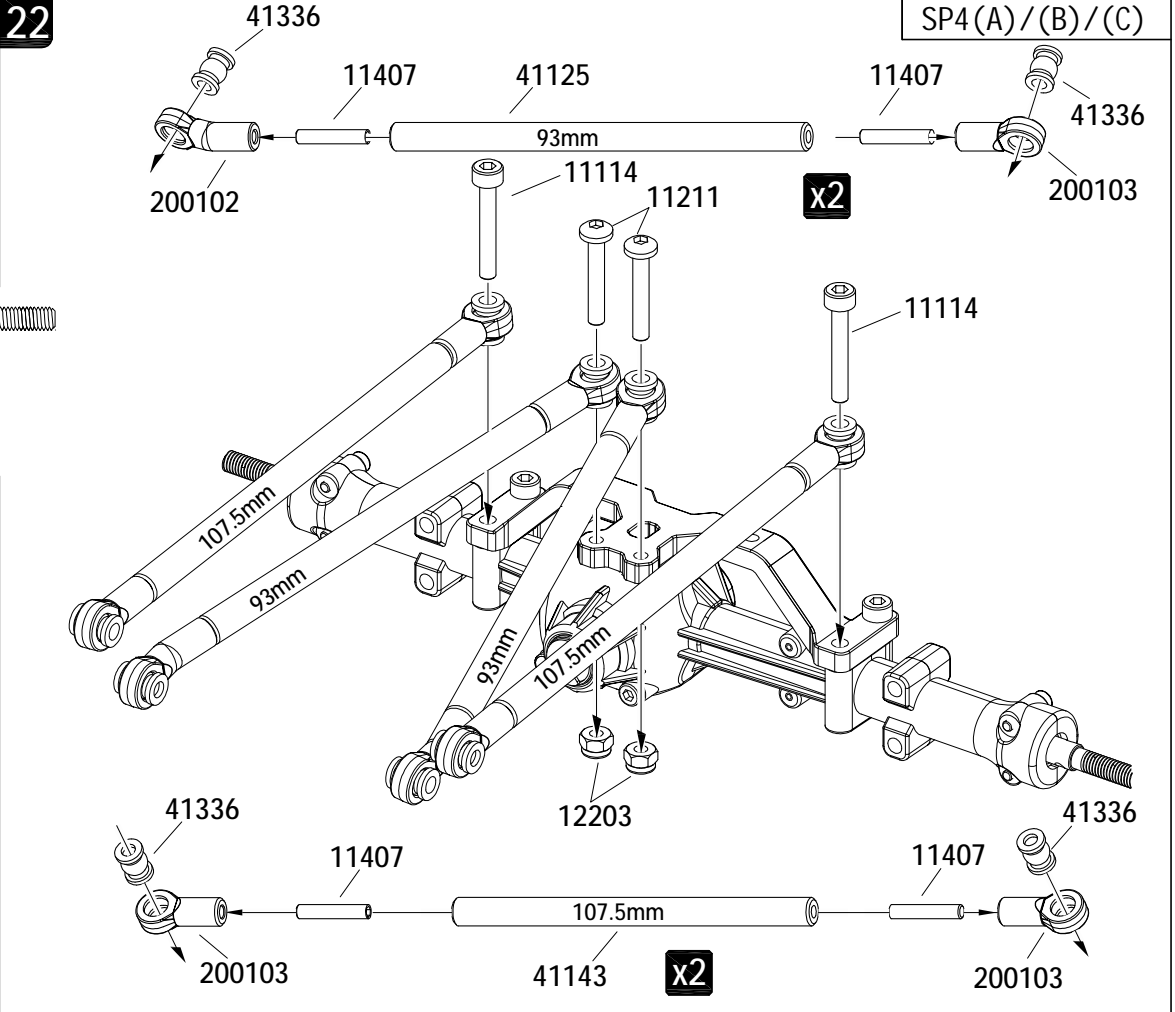
11407  M3x16 X8

12203  M3 X2

11114  M3x25 X2


11211  M3x18 X2

 41336 X8

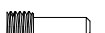



23

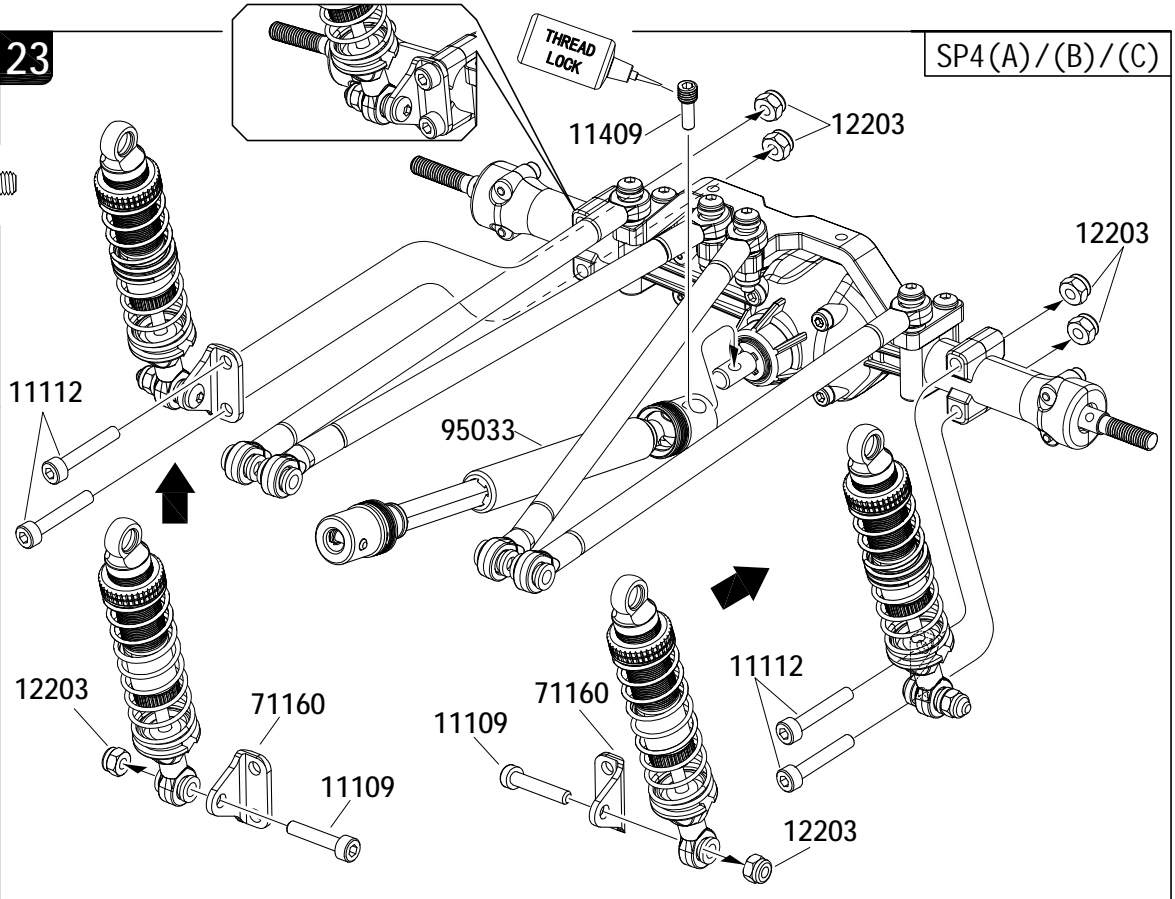
SP4(A)/(B)/(C)

11112  M3x20 X4

11109  M3x14 X2

11409  M4x11 X1

12203  M3 X6



24 SP4(A)/(B)/(C)



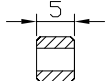
BAG(Y)

11303 M3x8 X4

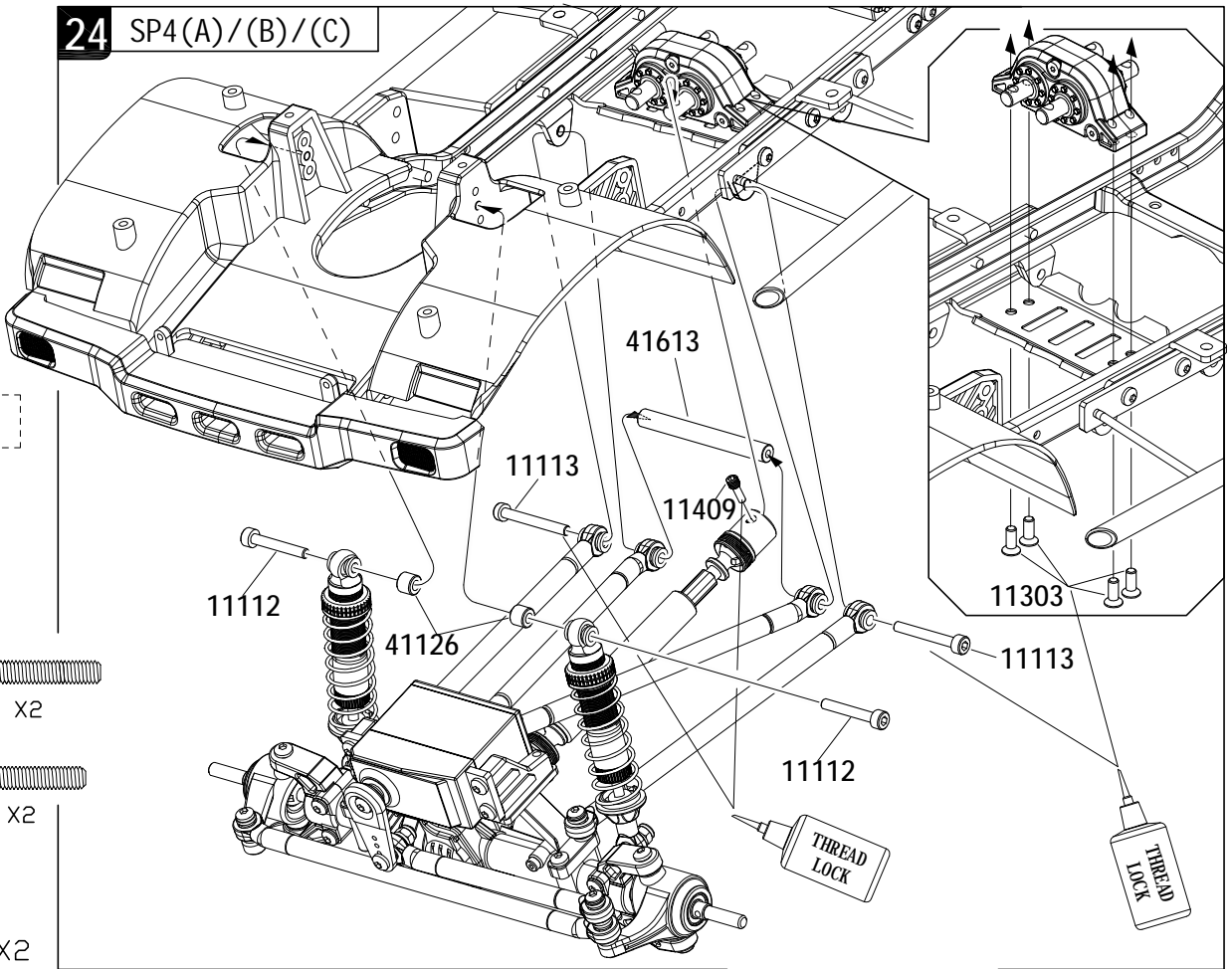
11409 M4x11 X1

11113 M3x22 X2

11112 M3x20 X2



41126 X2



25

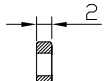
SP4(A)/(B)/(C)

11106 M3x8 X4

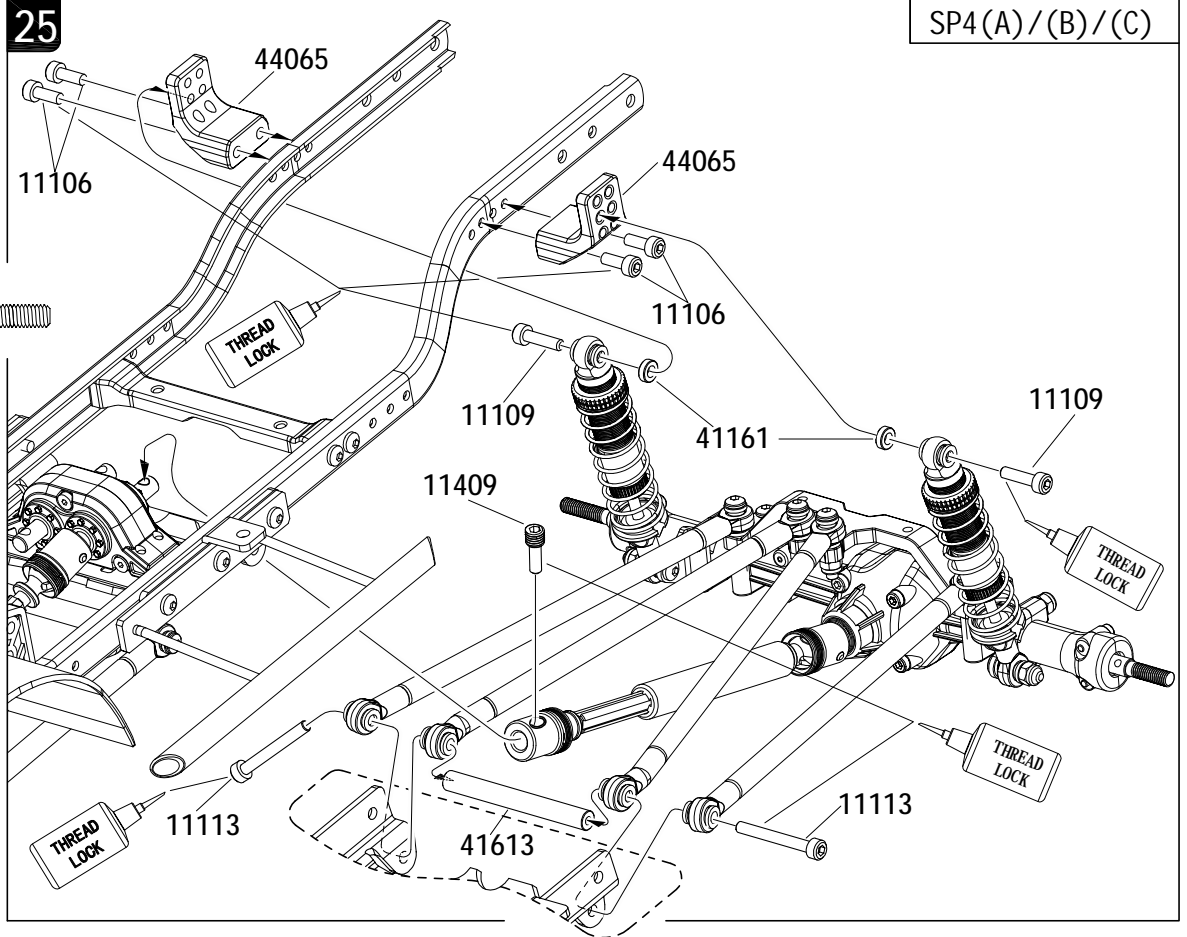
11109 M3x14 X2

11113 M3x22 X2

11409 M4x11 X1



41161 X2

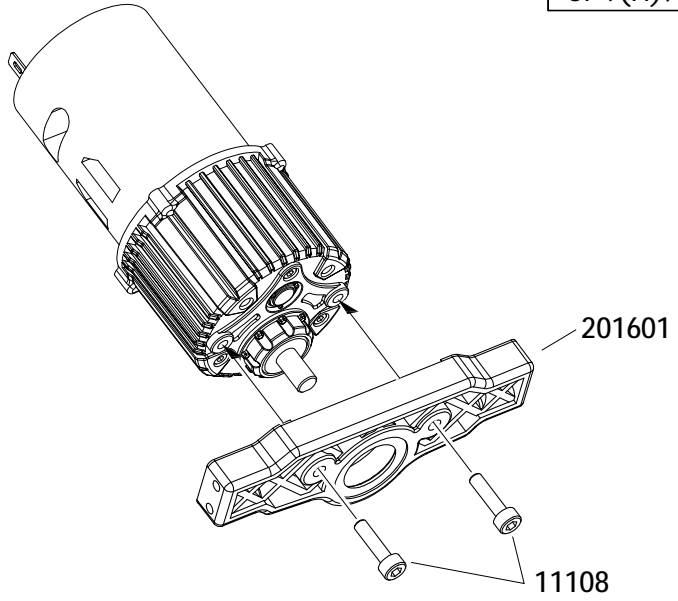


BAG(Y)

26


SP4(A)/(B)/(C)

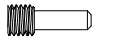
11108   
M3x12 X2



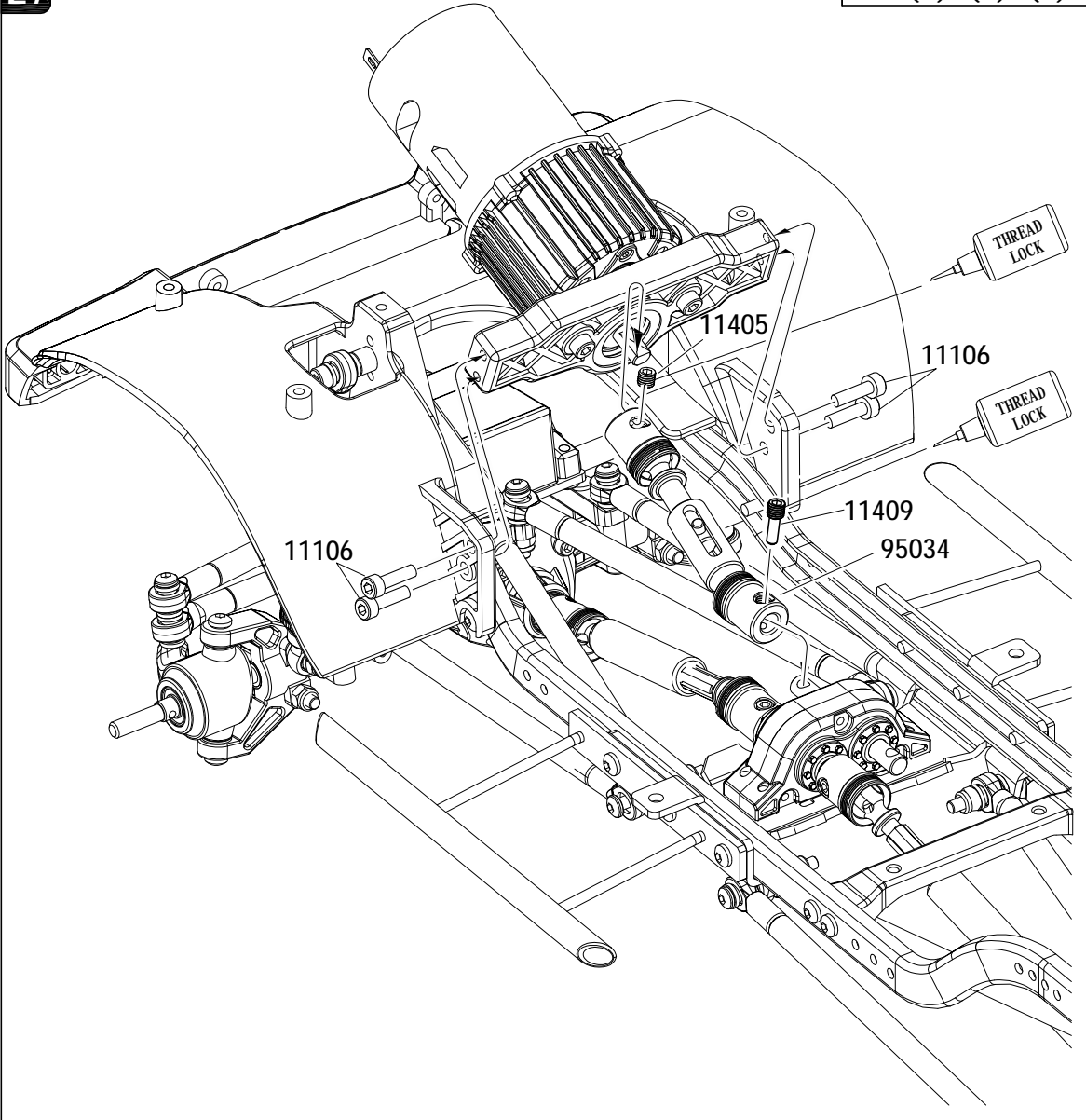
27

SP4(A)/(B)/(C)

11405   
M4x4 X1

11409   
M4x11 X1

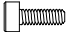
11106   
M3x8 X4

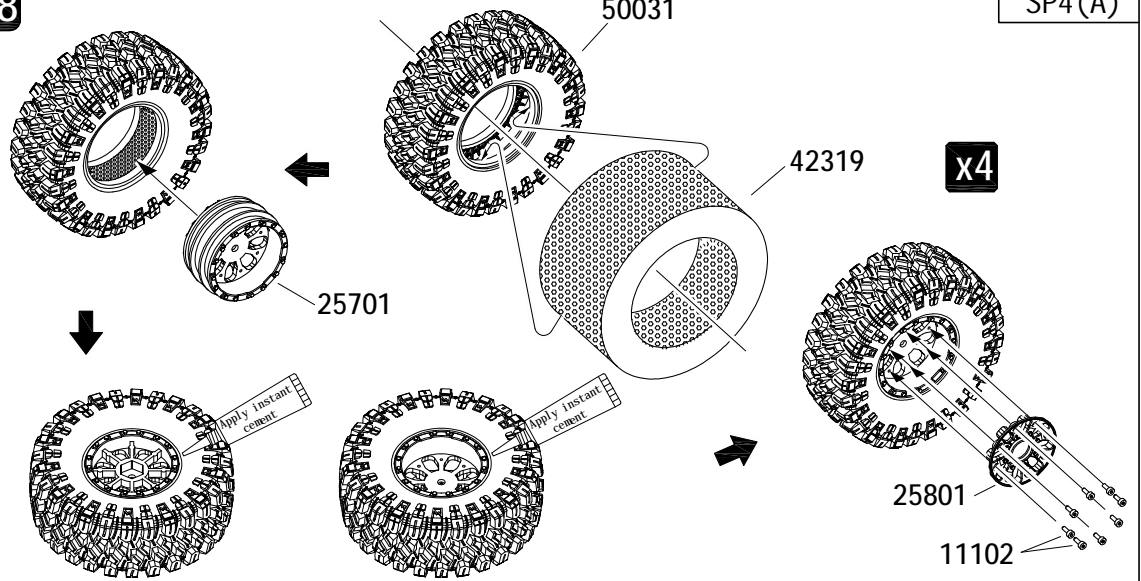
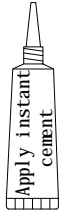


BAG (A)

28

SP4 (A)

11102   
M2x6 X32



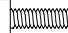
11116

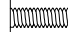
30307


71156

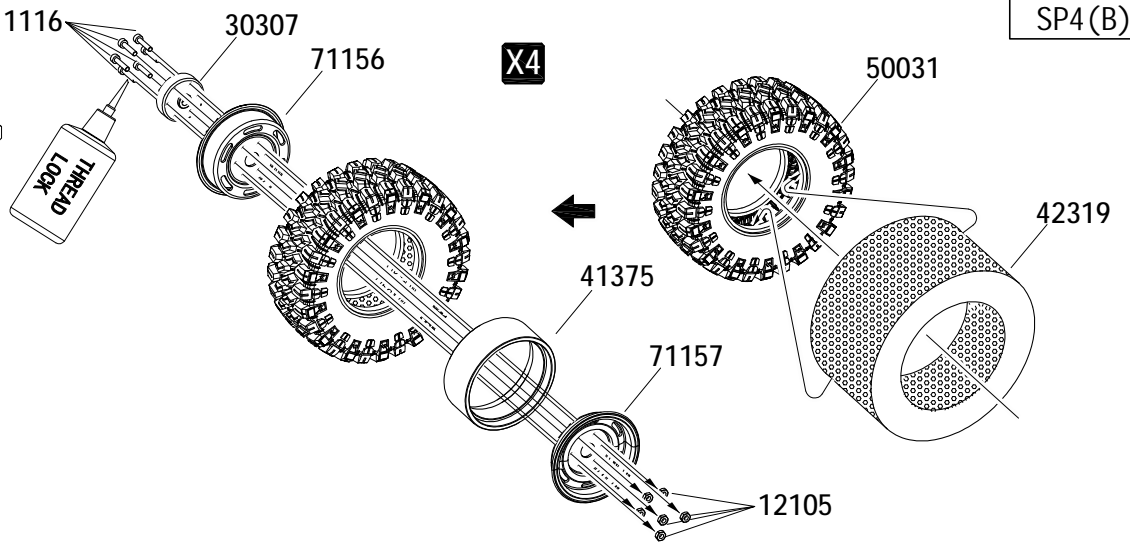
X4

SP4 (B)

11120   
M2.5x20 X2


11116   
M2.5x12 X24

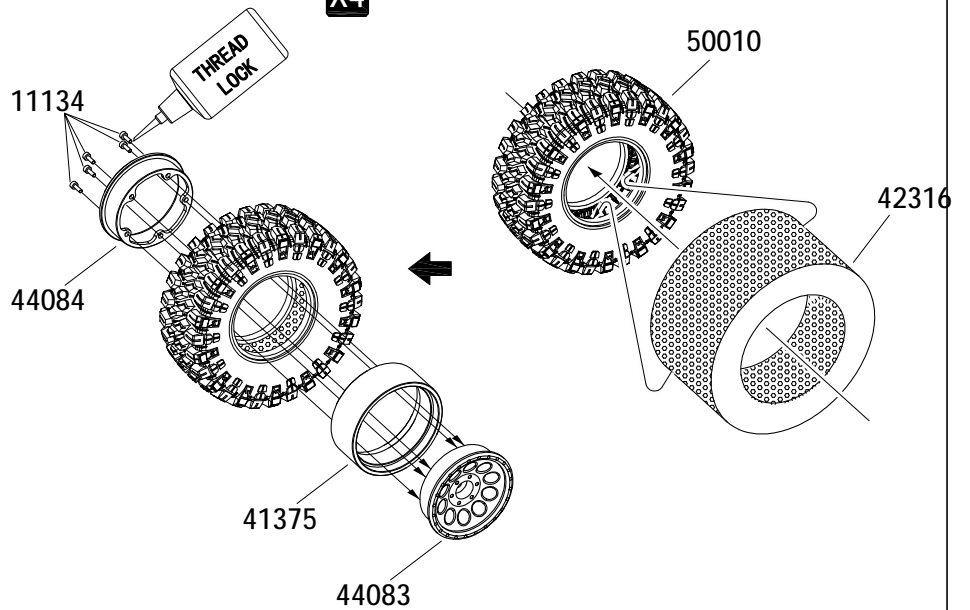
12105   
M2.5 X24



X4

SP4 (C)

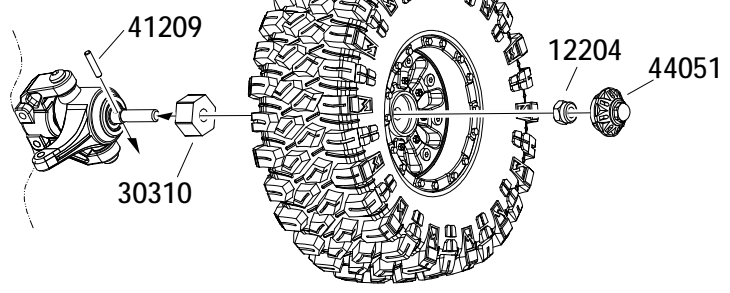
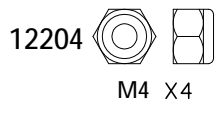
11134   
M2.5x8 X20



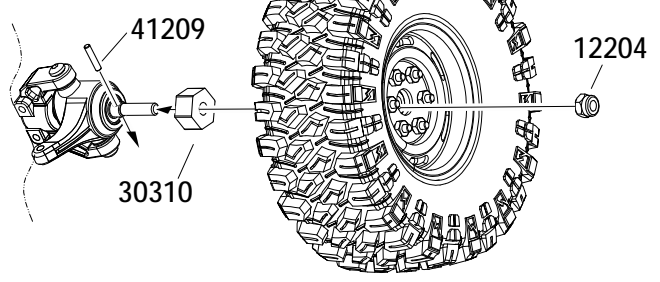
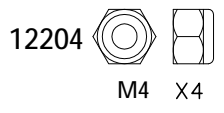
BAG(Y)

29

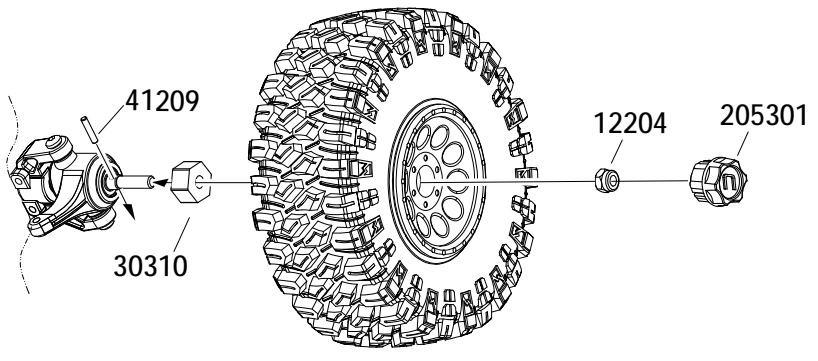
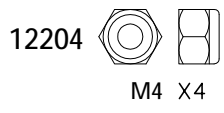
SP4(A)



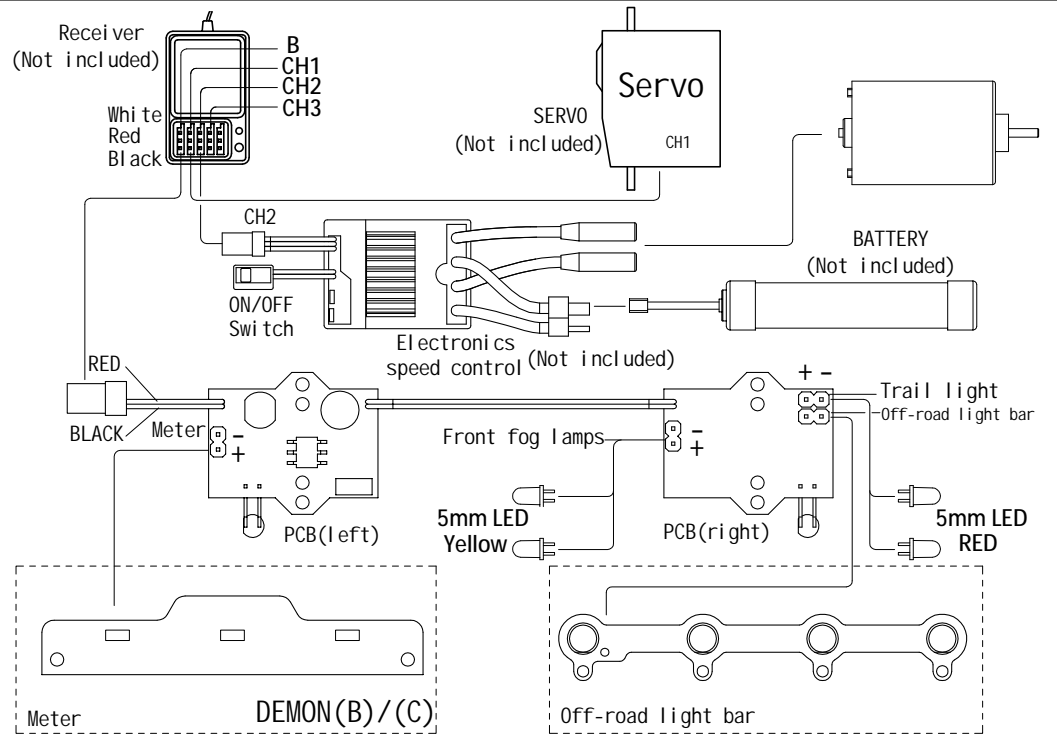
SP4(B)



SP4(C)

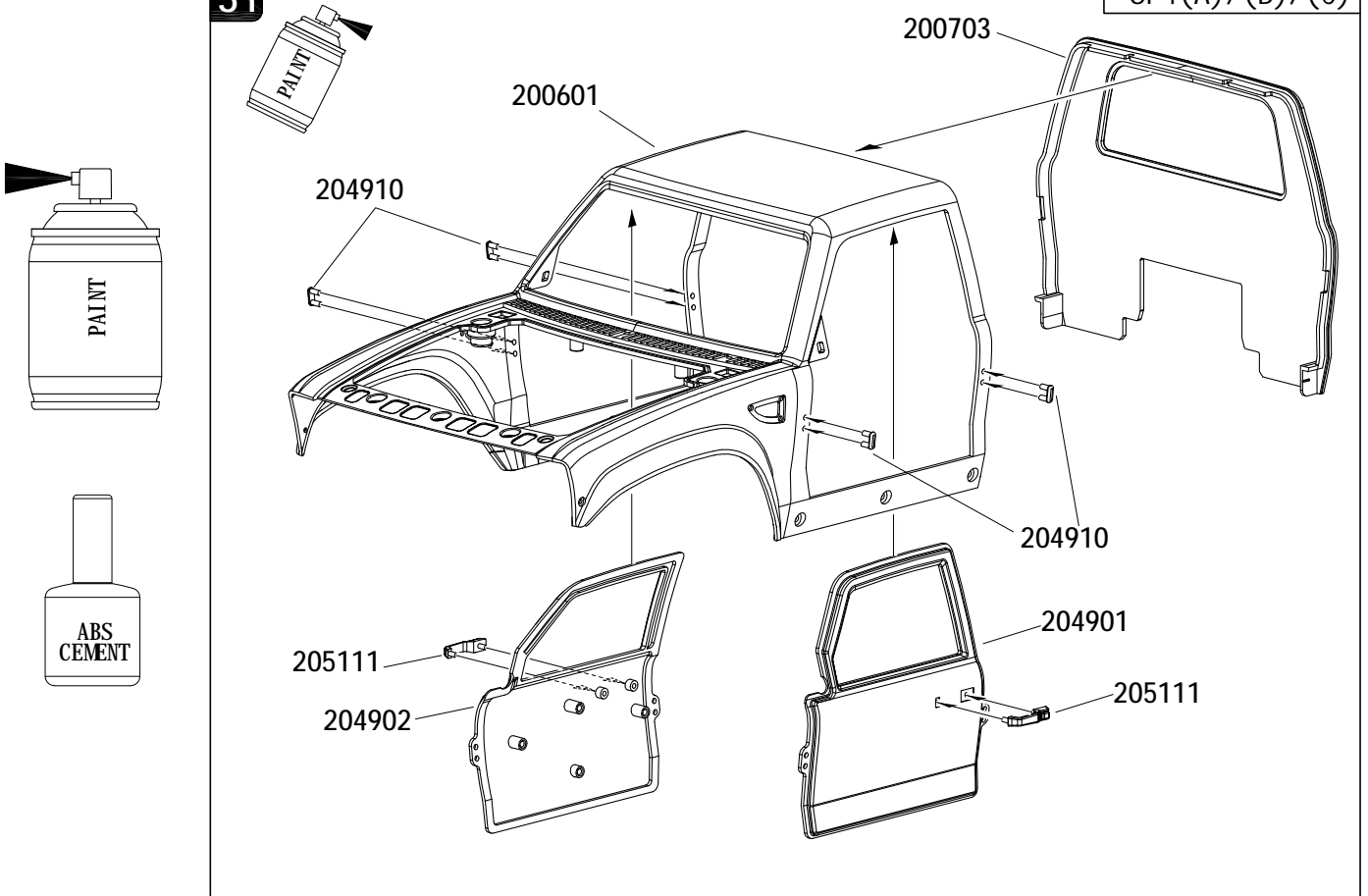


30



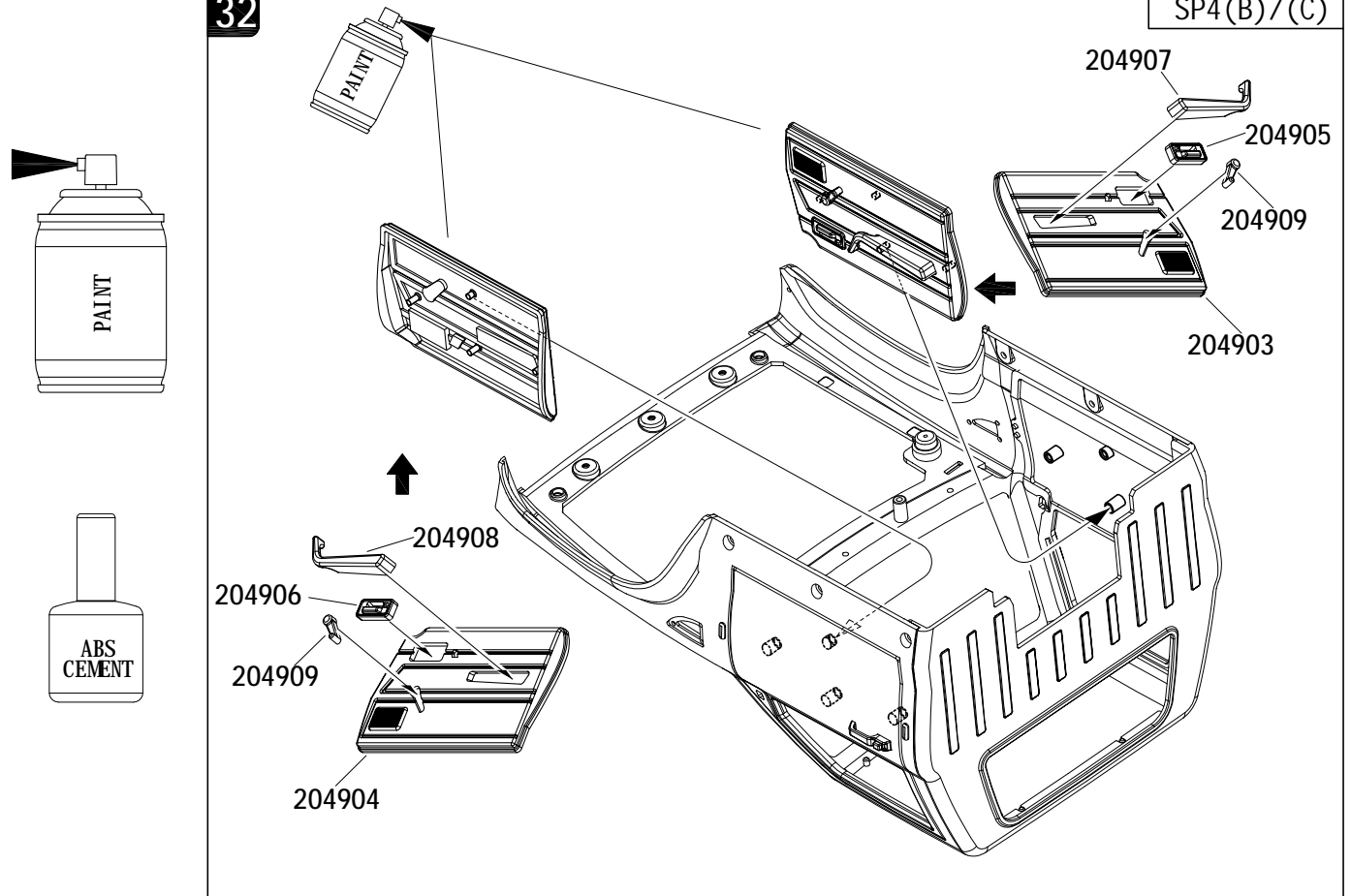
31

SP4(A)/(B)/(C)



32

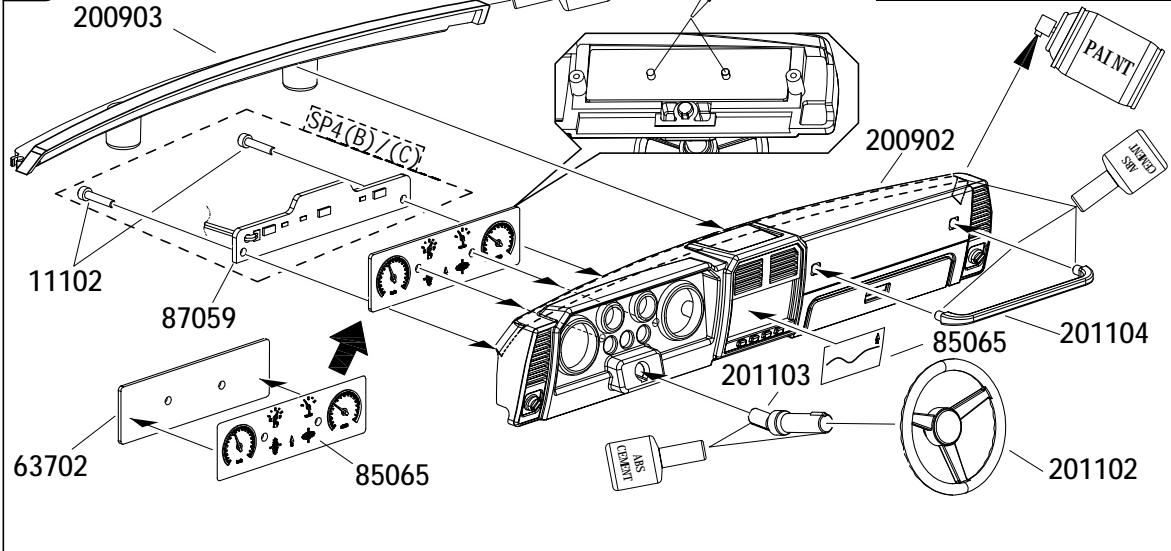
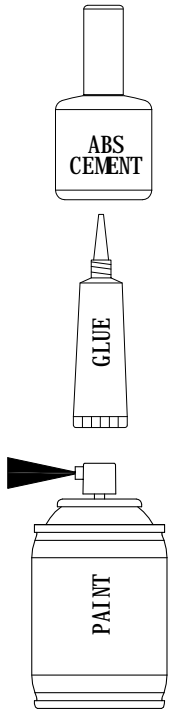
SP4(B)/(C)



SP4(B)/(C)  
11102 M2x6 X2

33

SP4(A)/(B)/(C)

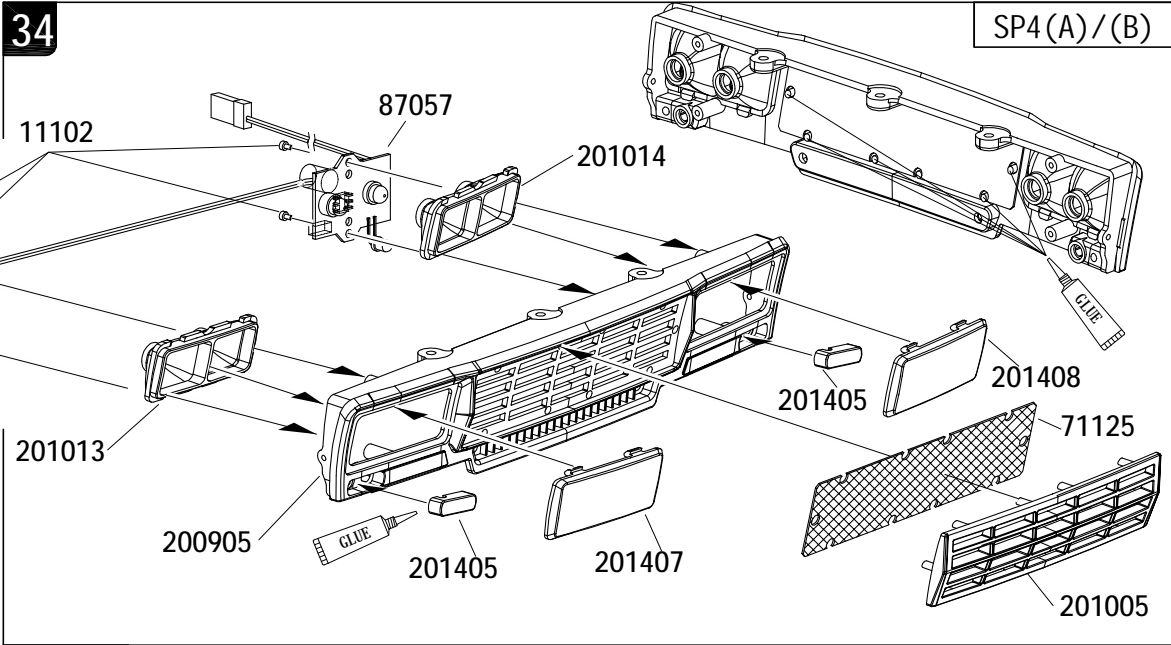


34

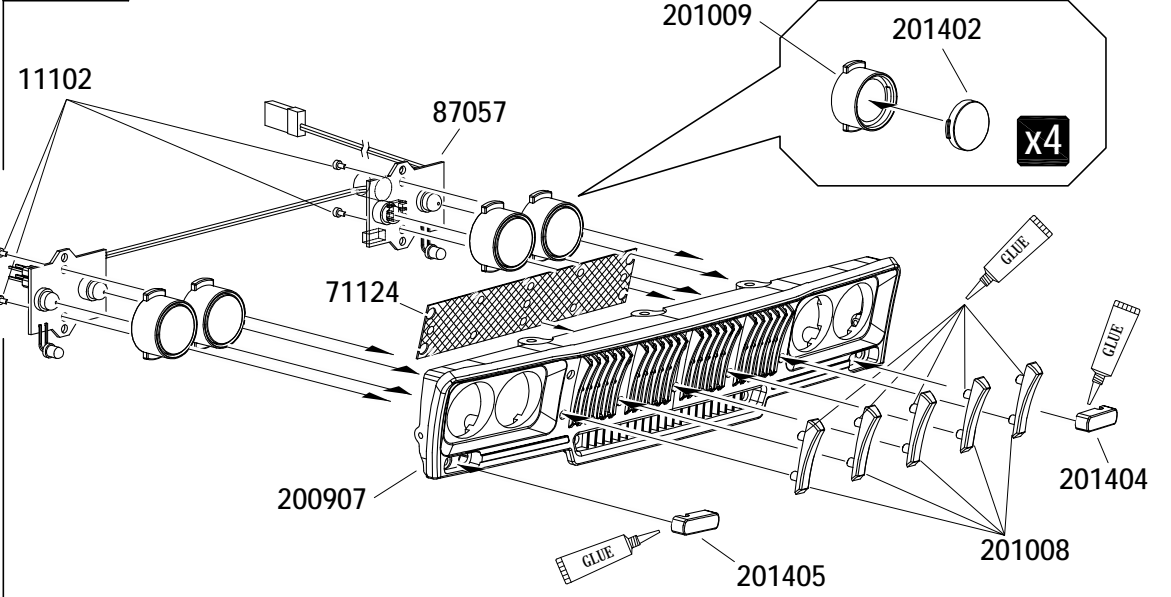
SP4(A)/(B)

BAG(Y)

11102 M2x6 X4




SP4(C)

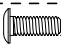


BAG(Y)

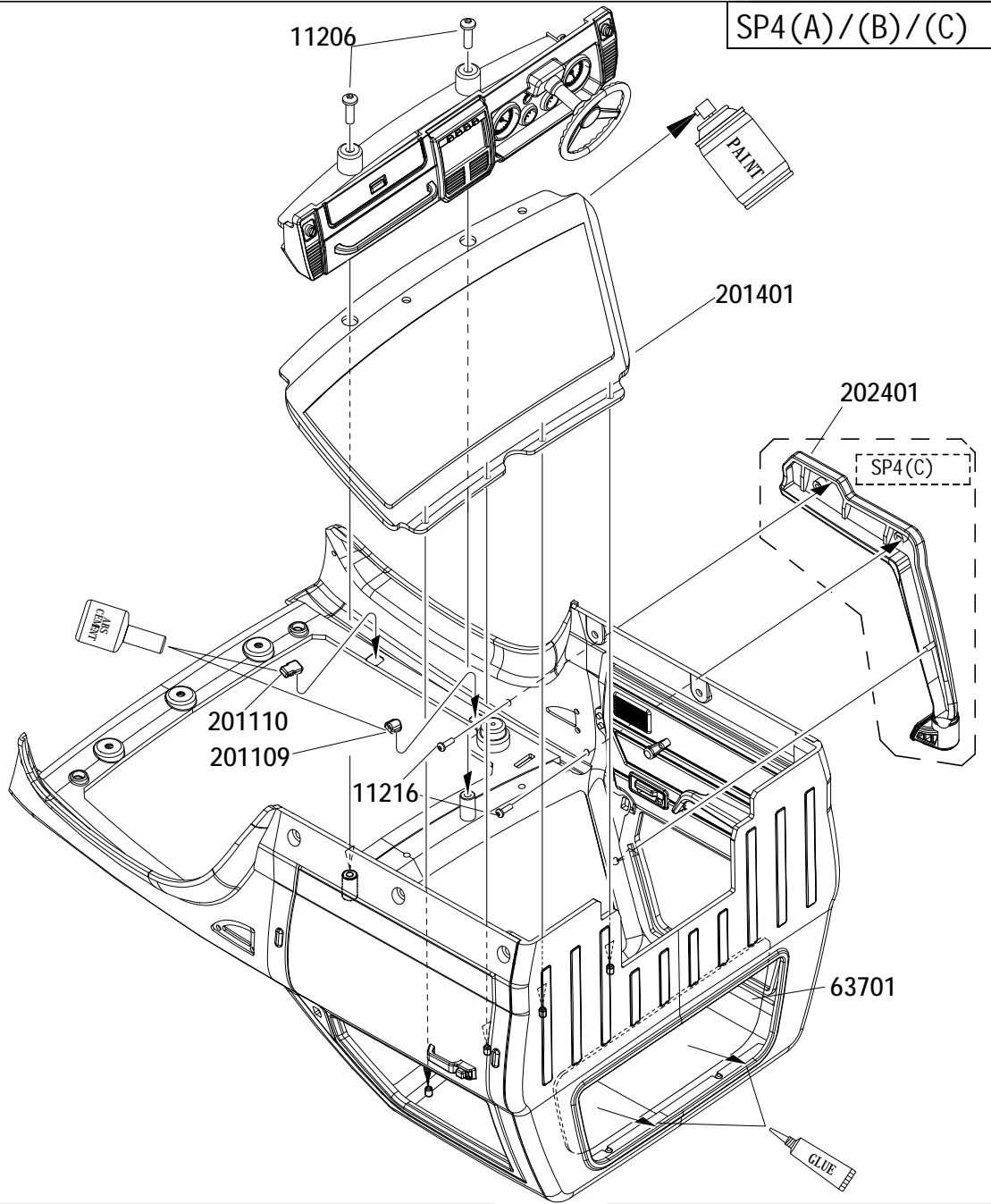
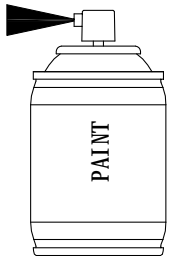
35

SP4(A)/(B)/(C)

11206  M3x8 X2

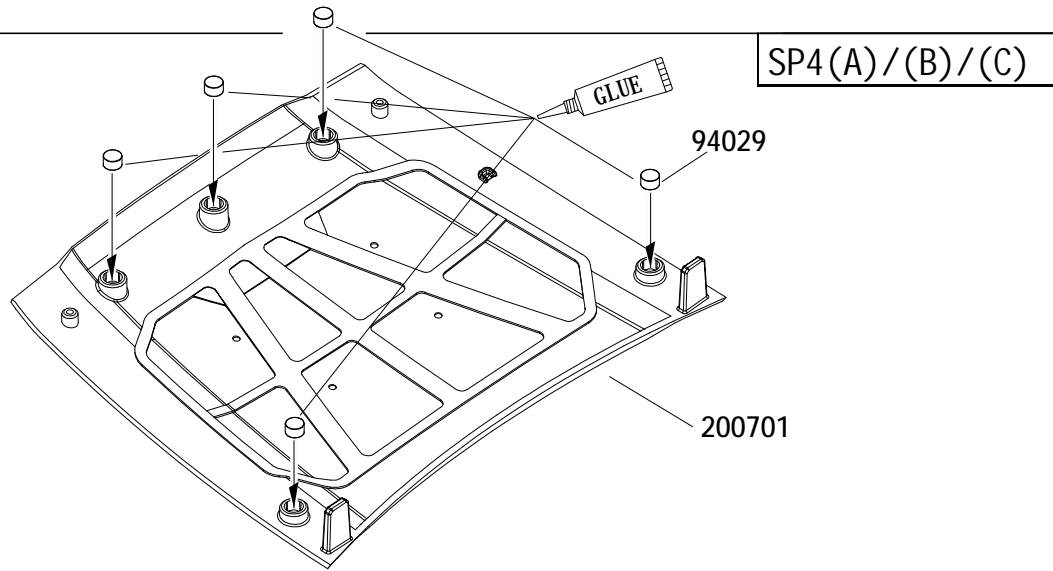
11216  M2.5x6 X2

SP4(C)



36

SP4(A)/(B)/(C)





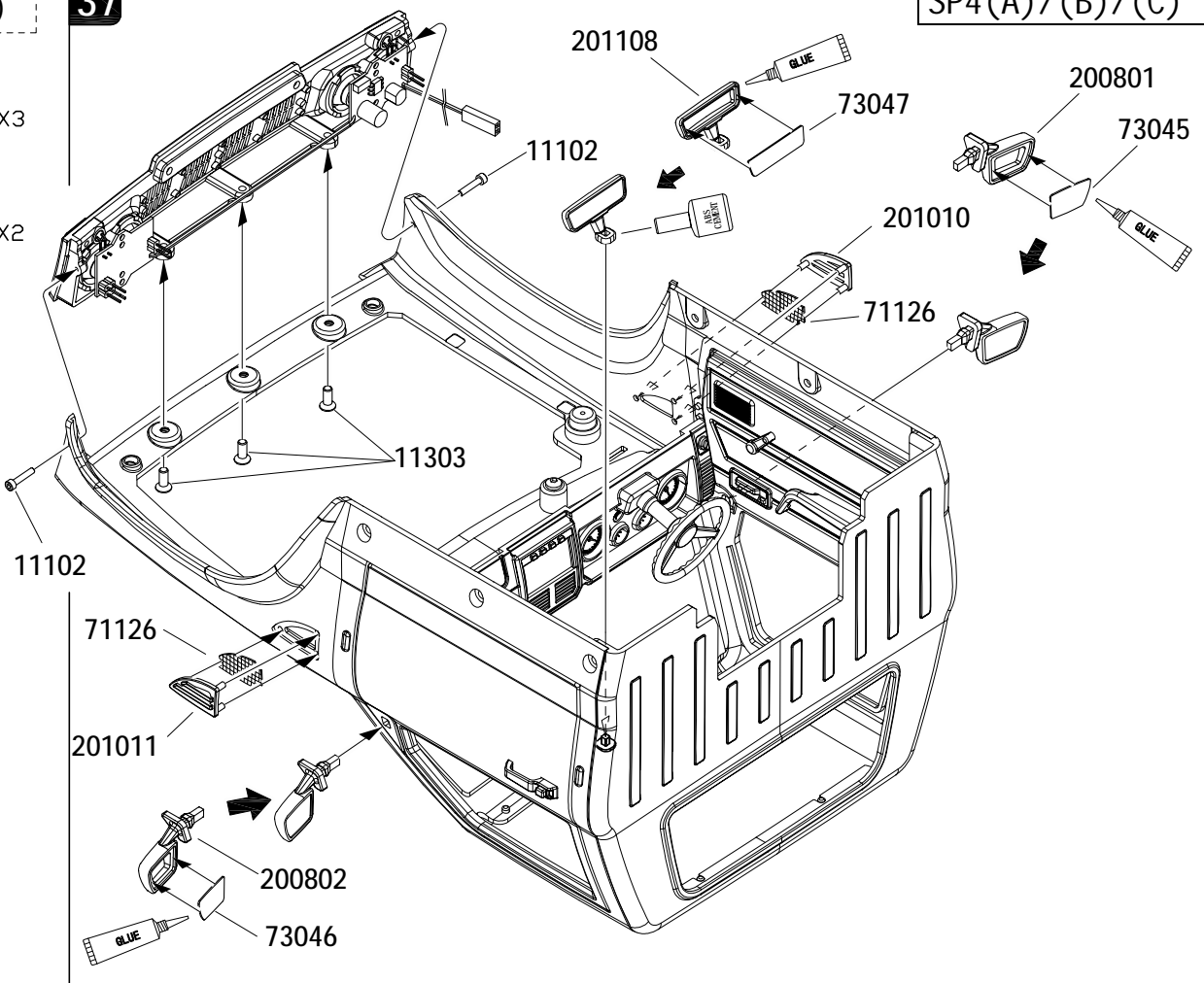
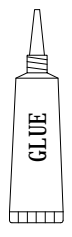
BAG(Y)

37

SP4(A)/(B)/(C)

11303 M3x8 X3

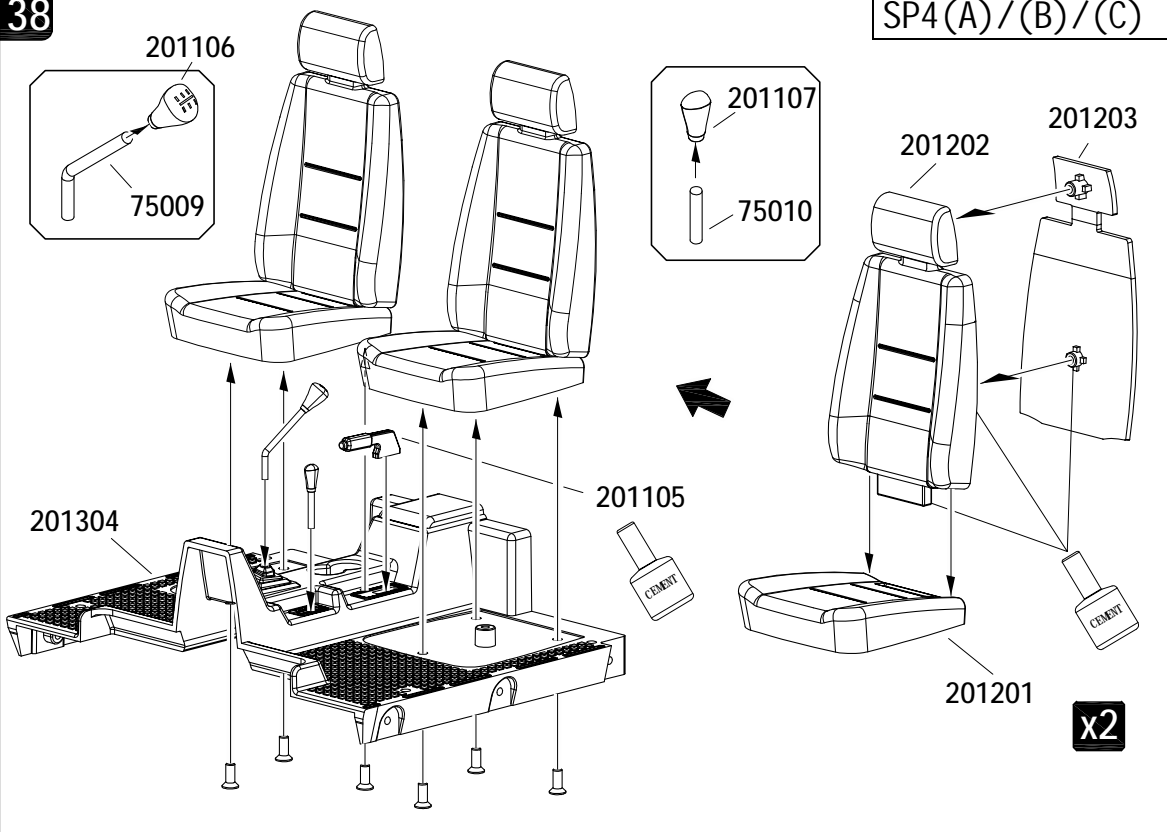
11102 M2x6 X2



38

SP4(A)/(B)/(C)


11303 M3x8 X6

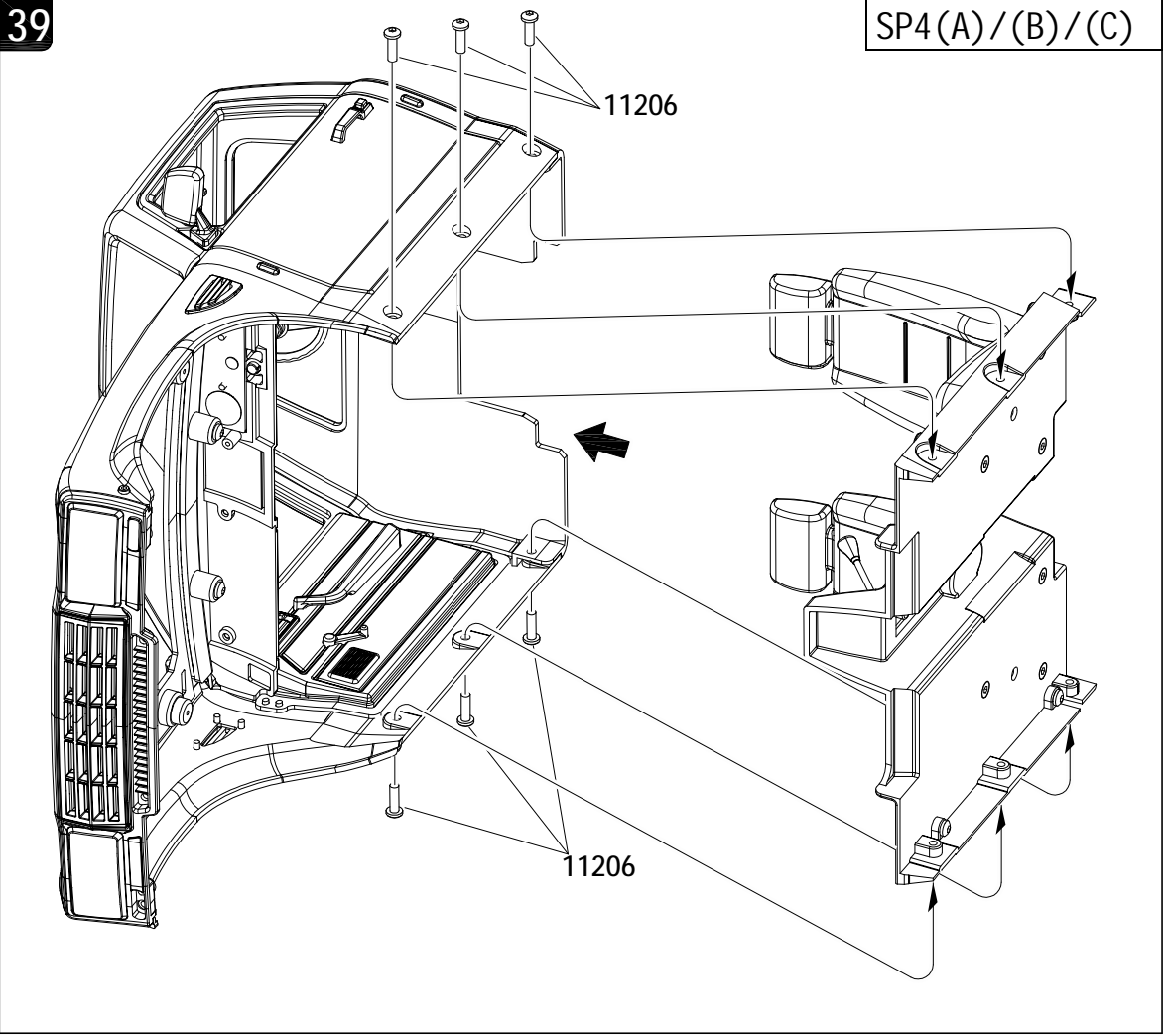


BAG(Y)

39

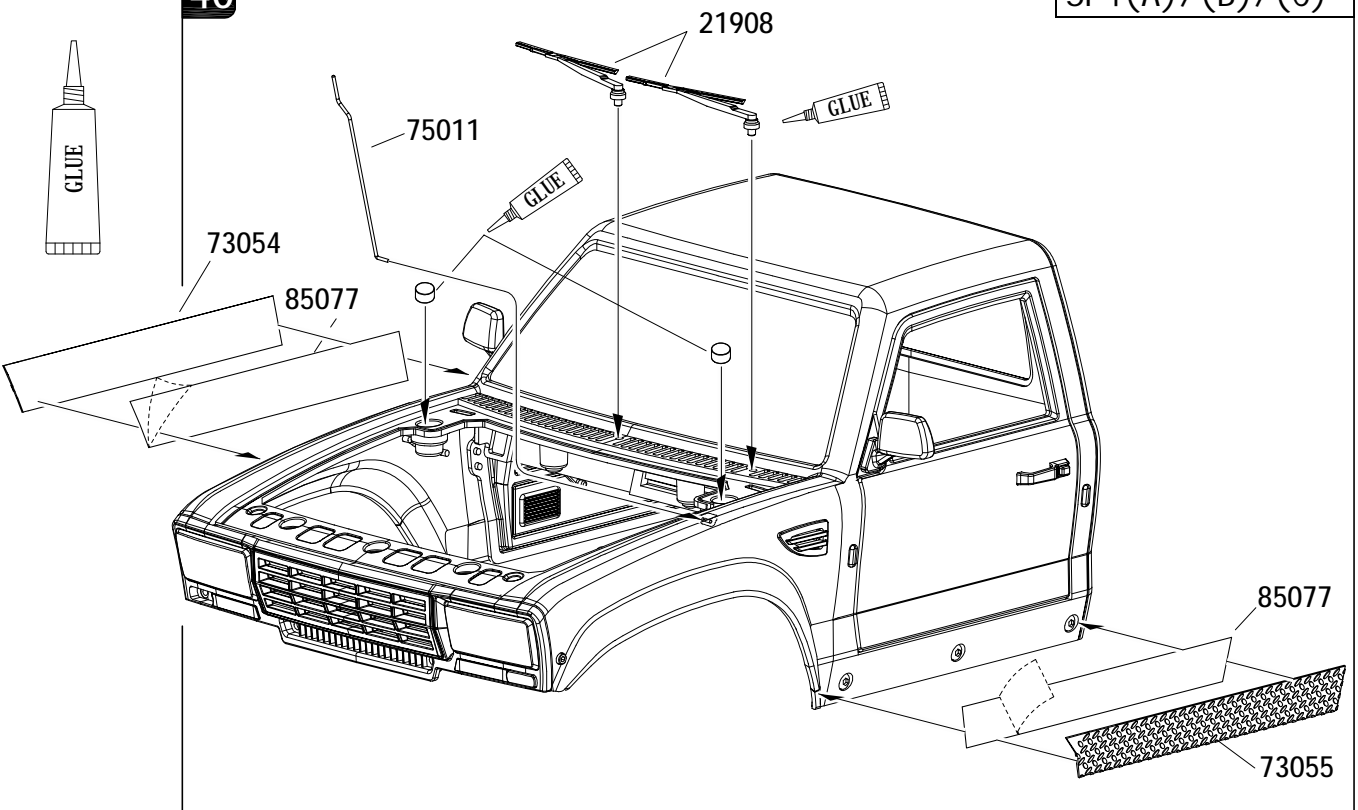
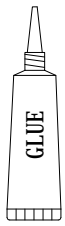
SP4(A)/(B)/(C)

11206   
M3x8 X6



40

SP4(A)/(B)/(C)

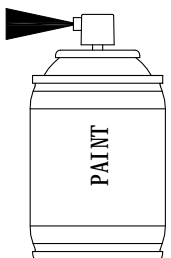
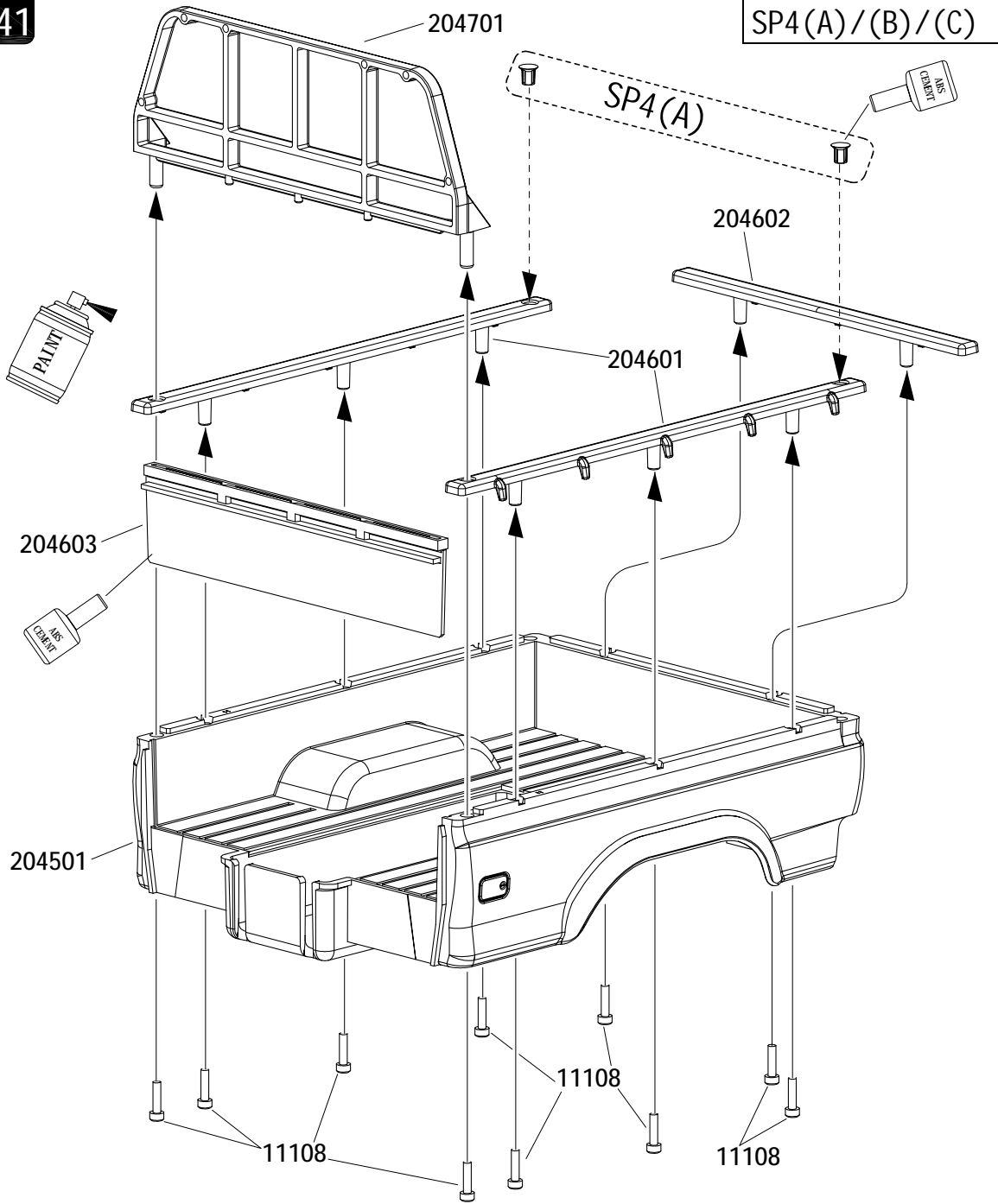
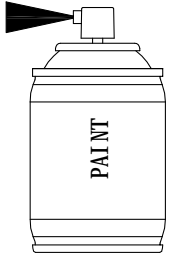


BAG(Y)

41

SP4(A)/(B)/(C)

11108 M3x12 X10

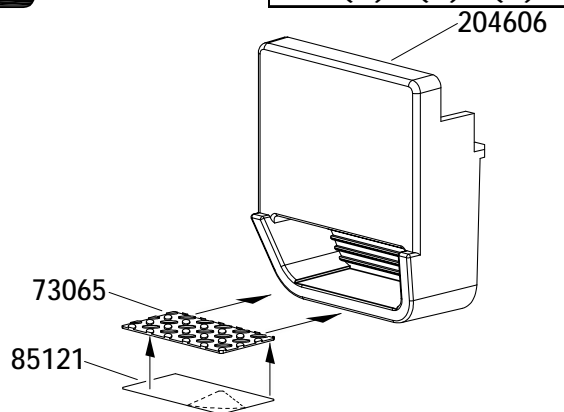
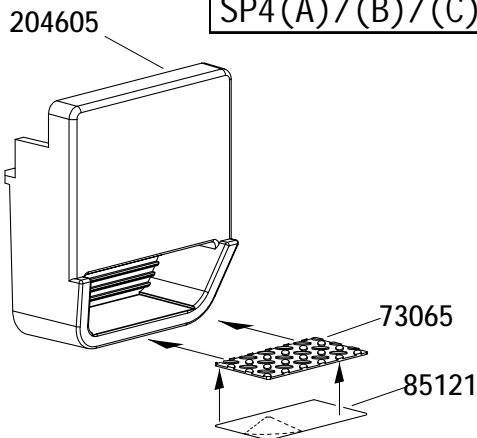


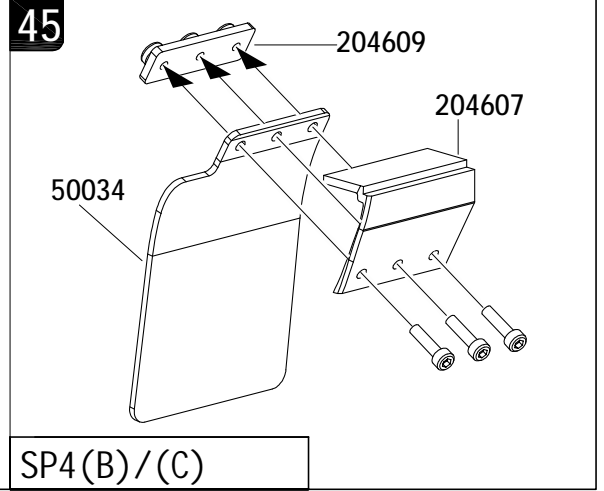
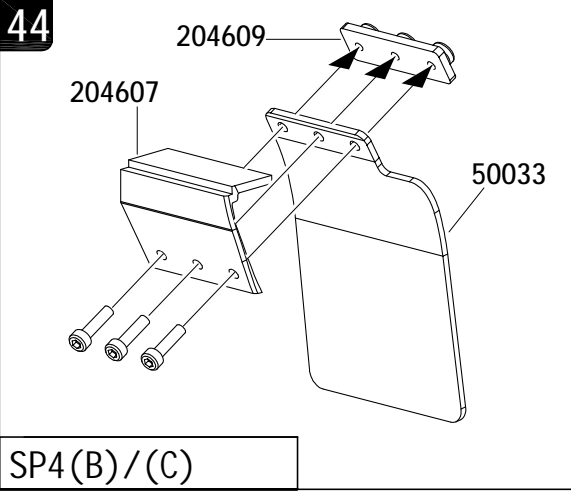
42

SP4(A)/(B)/(C)

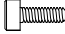
43

SP4(A)/(B)/(C)

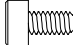


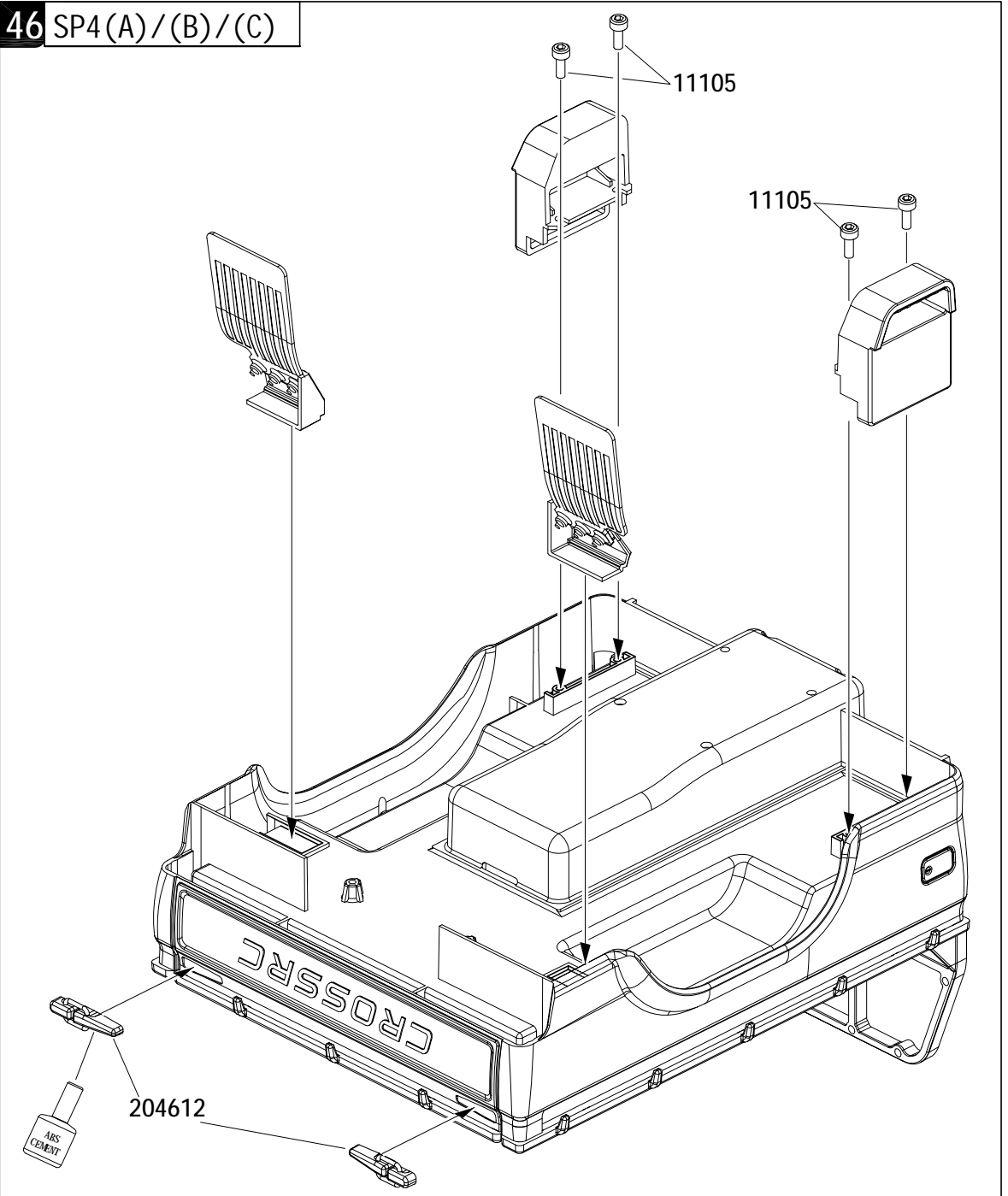


BAG(BB)/(CC)

SP4(B)/(C)  
11102   
M2x6 X6


BAG(Y)

11105   
M3x6 X4

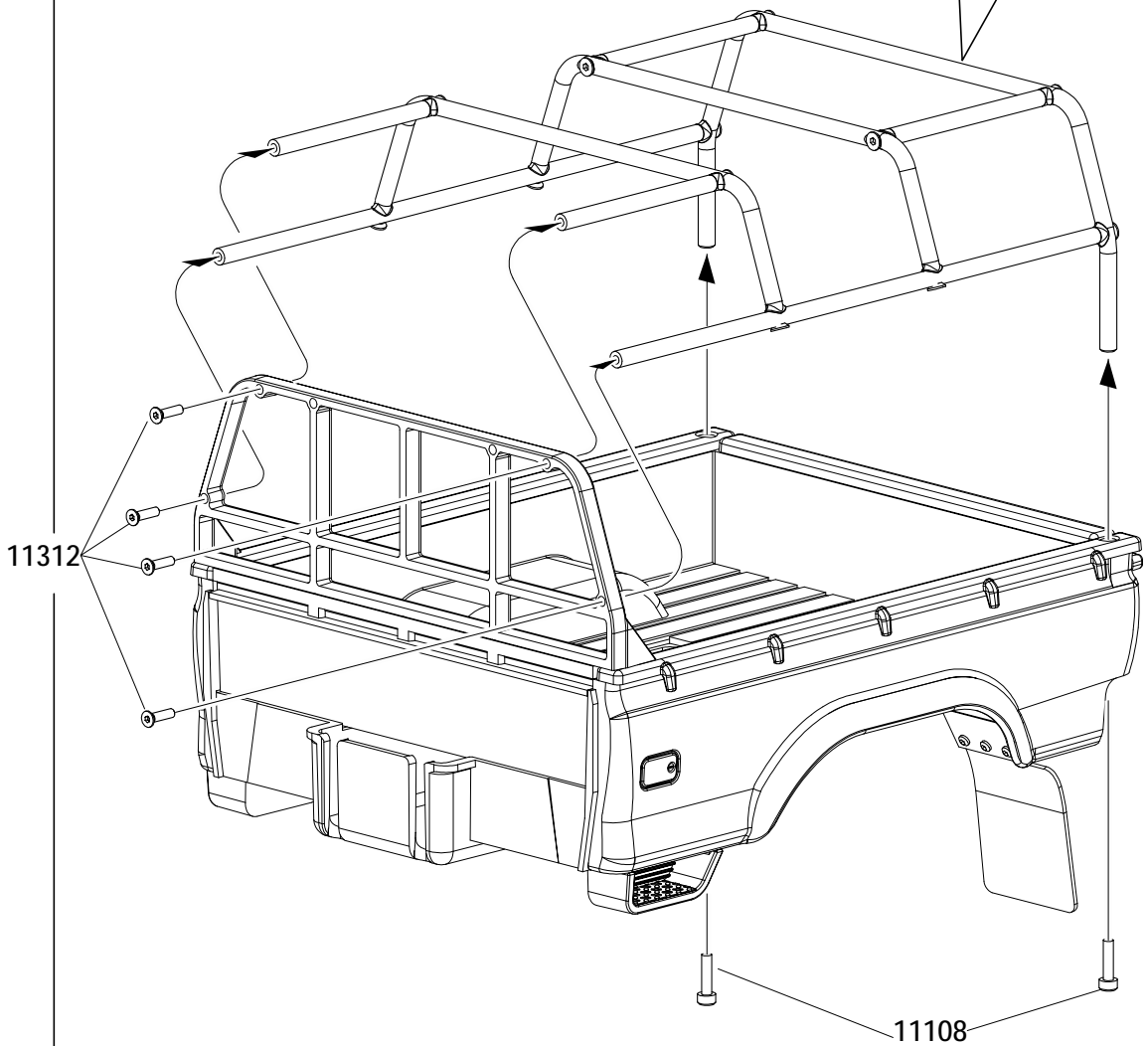
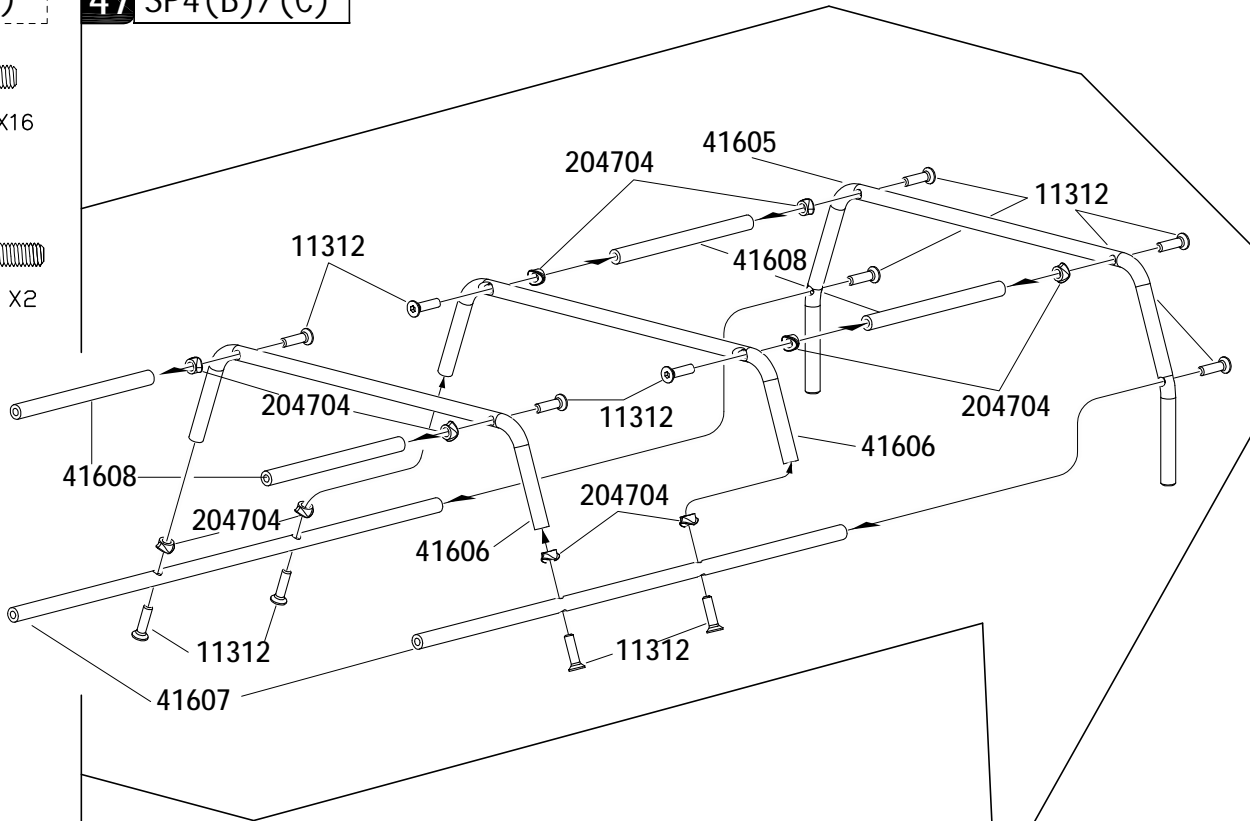


BAG(Y)

47 SP4(B)/(C)


11312   
M3x11 X16

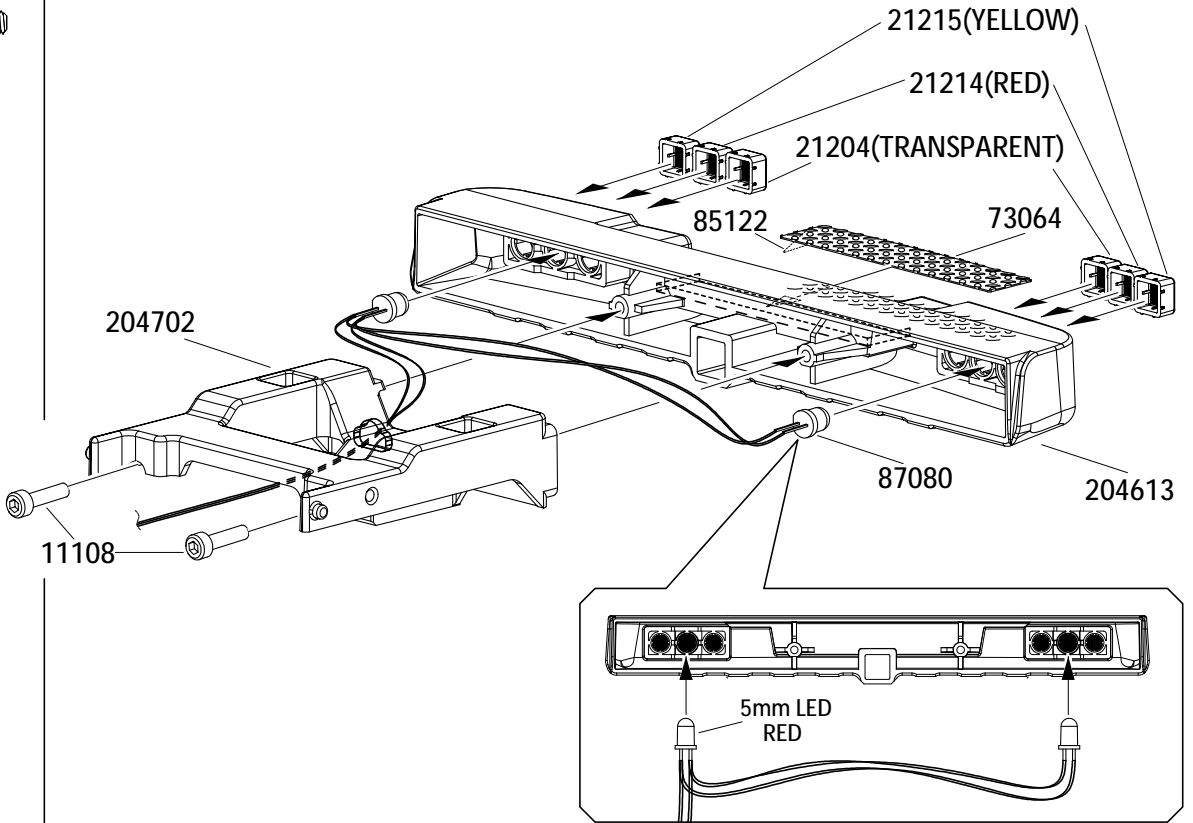
11108   
M3x12 X2




BAG(Y)

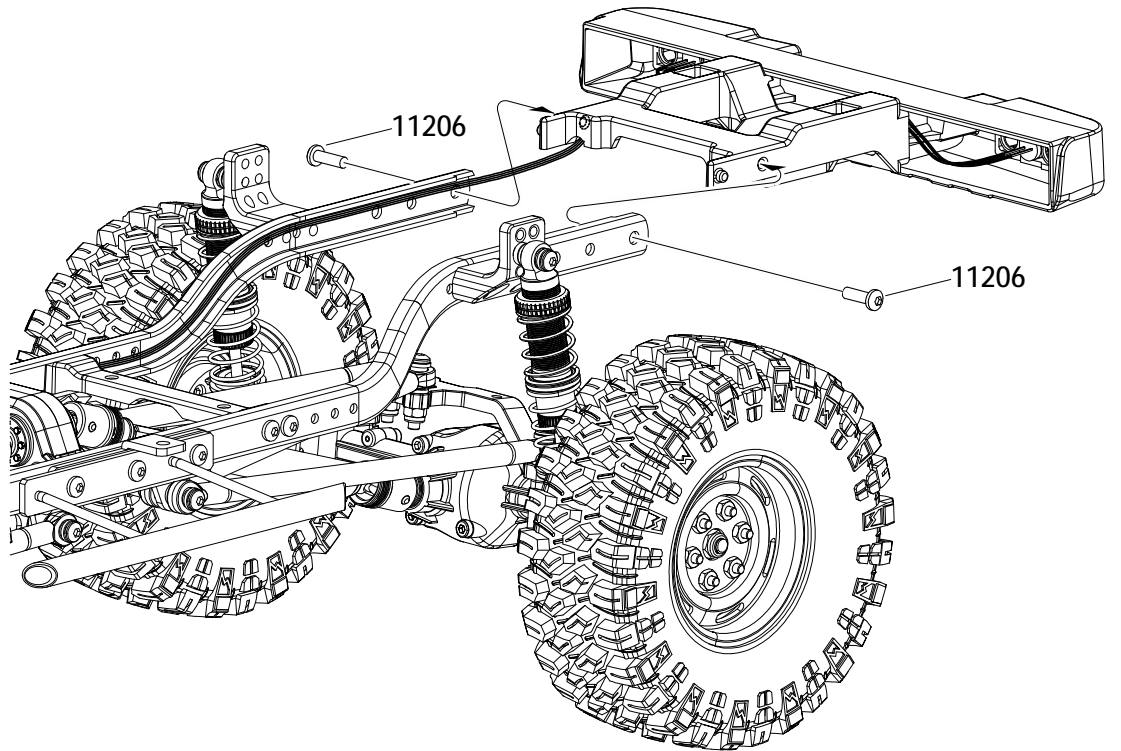
48 SP4(A)/(B)/(C)

11108   
M3x12 X2




49 SP4(A)/(B)/(C)

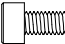
11206   
M3x8 X2

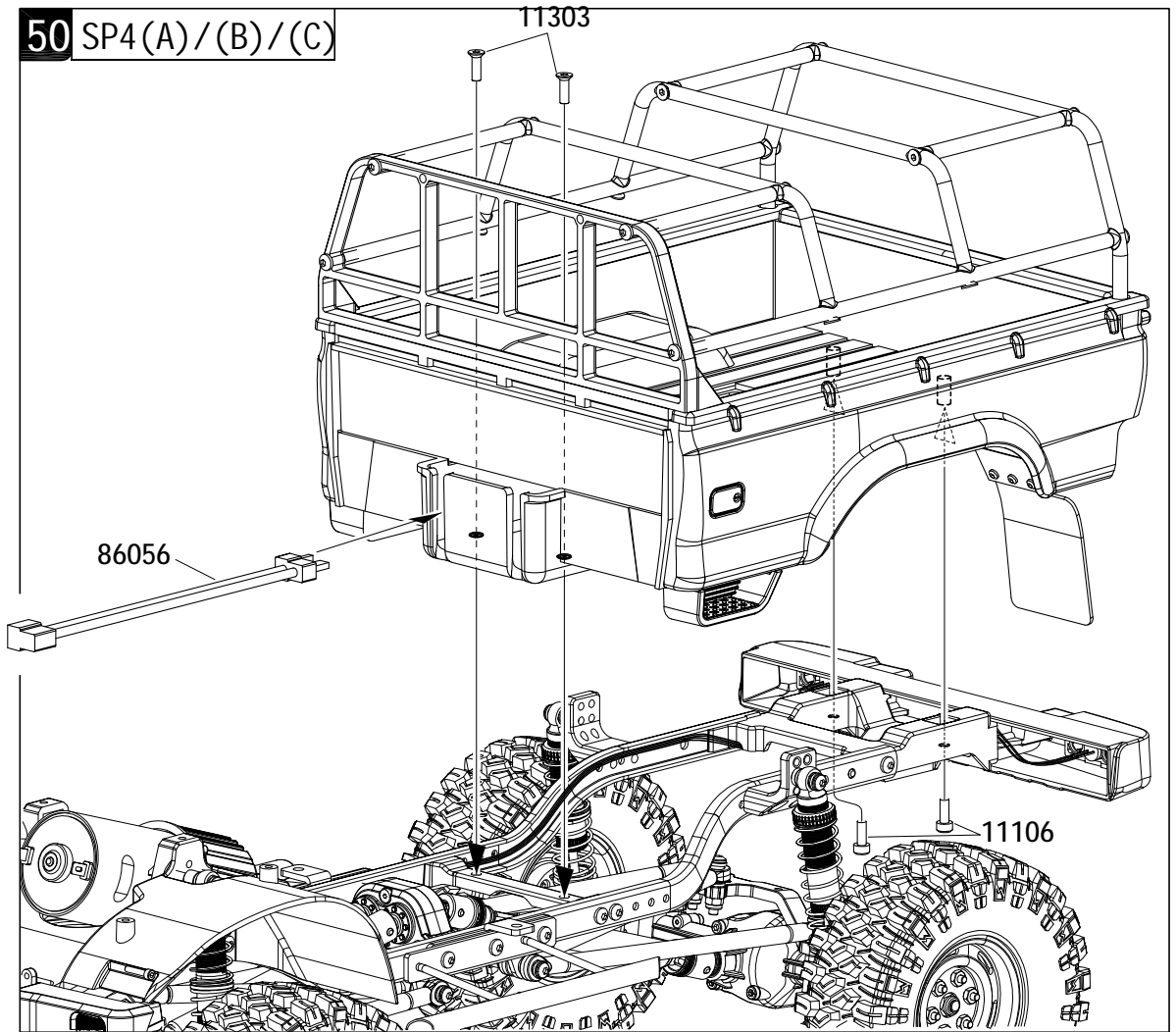


BAG(Y)

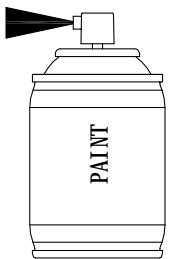
50 SP4(A)/(B)/(C)

11303  M3x8 X2

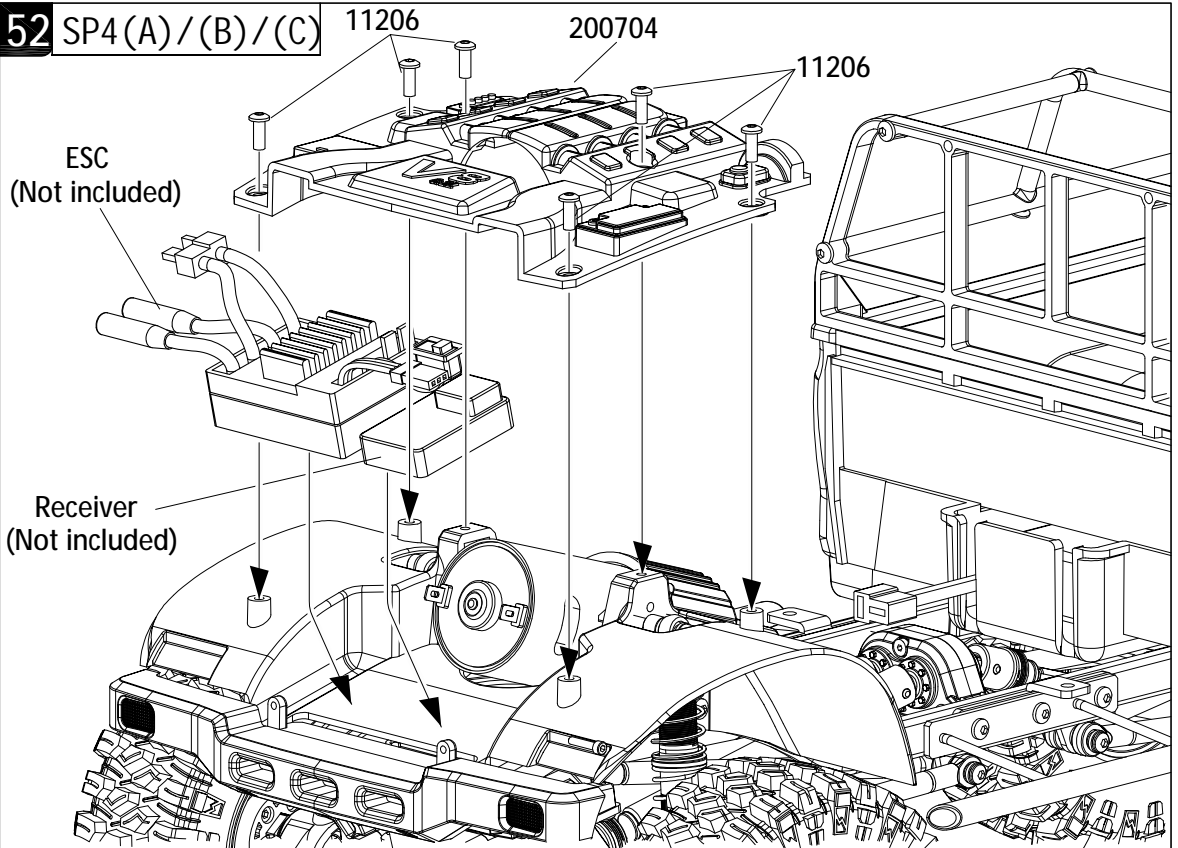
11106  M3x8 X2



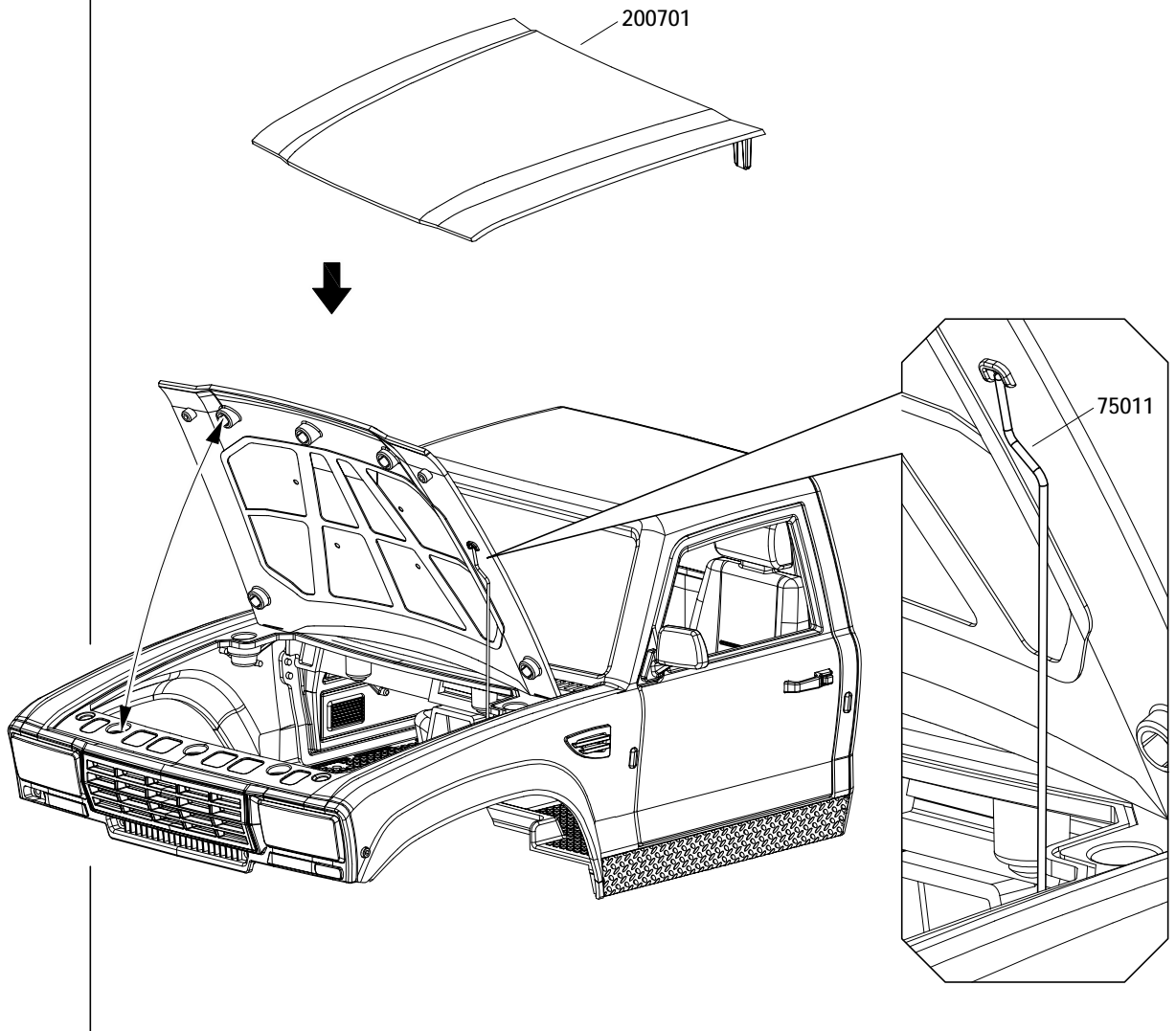
11206  M3x8 X6



52 SP4(A)/(B)/(C)




53 SP4(A)/(B)/(C)





BAG(Y)

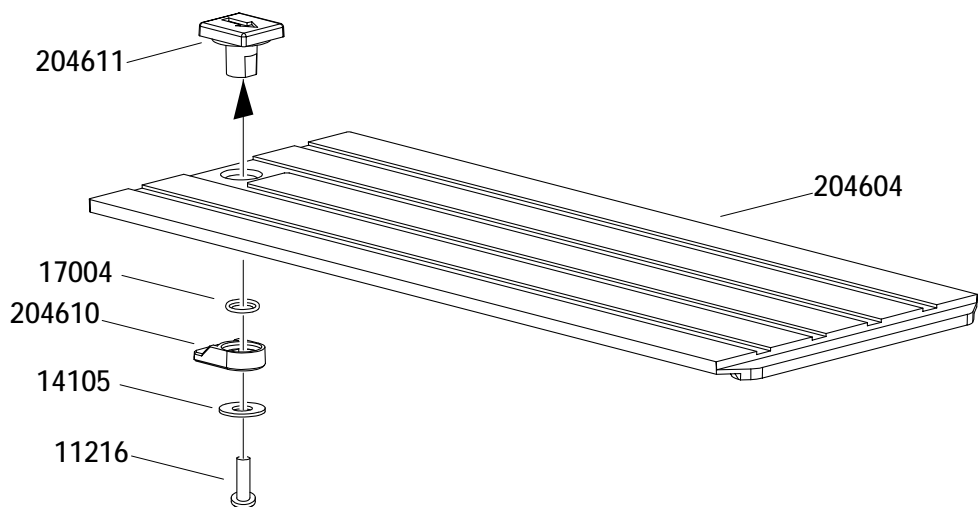
54

SP4(A)/(B)/(C)

11216  M2.5x6 X1

14105   $\varnothing 5 \times \varnothing 2.5 \times 0.4$  X1

17004   $\varnothing 5 \times \varnothing 3 \times \varnothing 1$  X1




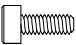


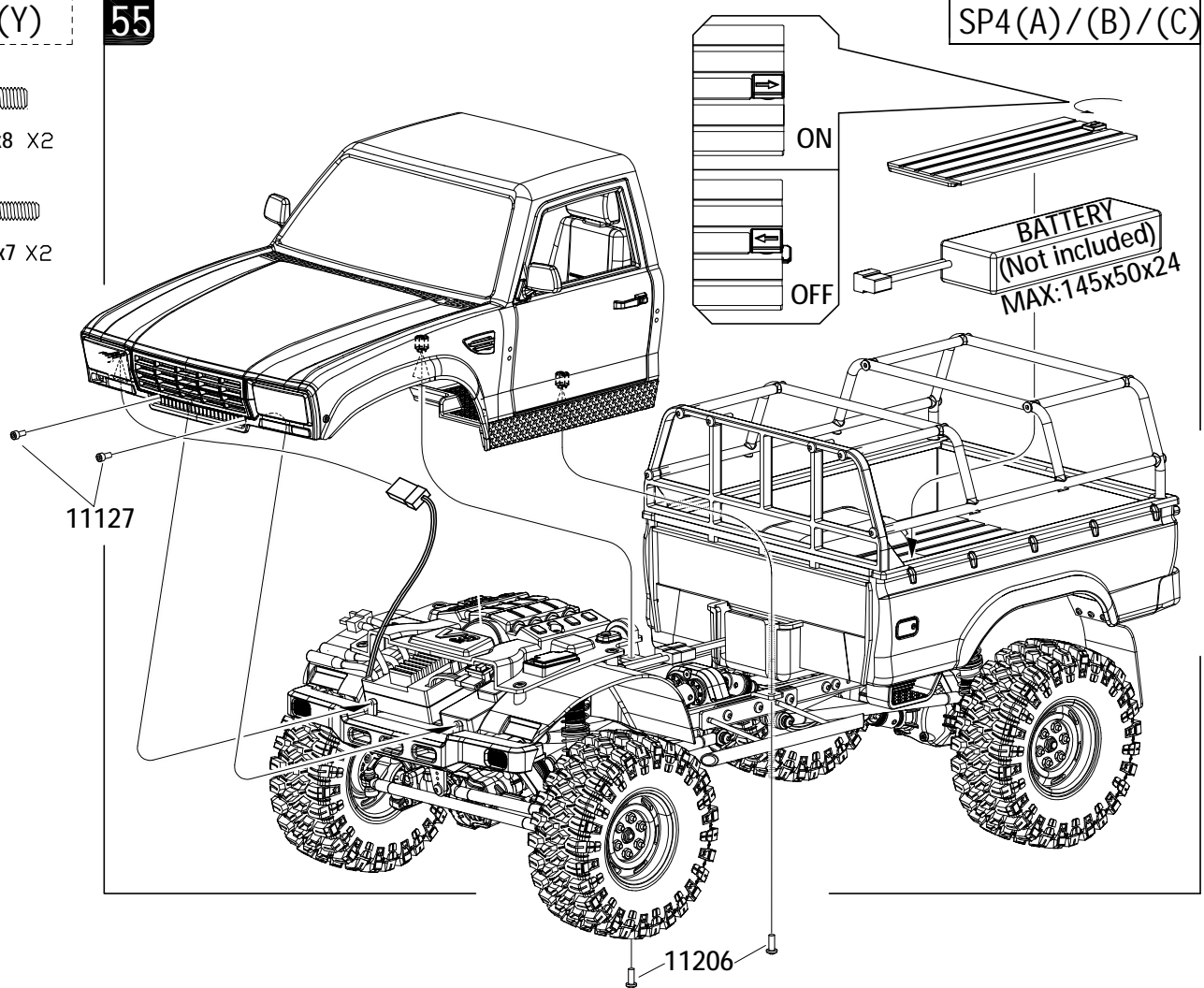
BAG(Y)

55

SP4(A)/(B)/(C)

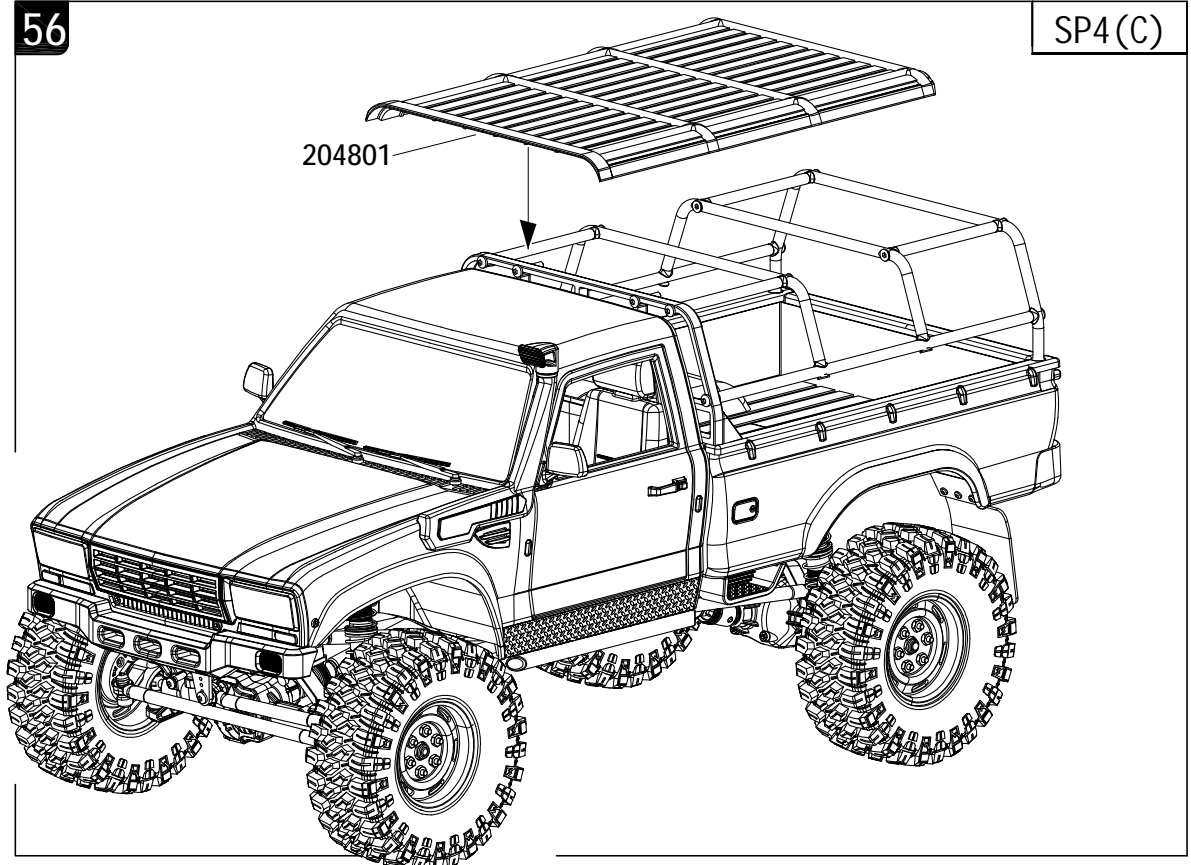
11206   
M3x8 X2

11127   
M2.5x7 X2



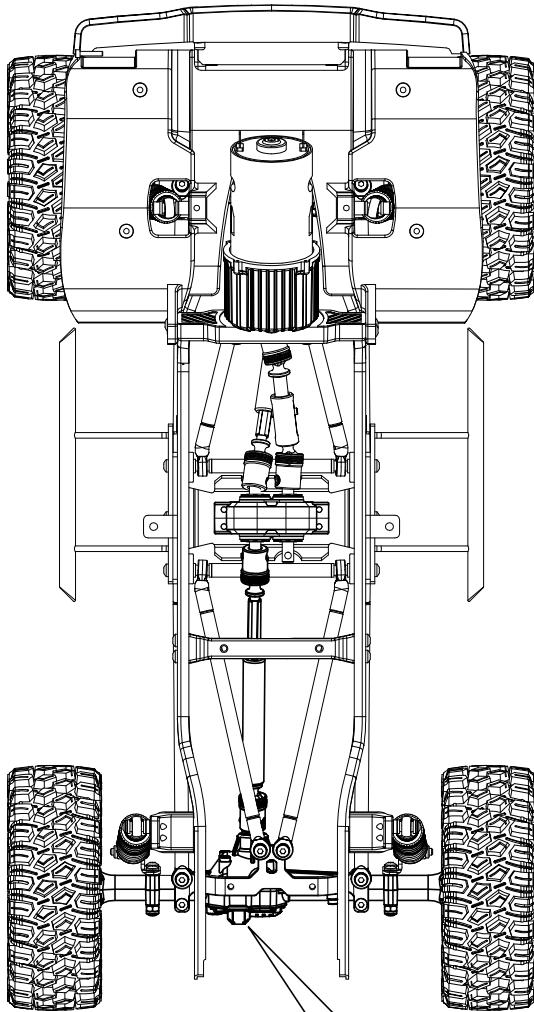
56

SP4(C)

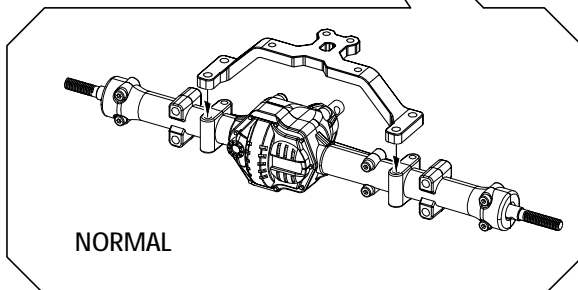
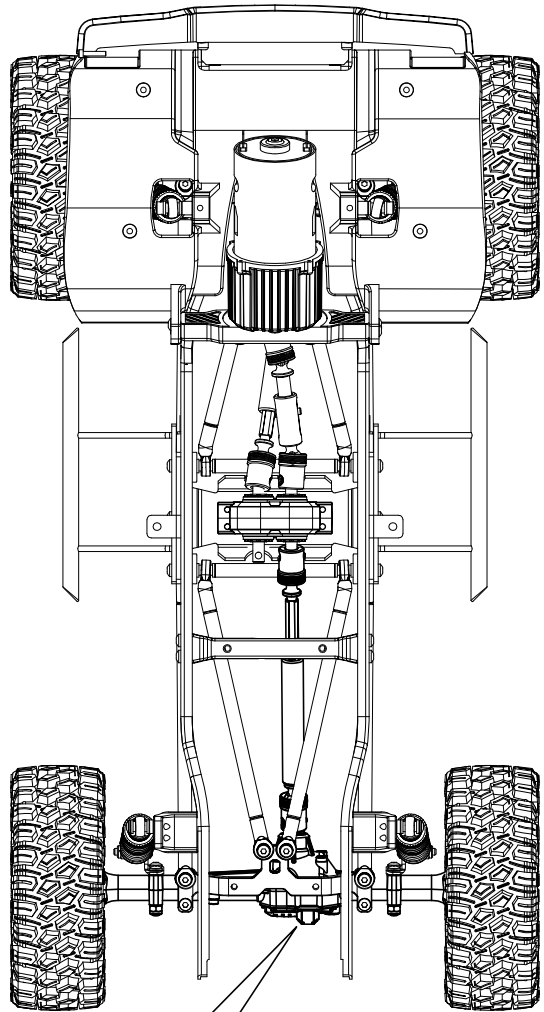


SP4(A)/(B)/(C)

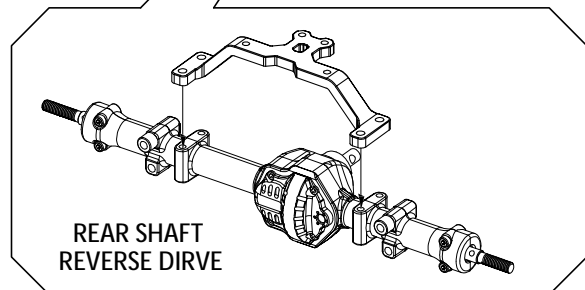
NORMAL



REAR SHAFT  
REVERSE DIRVE



NORMAL



REAR SHAFT  
REVERSE DIRVE