

**CAUTIONS**



To prevent serious personal injury and/or property damage, operate all remotely controlled models in a responsible manner as outlined herein.

**◆ Safety Precautions**

- 1.1 Choose a right place to operate your RC model.
- 1.2 Do not operate your RC model on the street or highway. It can cause a serious damage or a serious accident.
- 1.3 Never operate your RC model near people or animals.
- 1.4 Do not operate RC model in public places like hospital and residential areas.
- 1.5 Never operate RC model indoors. There is a higher possibility of fire or damage.
- 1.6 Keep the parts out of reach of children, small parts can cause choking and vinyl bags can suffocate.
- 1.7 Do not use with children younger than 14 years.

**◆ Inspect your RC model before operation**

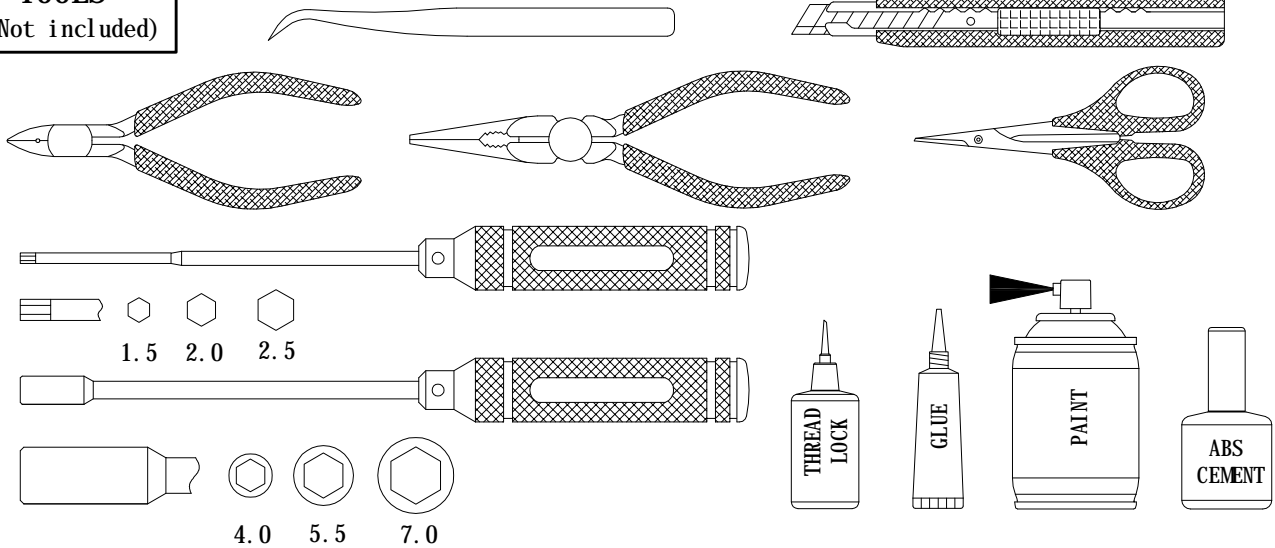
- 2.1 Make sure that all screws and nuts are properly tightened. It is also a good idea to use removable thread lock wherever metal screws go into metal, especially for engine mounts and the engine pilot shaft.
- 2.2 Always use fresh batteries for your transmitter and for your receiver to avoid losing control of the model.
- 2.3 Always test the brakes and throttle before starting your engine to avoid losing control of the model.
- 2.4 Always turn on the transmitter first, and then turn on the receiver.

**◆ After operation of your RC model**

- 3.1 Turn off receiver first, then turn off transmitter, this will prevent runaways.
- 3.2 Be careful when handling batteries, they will be hot after running.
- 3.3 Replace any batteries that have been dented or have frayed wires, short circuits can cause fire.

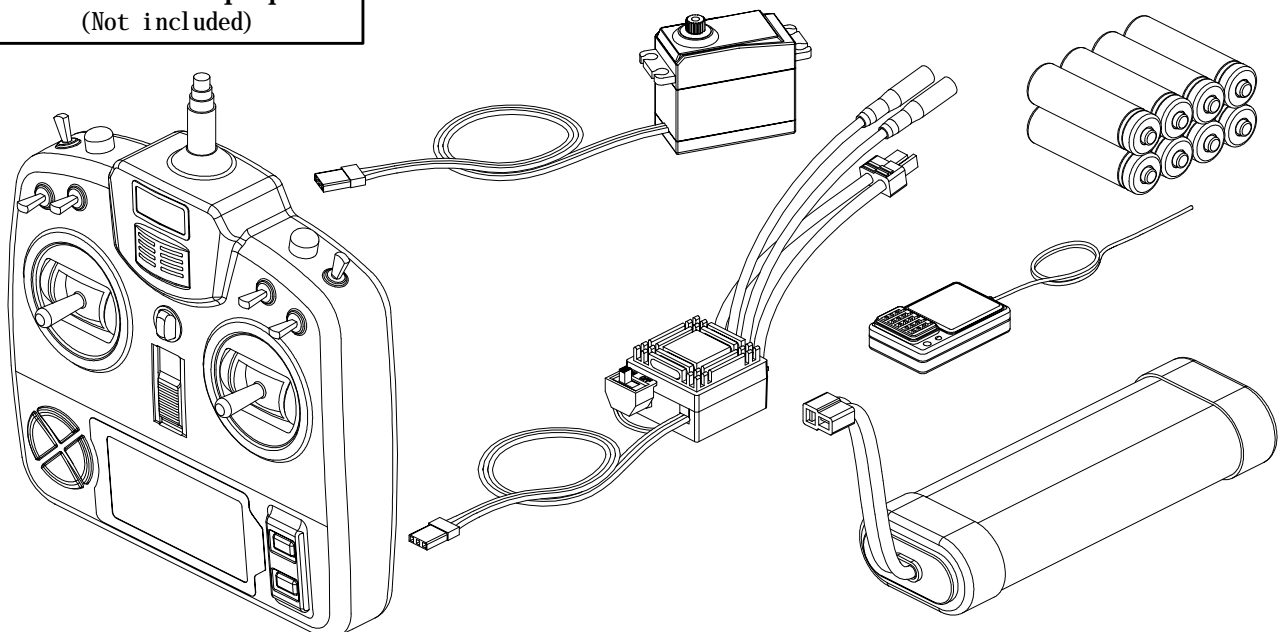
**TOOLS**

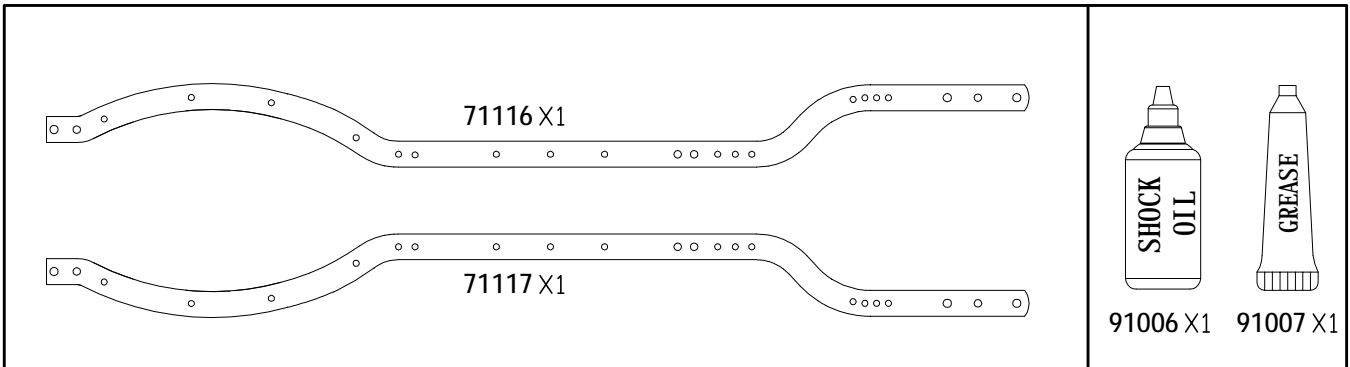
(Not included)



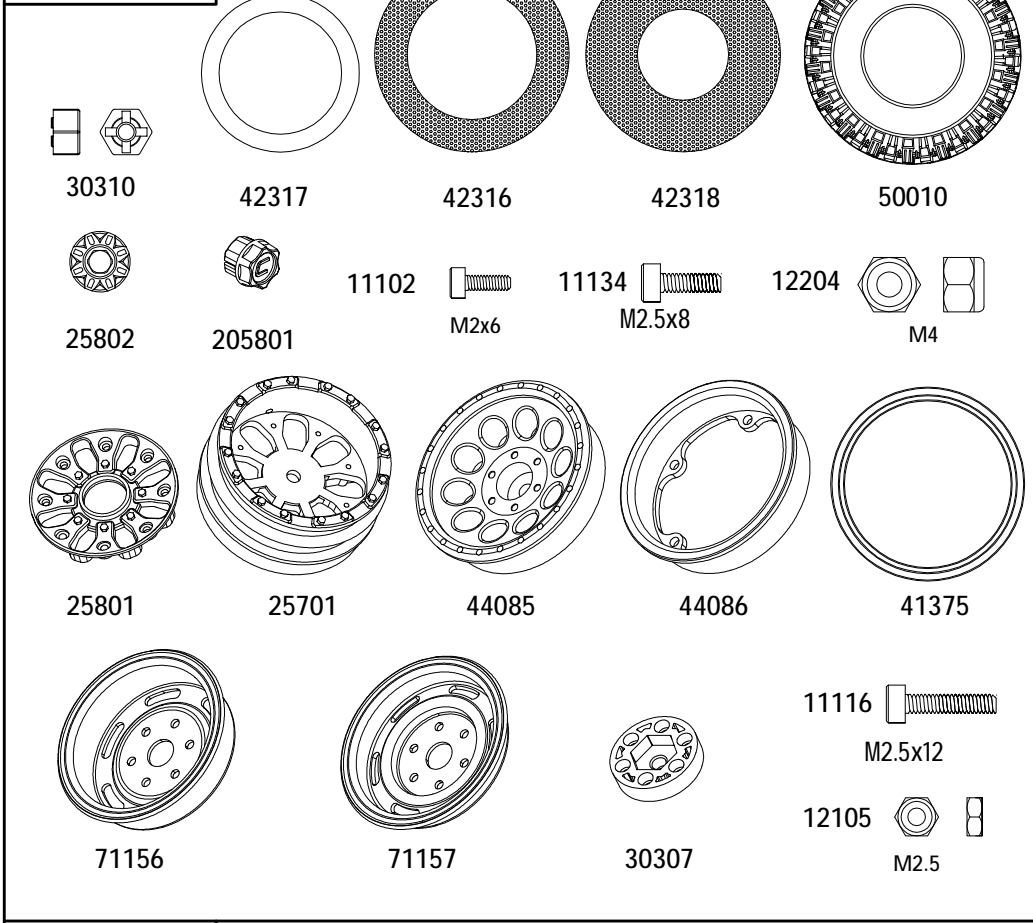
**Electronic equipment**

(Not included)





BAG(A)



SU4(A)

1	30310 X4
2	42318 X4
3	50010 X4
4	25802 X4
5	25801 X4
6	25701 X4
7	11102 X32
8	12204 X4

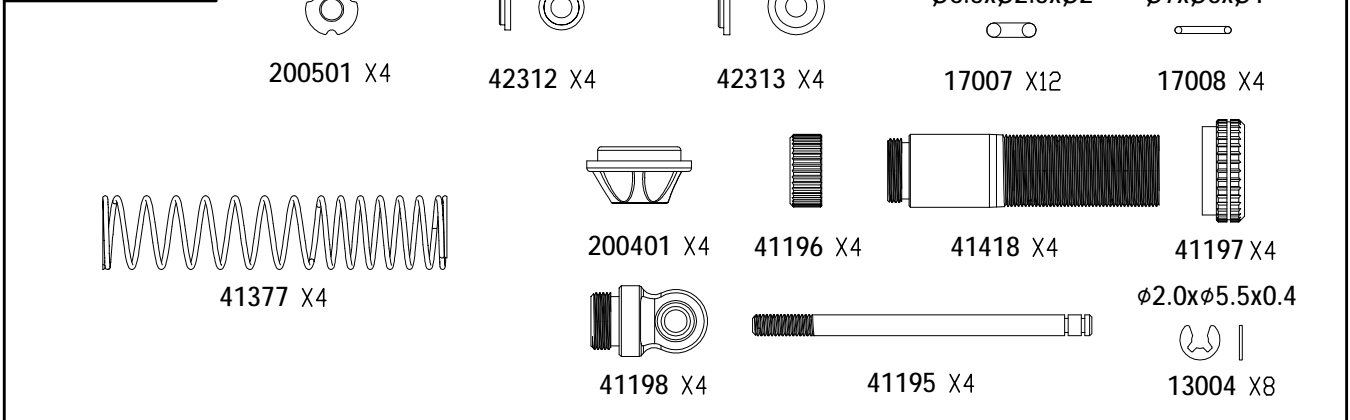
SU4(B)

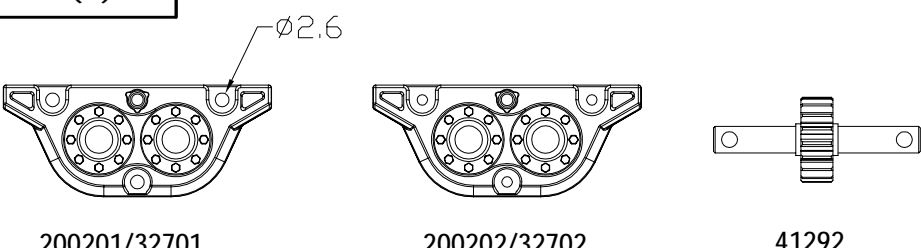
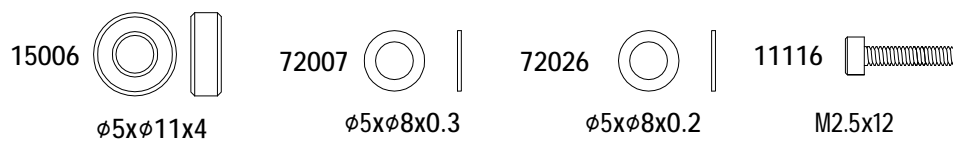
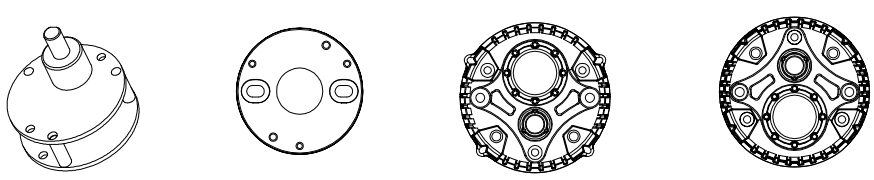
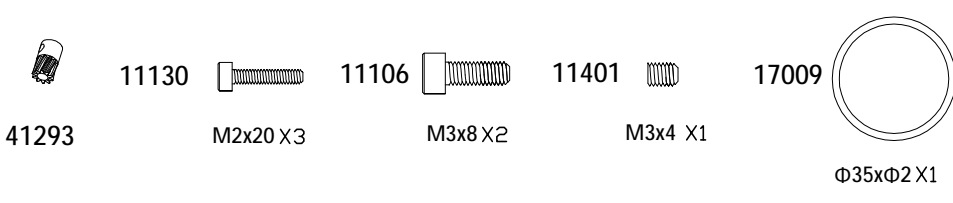
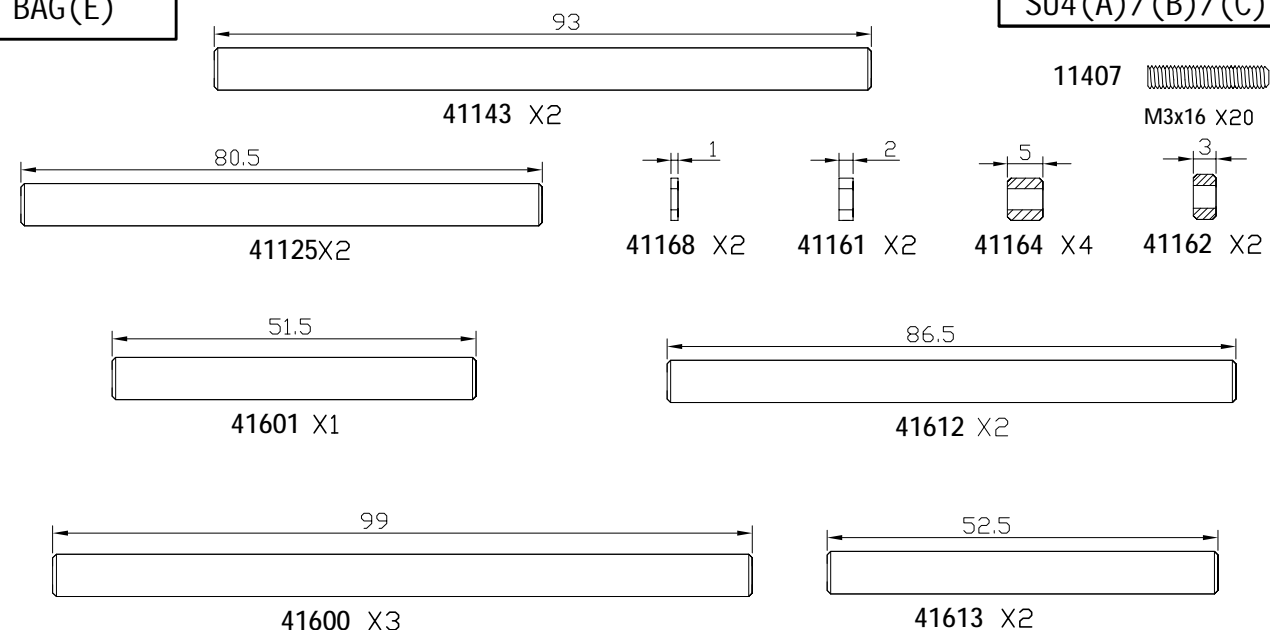
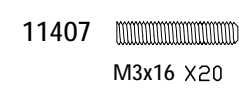
1	30310 X4
2	42318 X4
3	50010 X4
4	71156 X4
5	71157 X4
6	30307 X4
7	41375 X4
8	11116 X24
9	12105 X24
10	12204 X4




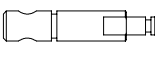
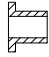
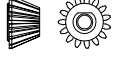
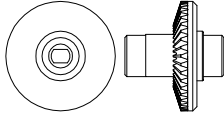
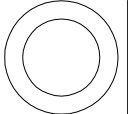



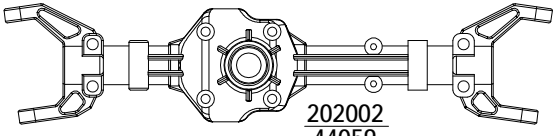

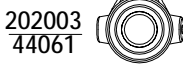
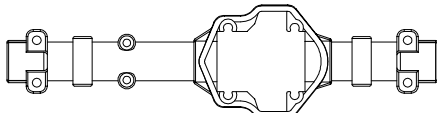
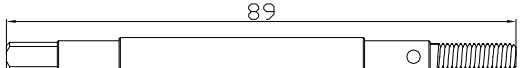
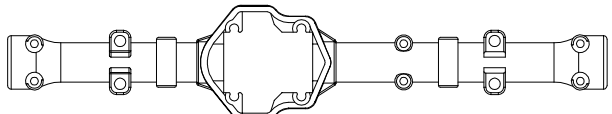
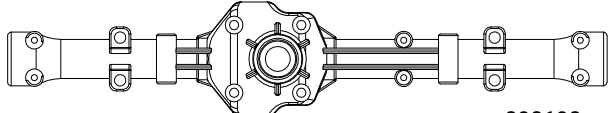
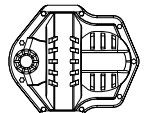

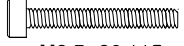







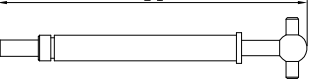
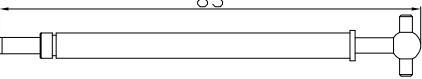
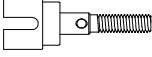

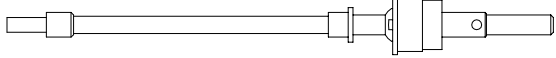
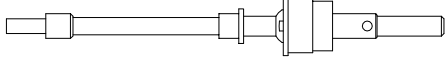
SU4(C)

1	30310 X4
2	42317 X4
3	42316 X4
4	50010 X4
5	44085 X4
6	44086 X4
7	41375 X4
8	11134 X20
9	12204 X4
10	205801 X4

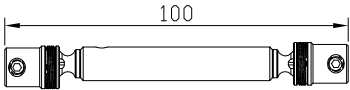

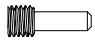
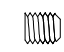
BAG(B)





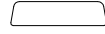

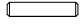

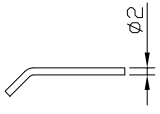
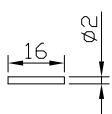

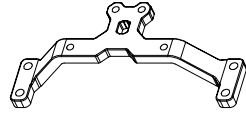




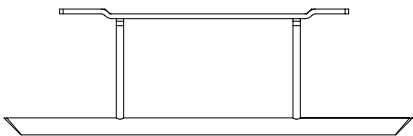
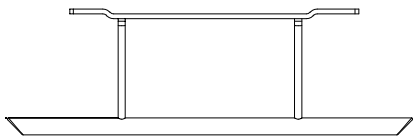
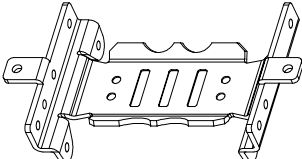


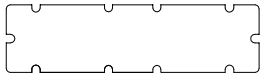
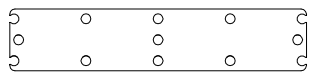
BAG (C)	SU4 (A)																																		
 <p style="text-align: center;">200201/32701                      200202/32702                      41292</p>	<table border="1" style="width: 100%; border-collapse: collapse;"> <tr><td style="width: 20px; text-align: center;">1</td><td>200201 X1</td></tr> <tr><td style="text-align: center;">2</td><td>200202 X1</td></tr> <tr><td style="text-align: center;">3</td><td>41292 X2</td></tr> <tr><td style="text-align: center;">4</td><td>15006 X4</td></tr> <tr><td style="text-align: center;">5</td><td>72026 X4</td></tr> <tr><td style="text-align: center;">6</td><td>11116 X3</td></tr> <tr><td colspan="2" style="text-align: center;"><b>SU4 (B) / (C)</b></td></tr> <tr><td style="text-align: center;">1</td><td>32701 X1</td></tr> <tr><td style="text-align: center;">2</td><td>32702 X1</td></tr> <tr><td style="text-align: center;">3</td><td>41292 X2</td></tr> <tr><td style="text-align: center;">4</td><td>15006 X4</td></tr> <tr><td style="text-align: center;">5</td><td>72007 X4</td></tr> <tr><td style="text-align: center;">6</td><td>11116 X3</td></tr> </table>	1	200201 X1	2	200202 X1	3	41292 X2	4	15006 X4	5	72026 X4	6	11116 X3	<b>SU4 (B) / (C)</b>		1	32701 X1	2	32702 X1	3	41292 X2	4	15006 X4	5	72007 X4	6	11116 X3								
1	200201 X1																																		
2	200202 X1																																		
3	41292 X2																																		
4	15006 X4																																		
5	72026 X4																																		
6	11116 X3																																		
<b>SU4 (B) / (C)</b>																																			
1	32701 X1																																		
2	32702 X1																																		
3	41292 X2																																		
4	15006 X4																																		
5	72007 X4																																		
6	11116 X3																																		
 <p style="text-align: center;">15006                      72007                      72026                      11116</p> <p style="text-align: center;"><math>\phi 5 \times \phi 11 \times 4</math>                      <math>\phi 5 \times \phi 8 \times 0.3</math>                      <math>\phi 5 \times \phi 8 \times 0.2</math>                      M2.5x12</p>																																			
BAG (D)	SU4 (A)																																		
 <p style="text-align: center;">95028                      32704                      200203                      32703</p>	<table border="1" style="width: 100%; border-collapse: collapse;"> <tr><td style="width: 20px; text-align: center;">1</td><td>95028 X1</td></tr> <tr><td style="text-align: center;">2</td><td>32704 X1</td></tr> <tr><td style="text-align: center;">3</td><td>200203 X1</td></tr> <tr><td style="text-align: center;">4</td><td>41293 X1</td></tr> <tr><td style="text-align: center;">5</td><td>11130 X3</td></tr> <tr><td style="text-align: center;">6</td><td>17009 X1</td></tr> <tr><td style="text-align: center;">7</td><td>11106 X2</td></tr> <tr><td style="text-align: center;">8</td><td>11401 X1</td></tr> <tr><td colspan="2" style="text-align: center;"><b>SU4 (B) / (C)</b></td></tr> <tr><td style="text-align: center;">1</td><td>95028 X1</td></tr> <tr><td style="text-align: center;">2</td><td>32704 X1</td></tr> <tr><td style="text-align: center;">3</td><td>32703 X1</td></tr> <tr><td style="text-align: center;">4</td><td>41293 X1</td></tr> <tr><td style="text-align: center;">5</td><td>11130 X3</td></tr> <tr><td style="text-align: center;">6</td><td>17009 X1</td></tr> <tr><td style="text-align: center;">7</td><td>11106 X2</td></tr> <tr><td style="text-align: center;">8</td><td>11401 X1</td></tr> </table>	1	95028 X1	2	32704 X1	3	200203 X1	4	41293 X1	5	11130 X3	6	17009 X1	7	11106 X2	8	11401 X1	<b>SU4 (B) / (C)</b>		1	95028 X1	2	32704 X1	3	32703 X1	4	41293 X1	5	11130 X3	6	17009 X1	7	11106 X2	8	11401 X1
1	95028 X1																																		
2	32704 X1																																		
3	200203 X1																																		
4	41293 X1																																		
5	11130 X3																																		
6	17009 X1																																		
7	11106 X2																																		
8	11401 X1																																		
<b>SU4 (B) / (C)</b>																																			
1	95028 X1																																		
2	32704 X1																																		
3	32703 X1																																		
4	41293 X1																																		
5	11130 X3																																		
6	17009 X1																																		
7	11106 X2																																		
8	11401 X1																																		
 <p style="text-align: center;">41293                      11130                      11106                      11401                      17009</p> <p style="text-align: center;">M2x20 X3                      M3x8 X2                      M3x4 X1                      <math>\phi 35 \times \phi 2 \times 1</math></p>																																			
BAG (E)	SU4 (A) / (B) / (C)																																		
 <p style="text-align: center;">93 41143 X2</p> <p style="text-align: center;">80.5 41125 X2</p> <p style="text-align: center;">51.5 41601 X1</p> <p style="text-align: center;">99 41600 X3</p> <p style="text-align: center;">86.5 41612 X2</p> <p style="text-align: center;">52.5 41613 X2</p>	 <p style="text-align: center;">11407                      M3x16 X20</p> <p style="text-align: center;">1                      2                      5                      3</p> <p style="text-align: center;">41168 X2                      41161 X2                      41164 X4                      41162 X2</p>																																		

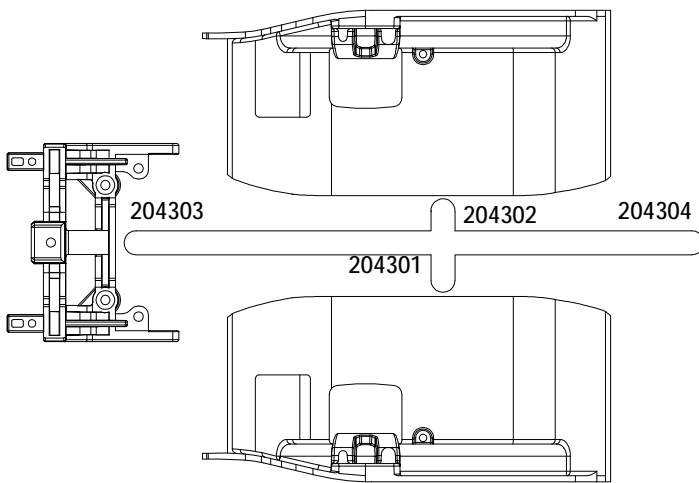
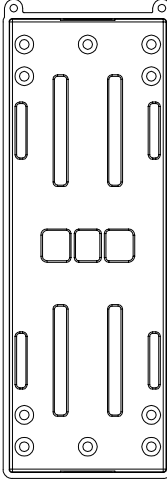
<p>BAG(F)</p>	<p>SU4(A)/(B)/(C)</p>			
<p>13003  X2  <math>\phi 2.5 \times \phi 6 \times 0.4</math> X2</p>	<p>13002  X2  <math>\phi 3.8 \times \phi 9.2 \times 0.6</math> X2</p>	<p>72007  X2  <math>\phi 5 \times \phi 8 \times 0.3</math> X2</p>	<p> X2          41246 X2</p>	<p> X4          41205 X4</p>
<p> X2          32101(15T) X2</p>	<p> X2          32102(40T) X2</p>	<p>72008  X4  <math>\phi 10.2 \times \phi 15 \times 0.2</math> X4</p>	<p> X10  <math>\phi 5 \times \phi 10 \times 4</math> X10</p>	<p> X6  <math>\phi 10 \times \phi 15 \times 4</math> X6</p>
<p>111  X1          41249 X1            202002 44059   202004 44060   202003 44061   202001 44058</p>		<p>89  X1          41247 X1   202101 44063   202102 44064   201901 X2 44062 X2</p>		
				<p>SU4(A)/(B)</p>
<p>12206  X8          M2 X8</p>	<p>11120  X8          M2.5x20 X8</p>	<p>11111  X4          M3x18 X4</p>	<p>11207  X4          M3x10 X4</p>	<p>11133  X8          M2x12 X8</p>
				<p>SU4(C)</p>
<p>11104  X4          M2x10 X4</p>	<p>11126  X8          M2x14 X8</p>	<p>11207  X4          M3x10 X4</p>	<p>11111  X4          M3x18 X4</p>	
				<p>SU4(A)</p>
<p>61  X1          41248 X1</p>	<p>83  X1          41250 X1</p>	<p> X2          41208 X2</p>	<p>13002  X2  <math>\phi 3.8 \times \phi 9.2 \times 0.6</math> X2</p>	
				<p>SU4(B)/SU4(C)</p>
<p> X1          41288 X1</p>		<p> X1          41287 X1</p>		



<b>BAG(G)</b>	<b>SU4(A)/(B)/(C)</b>			
 <p>95033 X2</p>	 <p>95034 X1</p>	 <p>M4x11 X5 11409</p>	 <p>M4x4 X1 11405</p>	

<b>BAG(H)</b>						<b>SU4(A)/(B)/(C)</b>
 <p>71160 X2</p>	 <p>71025 X1</p>	 <p>73045 X1</p>	 <p>73046 X1</p>	 <p>73047 X1</p>	 <p>71126 X2</p>	
 <p>41209 X4</p>	 <p>94029 X17</p>	 <p>75009 X1</p>	 <p>75010 X1</p>	 <p>75011 X1</p>	 <p>73042 X2</p>	
 <p>73054 X1</p>	 <p>73066 X1</p>	 <p>73067 X1</p>	 <p>73055 X1</p>			
 <p>75014(Left)</p>	 <p>75015(Right)</p>			 <p>73044</p>		

<b>SU4(A)/(B)</b>	<b>SU4(C)</b>
 <p>71125 X1</p>	 <p>71124 X1</p>

<b>BAG(I)</b>	<b>SU4(A)/(B)/(C)</b>	
 <p>204303      204302      204304 204301</p>		

**BAG(J)** **SU4(A)/(B)/(C)**

201602 X2

201504 X1

201601 X1

201603 X1

**BAG(K)** **SU4(A)/(B)/(C)**

204202

204201

205301

205304

205303

27407 X2

204208 X2  
(SU4(B)/(C): Not included)

**BAG(L)** **SU4(A)/(B)/(C)**

200104

200103

200101

200102

2001

41336 X24

2001x2

**BAG(M)** **SU4(A)/(B)/(C)**

200801

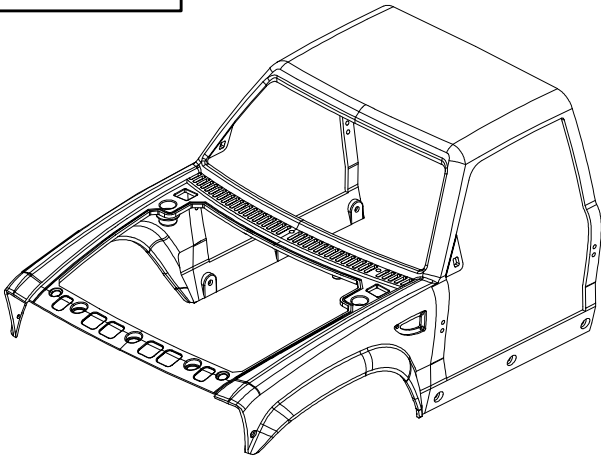
200802

21908 X2

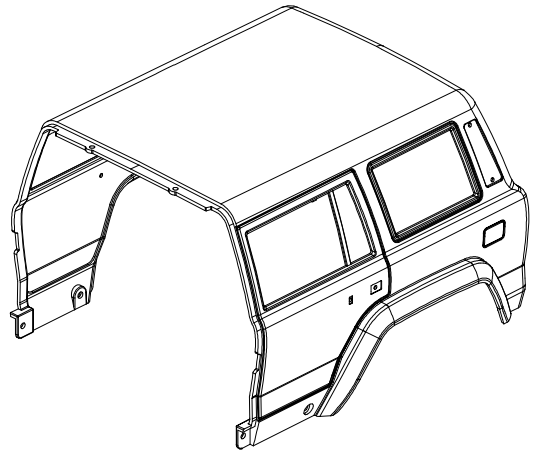
BAG(N)	SU4(A)/(B)/(C)		
		SU4(A)/(B)/(C)	
BAG(O)	SU4(A)/(B)/(C)		
BAG(P)	SU4(A)/(B)/(C)		

BAG(R)

SU4(A)/(B)/(C)



200601



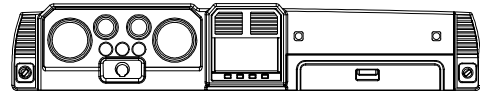
205401

BAG(S)

SU4(A)/(B)/(C)



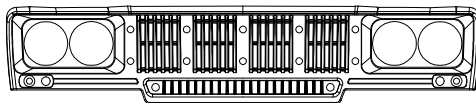
200903



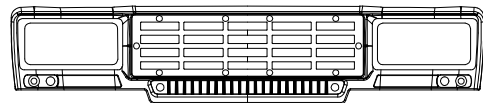
200902

SU4(C)

SU4(A)/(B)/(C)



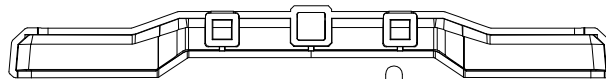
200907



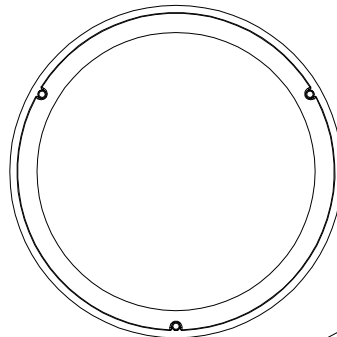
SU4(A)/(B)200905  
SU4C:200908

BAG(T)

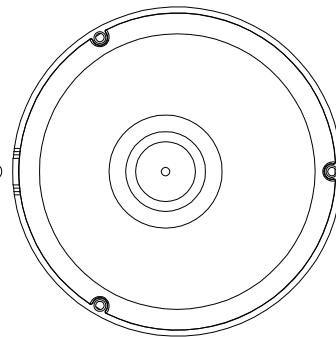
SU4(A)/(B)/(C)



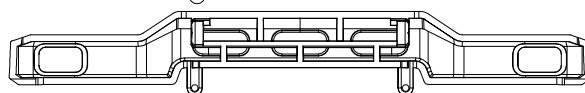
SU4(A)/(B): 205001  
SU4(C): 205007



205002



205003



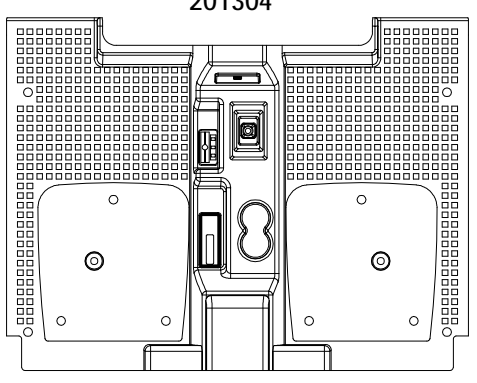
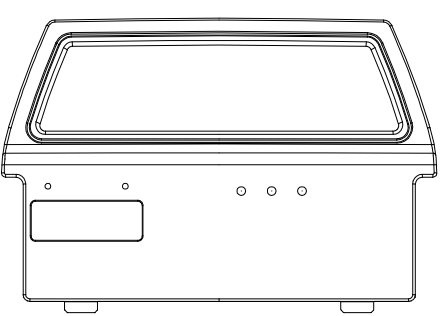
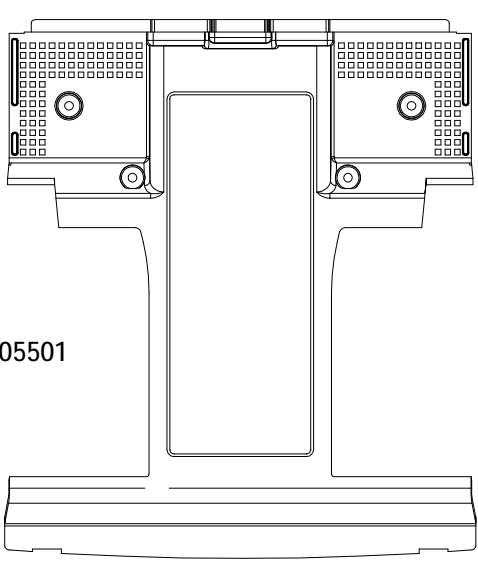

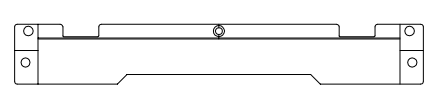
SU4(A)/(B): 200906  
SU4(C): 200909

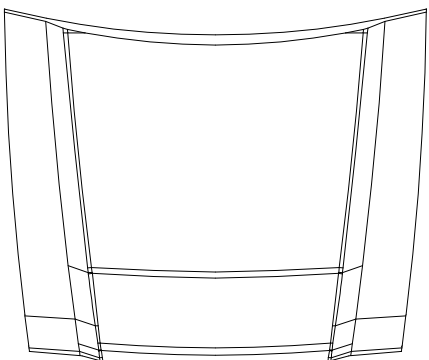
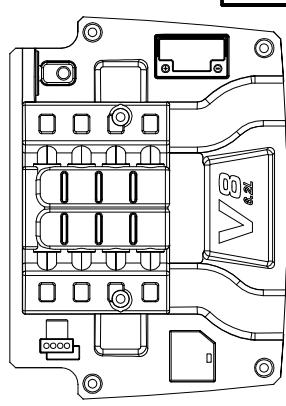
**BAG(U)** **SU4(A)/(B)/(C)**

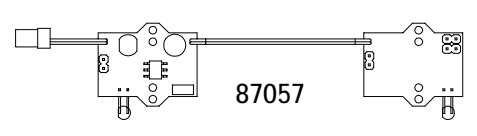
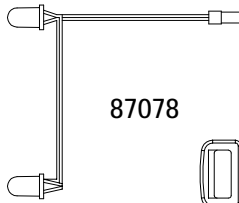

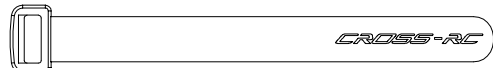
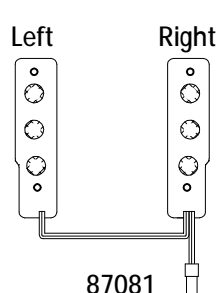
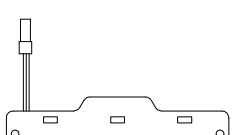
201106 201107 201110 201103 201105 201102 201108 201104 201111 201101 201109 201112












































**BAG(V)** **SU4(A)/(B)/(C)**

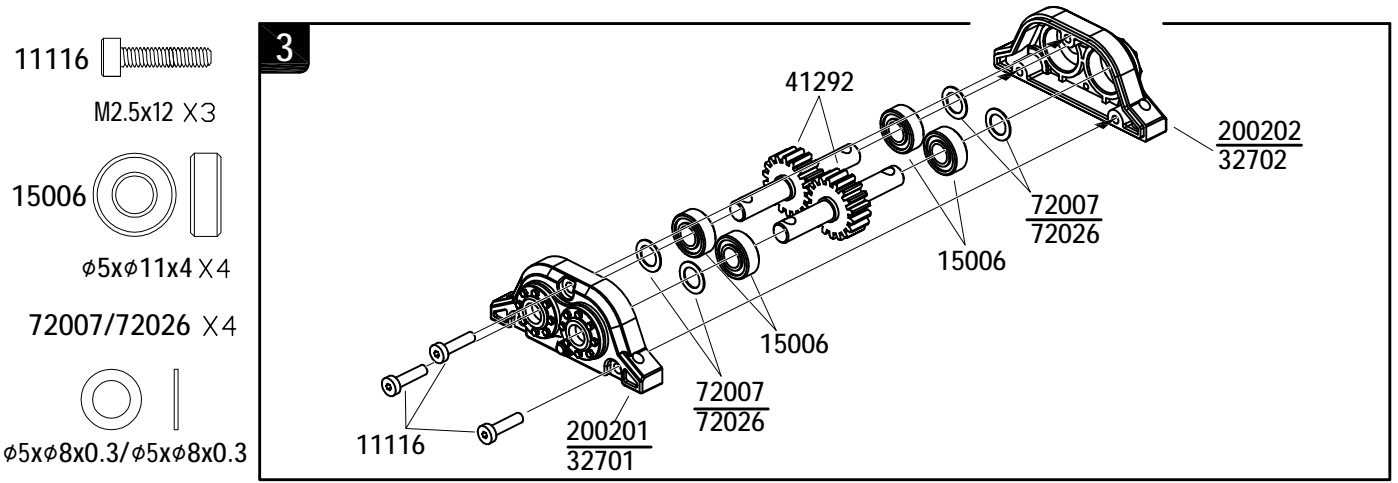
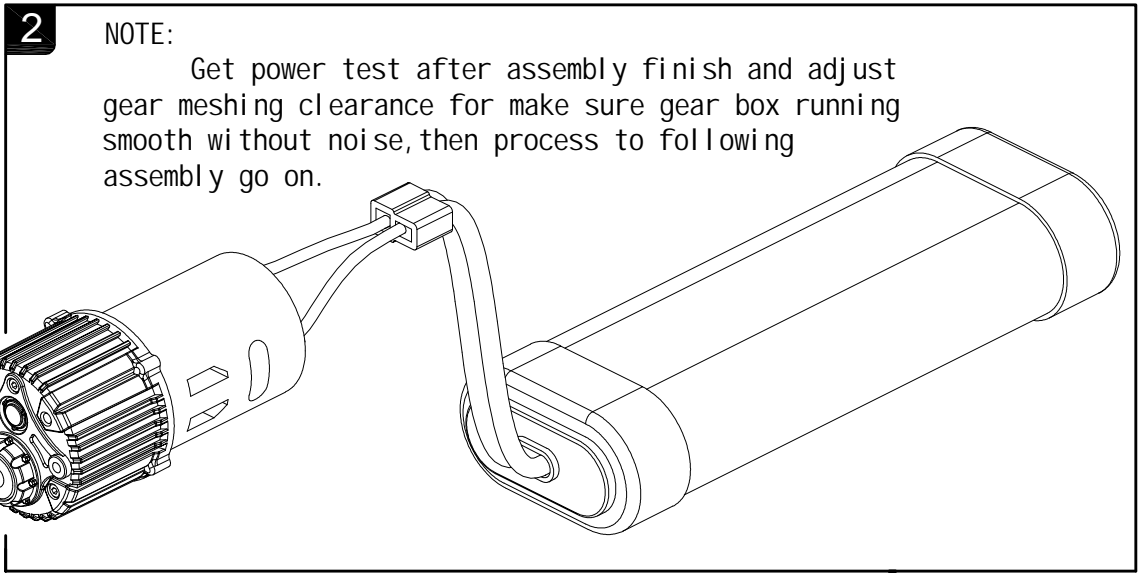
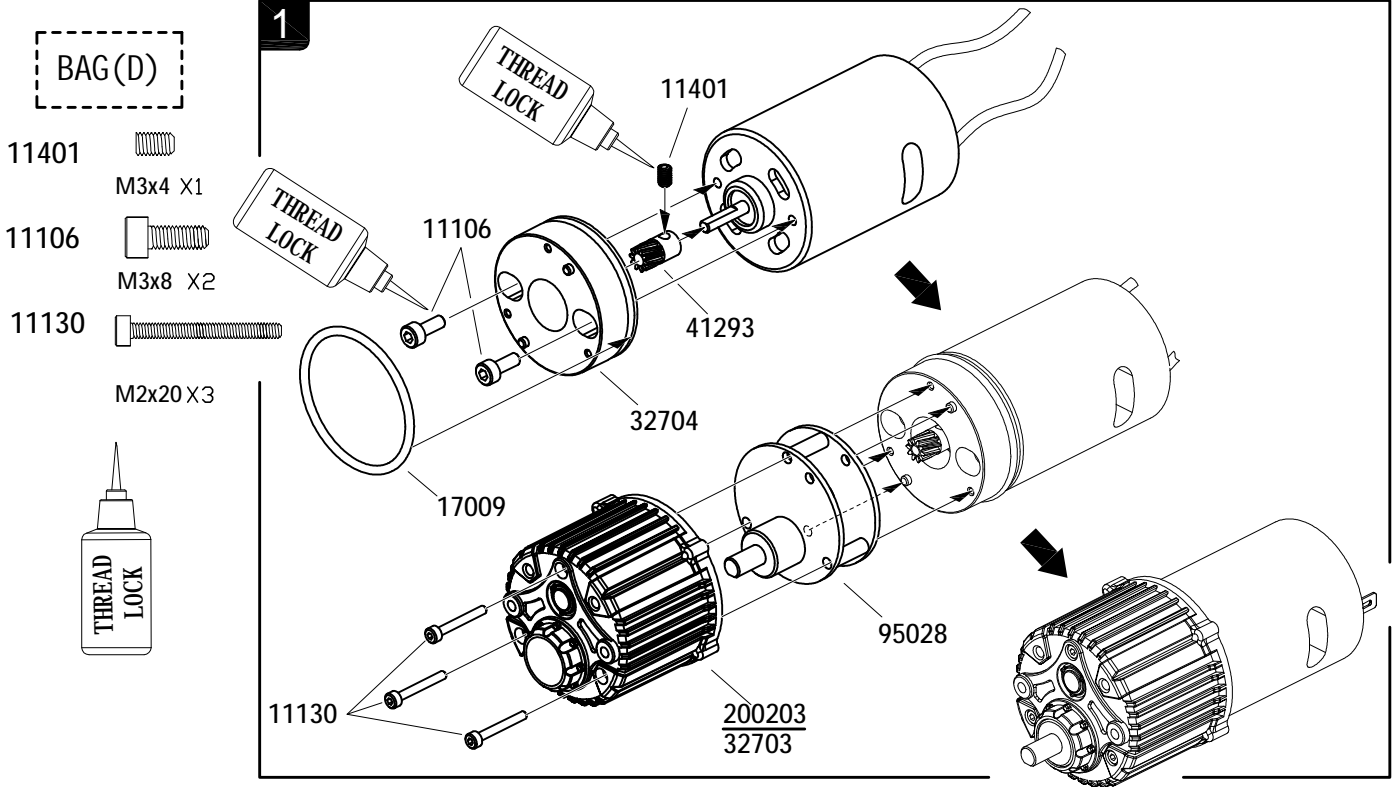
205603 (SU4A: Not included) 205607 205606 (SU4A: Not included) 205605 (SU4A: Not included) 205608 205601 205604 (SU4A: Not included) 205602 201202 X2 204907 (SU4A: Not included) 204901 204902 204909 X4 (SU4A: Not included) 204910 X4 201203 X2 204908 (SU4A: Not included) 204903 (SU4A: Not included) 204904 (SU4A: Not included) 204905 X2 (SU4A: Not included) 204906 X2 (SU4A: Not included) 201201 X2

<b>BAG(W)</b>	<b>SU4(A)/(B)/(C)</b>
 <p style="text-align: center;">201304</p>  <p style="text-align: center;">205502</p>	 <p style="text-align: center;">205501</p>  <p style="text-align: center;">205503</p>  <p style="text-align: center;">205504</p>

<b>BAG(X)</b>	<b>SU4(A)/(B)/(C)</b>
 <p style="text-align: center;">200701</p>	 <p style="text-align: center;">200704</p>

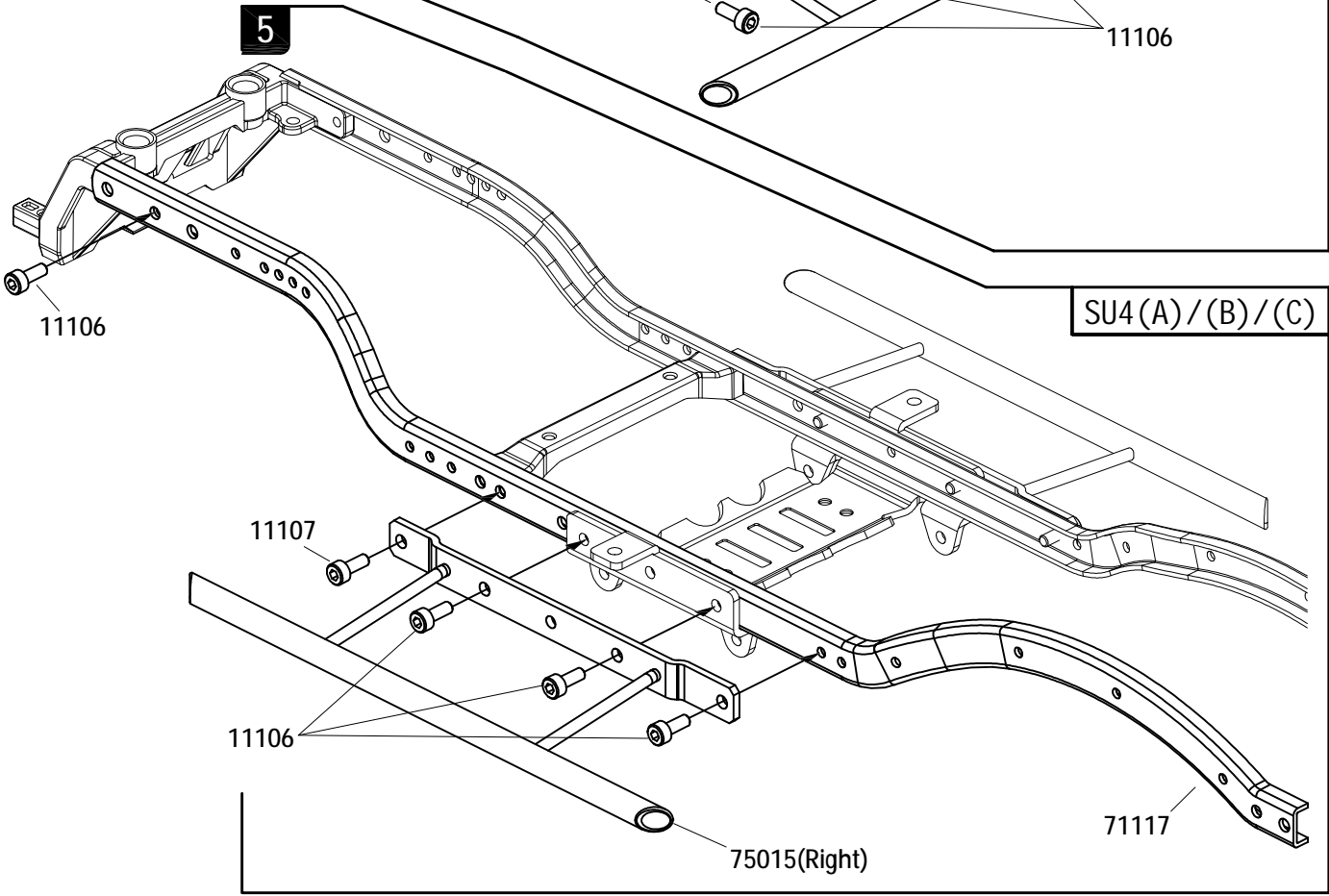
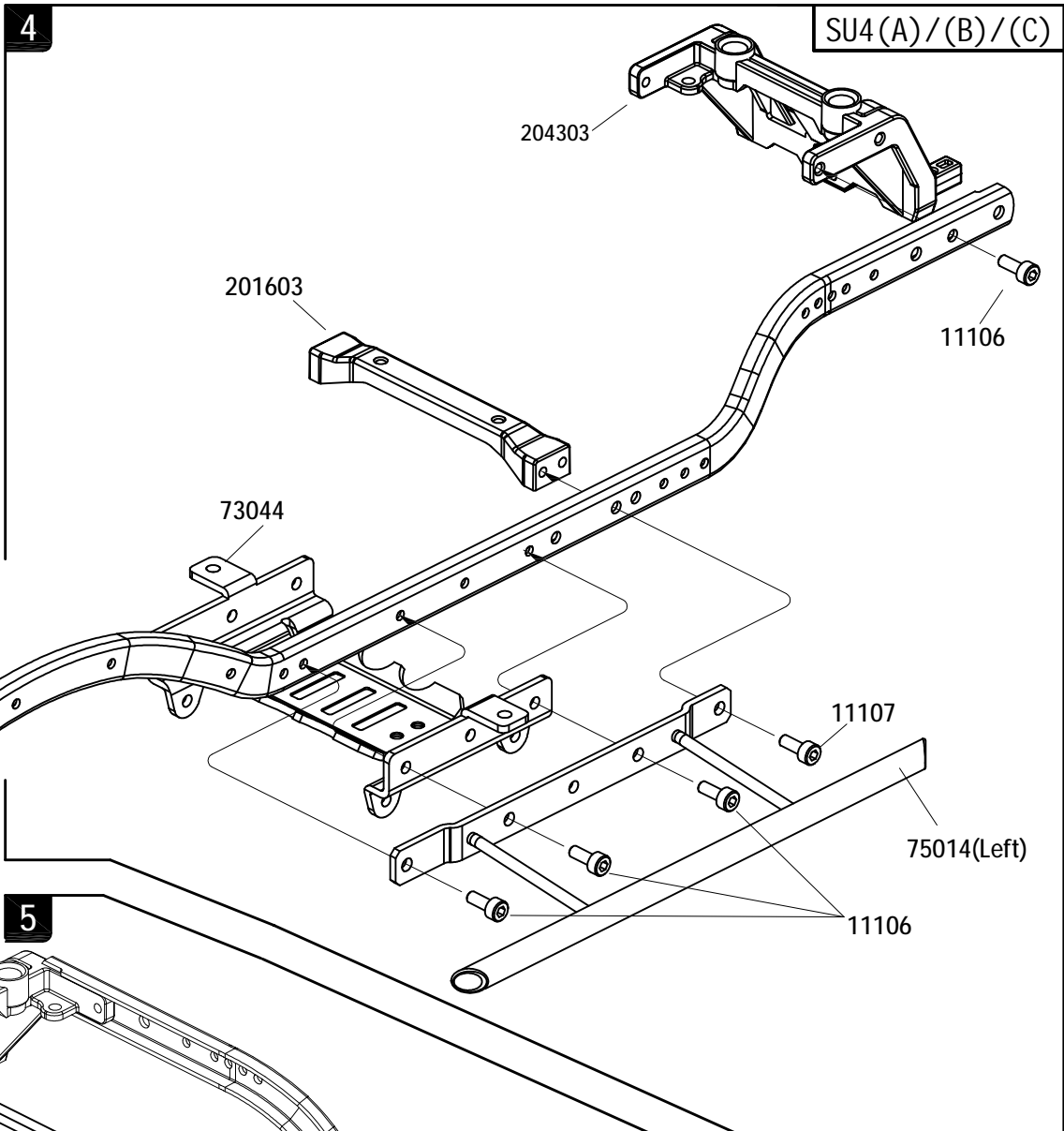
<b>BAG(Y)</b>	<b>SU4(A)/(B)/(C)</b>	<b>SU4(B)/(C)</b>
 <p style="text-align: center;">87057</p>  <p style="text-align: center;">87078</p>  <p style="text-align: center;">86085</p>  <p style="text-align: center;">91004 X1</p>	 <p style="text-align: center;">87081</p>	 <p style="text-align: center;">87059</p>

BAG(Z)	SU4(A)/(B)/(C)			
11704  M1.6x6 X4	11102  M2x6 X6	11133  M2x12 X10		
11206  M3x8 X24	11106  M3x8 X32	11108  M3x12 X2	11111  M3x18 X2	
11207  M3x10 X2	11107  M3x10 X2	11112  M3x20 X4	11114  M3x25 X8	
11211  M3x18 X4	11127  M2.5x7 X8	11125  M2.5x10 X2	11303  M3x8 X23	
11212  M3x20 X4	12105  M2.5 X6		12203  M3 X10	
BAG(AA)	SU4(A)			
12203  M3 X7		14102  $\phi 3 \times \phi 7 \times 0.5 \times 4$	11106  M3x8 X1	11107  M3x10 X4
11109  M3x14 X1	11111  M3x18 X1	11114  M3x25 X3	11117  M3x30 X2	
BAG(BB)	SU4(B)			
12203  M3 X7	14102  $\phi 3 \times \phi 7 \times 0.5 \times 4$	11102  M2x6 X2	11106  M3x8 X1	11107  M3x10 X4
11109  M3x14 X1	11111  M3x18 X3	11114  M3x25 X1	11115  M3x28 X2	
BAG(CC)	SU4(C)			
12203  M3 X3	14102  $\phi 3 \times \phi 7 \times 0.5 \times 4$	11102  M2x6 X2	11106  M3x8 X1	11107  M3x10 X4
11109  M3x14 X4	11113  M3x22 X1	11115  M3x28 X2		

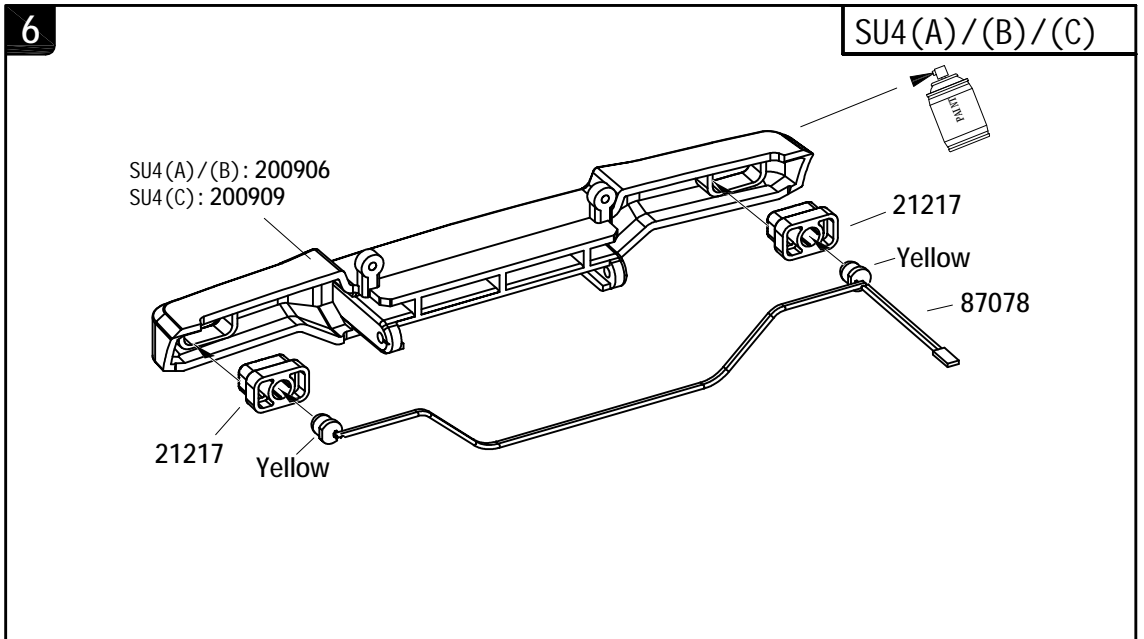




BAG(Z)



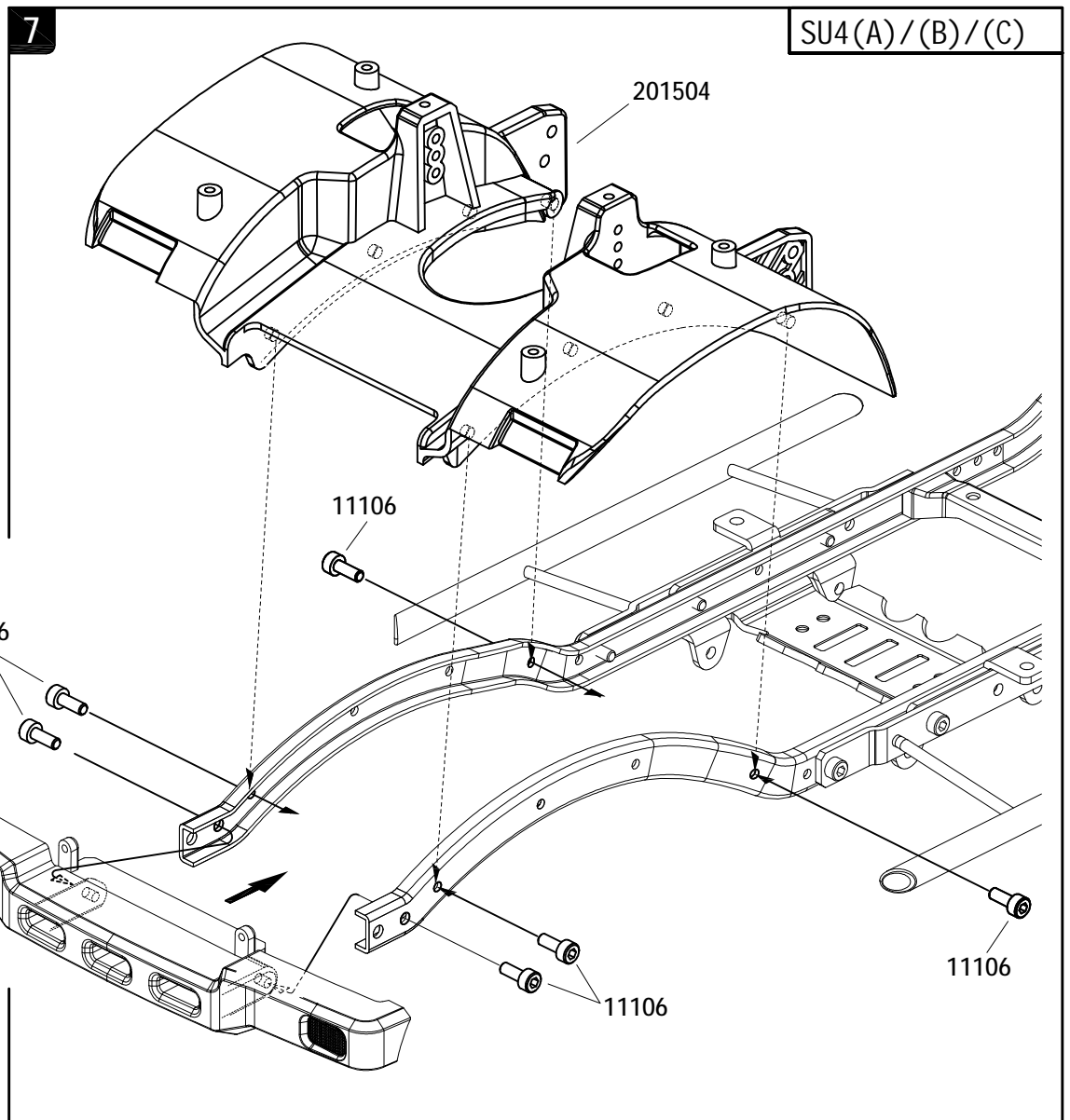
BAG(Z)



11106





M3x8 X6

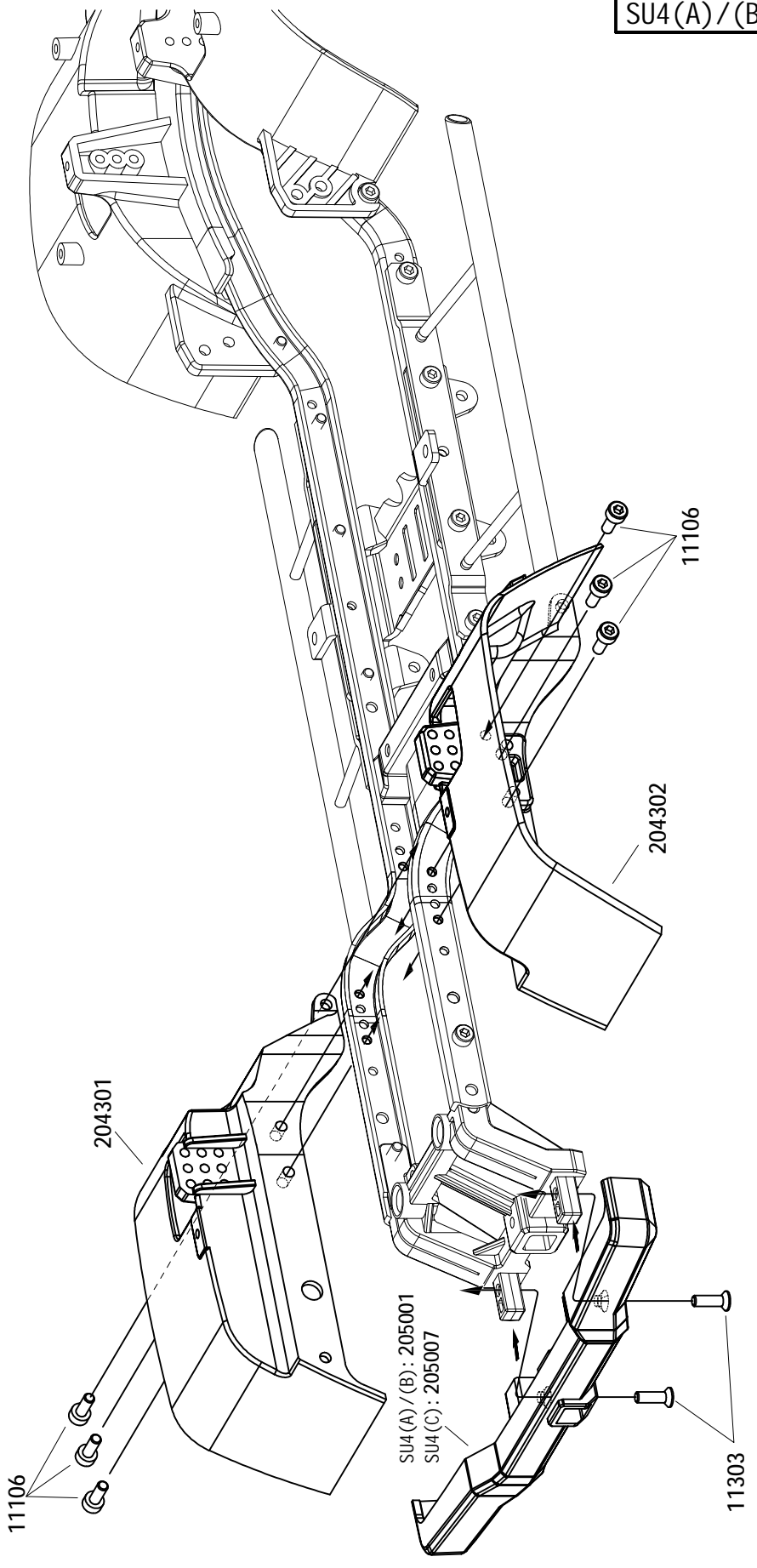


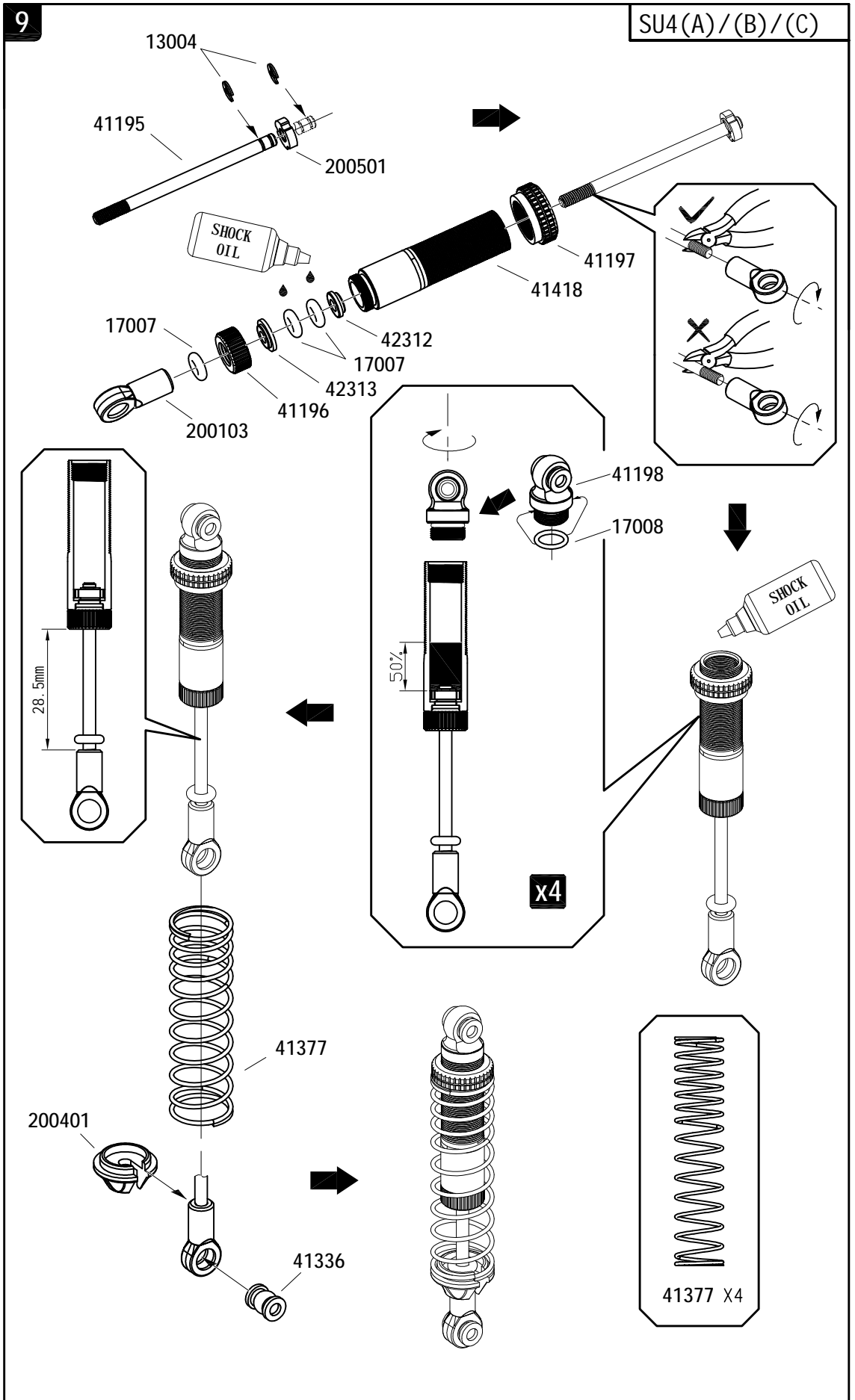
8

SU4(A)/(B)/(C)


BAG(Z)

- 11303  M3x8 X4
- 11106  M3x8 X6





BAG(B)

13004  |  
 $\phi 2.0 \times \phi 5.5 \times 0.4 \times 8$

$\phi 6.5 \times \phi 2.5 \times \phi 2$



17007 X12

$\phi 7 \times \phi 5 \times \phi 1$



17008 X4



41336 X4

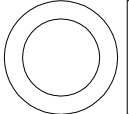
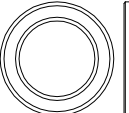


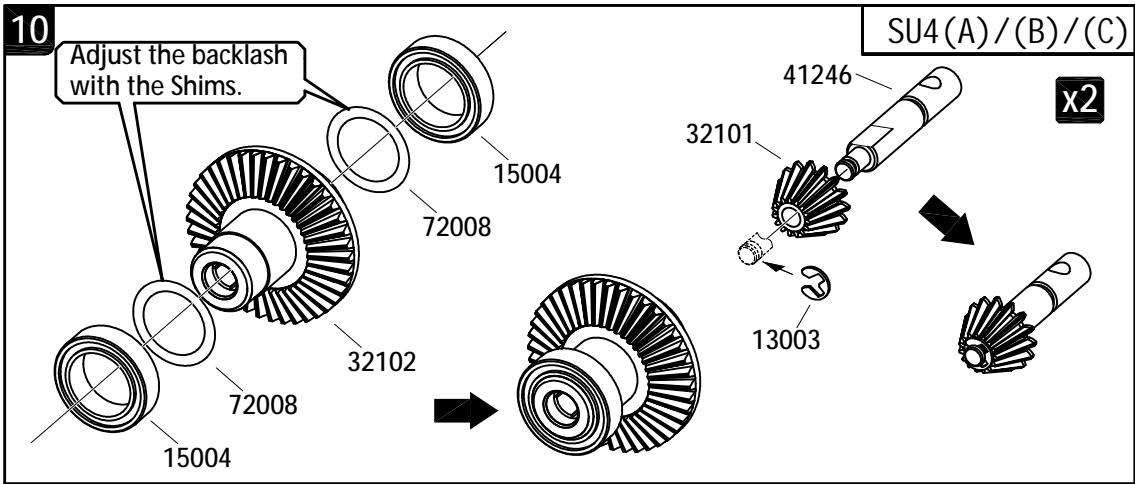
SU4(A)/(B)/(C)

10

Adjust the backlash with the Shims.

x2





- BAG(F)
- 72008   $\phi 10.2 \times \phi 15 \times 0.2 \times 1$
  - 15004   $\phi 10 \times \phi 15 \times 4 \times 4$

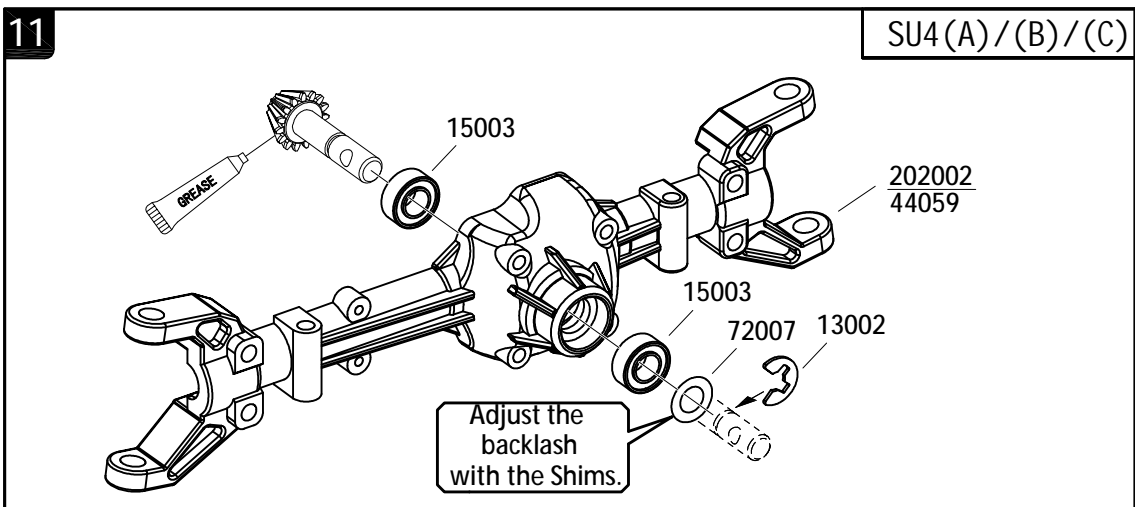


SU4(A)/(B)/(C)

11

Adjust the backlash with the Shims.


- 13003   $\phi 2.5 \times \phi 6.2 \times 0.4 \times 2$
- 13002   $\phi 3.8 \times \phi 9.2 \times 0.6 \times 1$
- 15003   $\phi 5 \times \phi 10 \times 4 \times 2$
- 72007   $\phi 5 \times \phi 8 \times 0.3 \times 1$

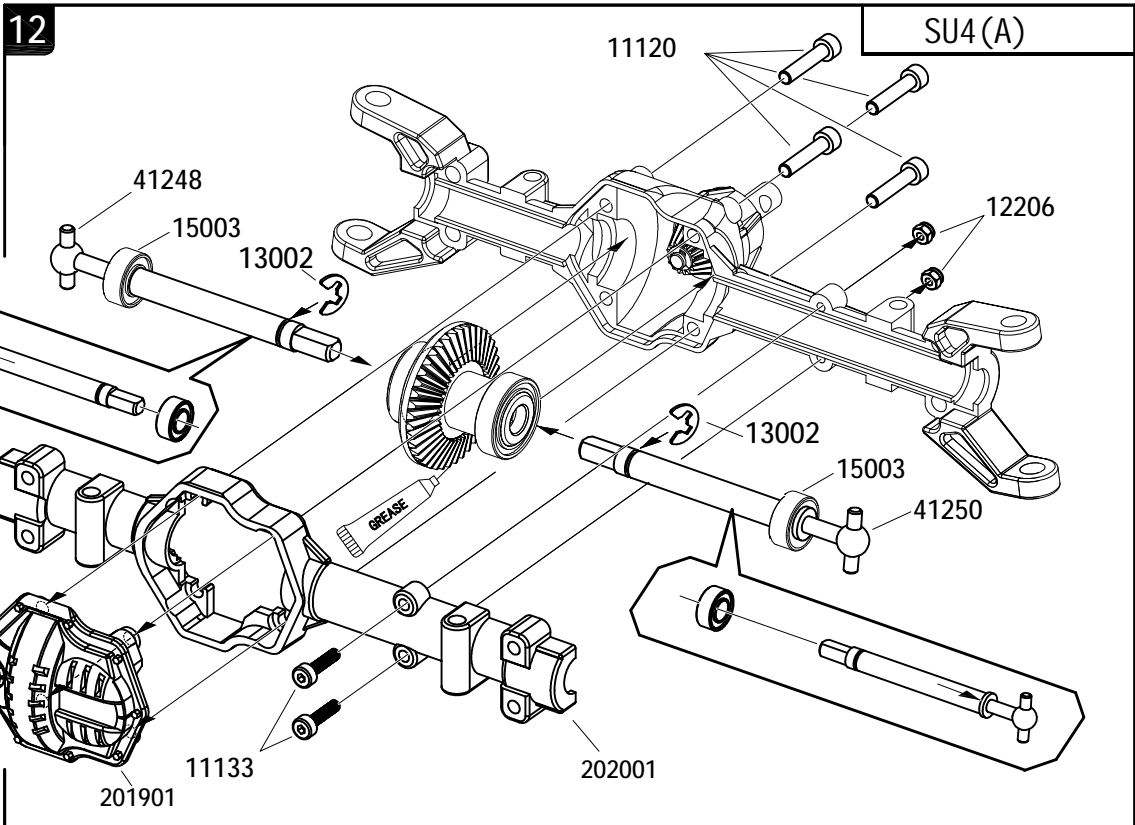


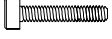
SU4(A)


12



- 13002   $\phi 3.8 \times \phi 9.2 \times 0.6 \times 2$

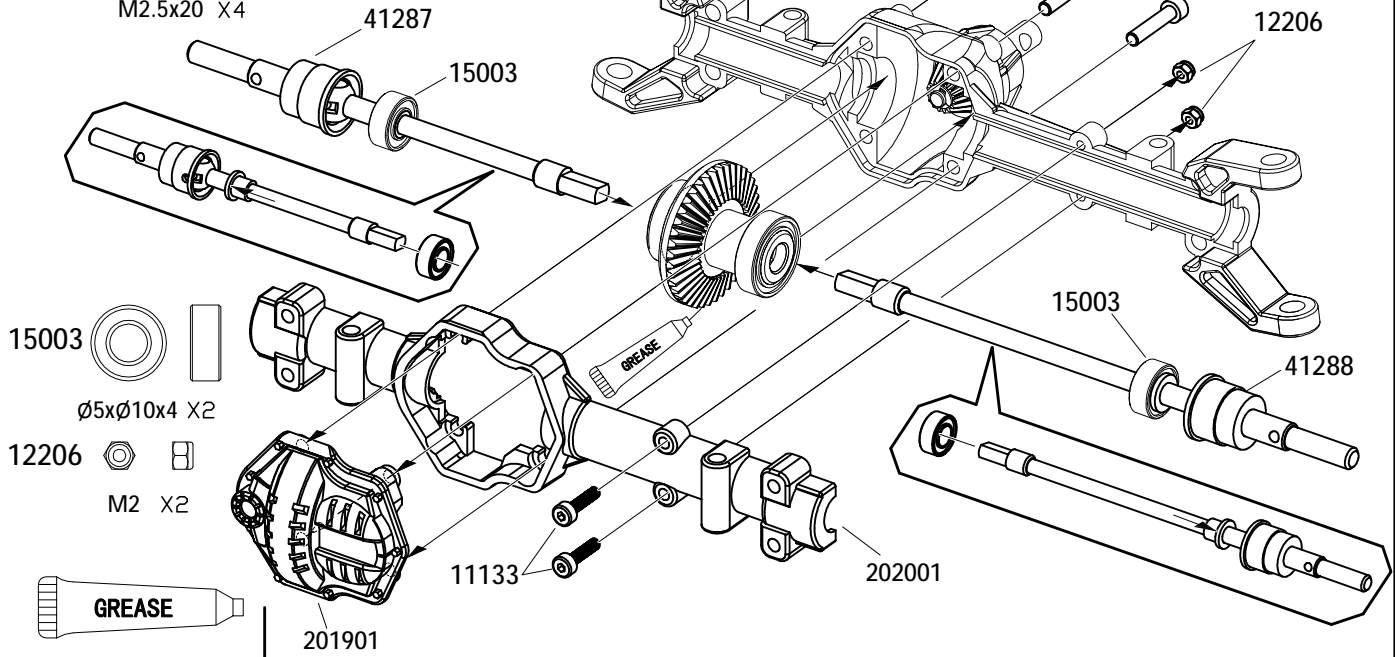


11133   
M2x12 X2

11120   
M2.5x20 X4

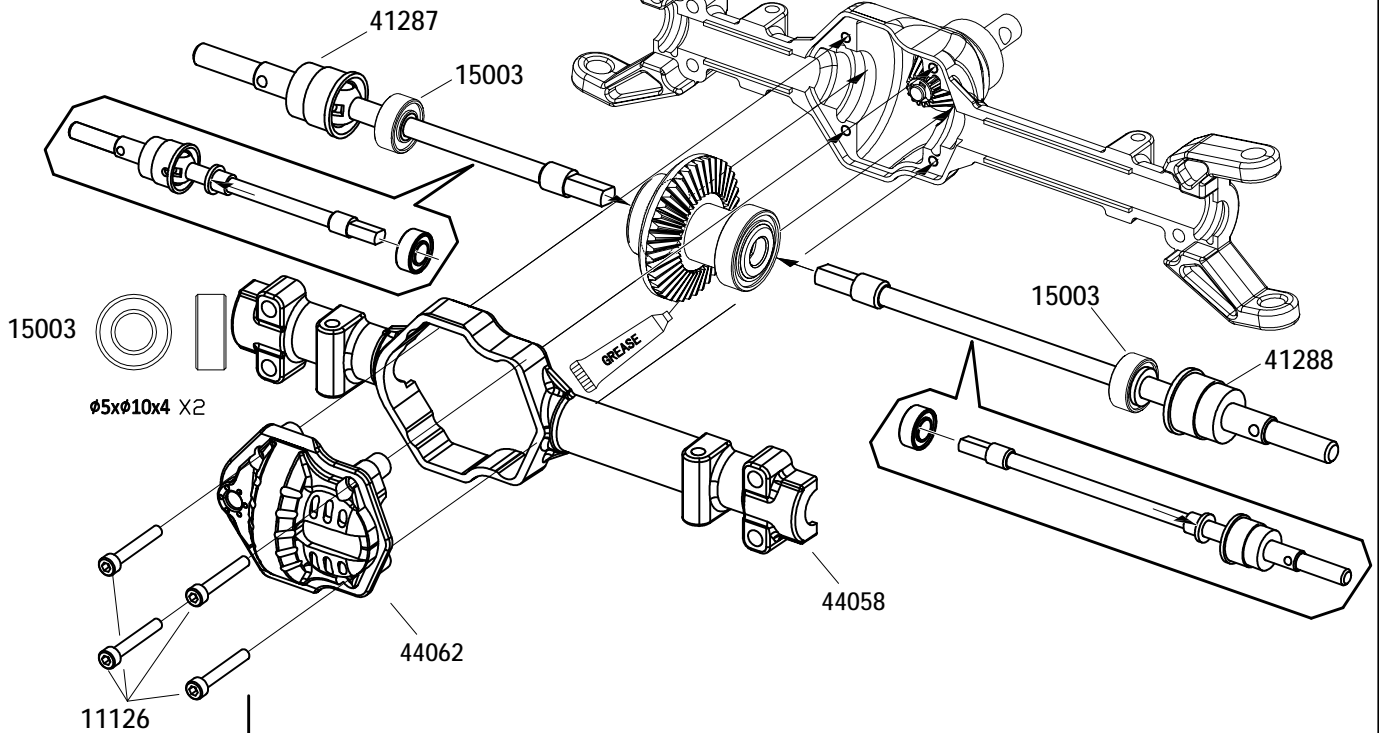
11120

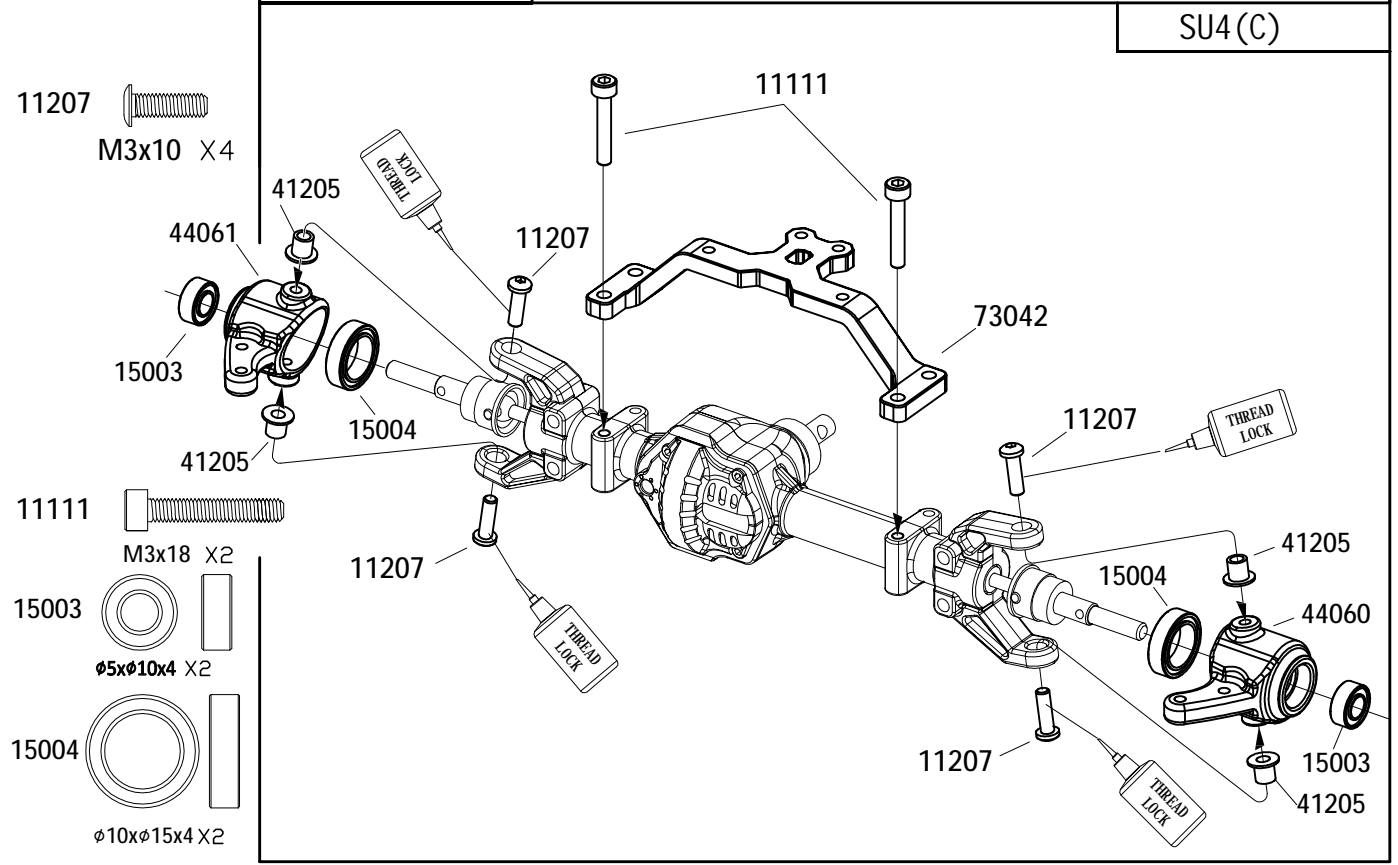
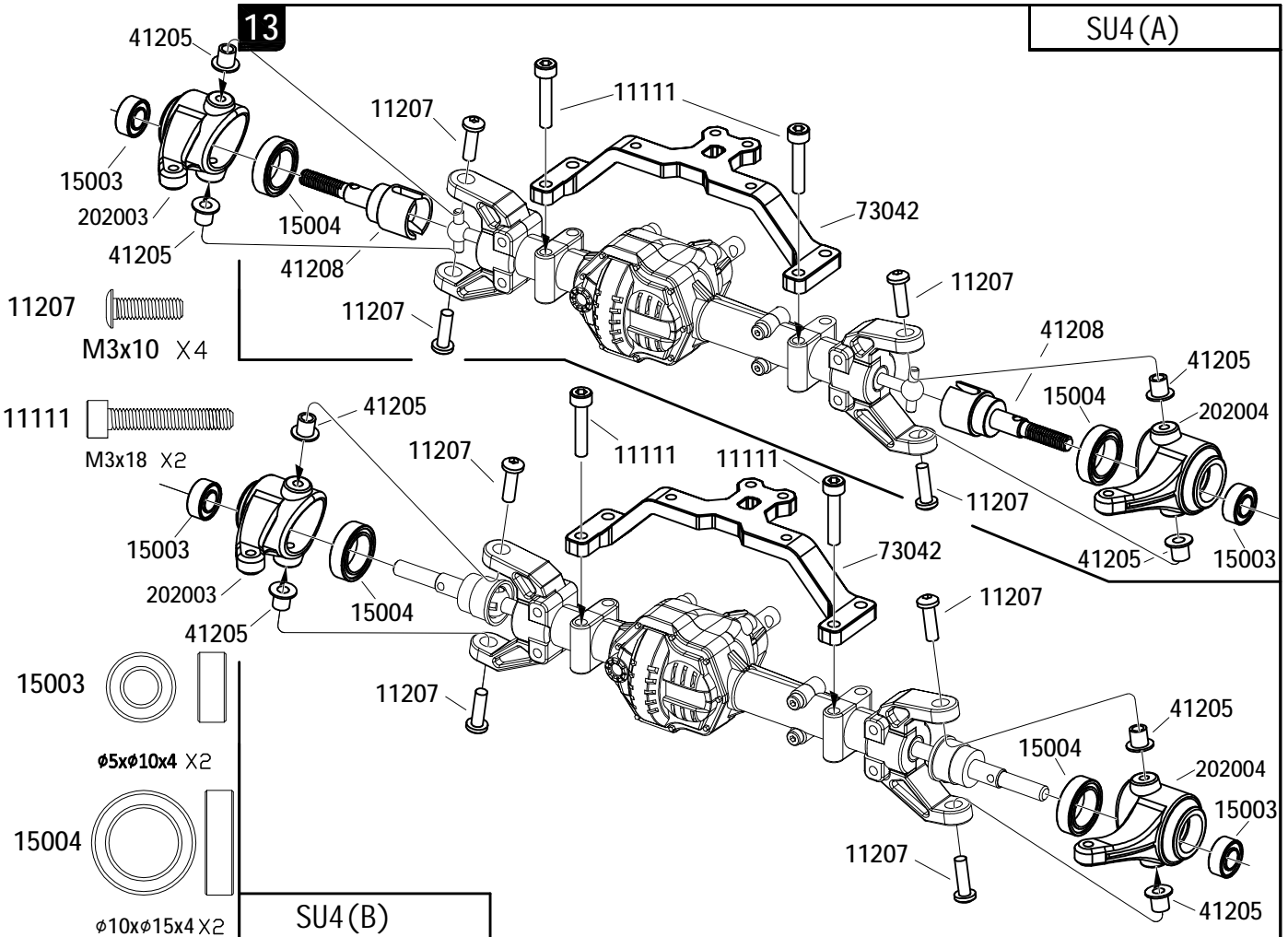
SU4(B)



SU4(C)




11126   
M2x14 X4

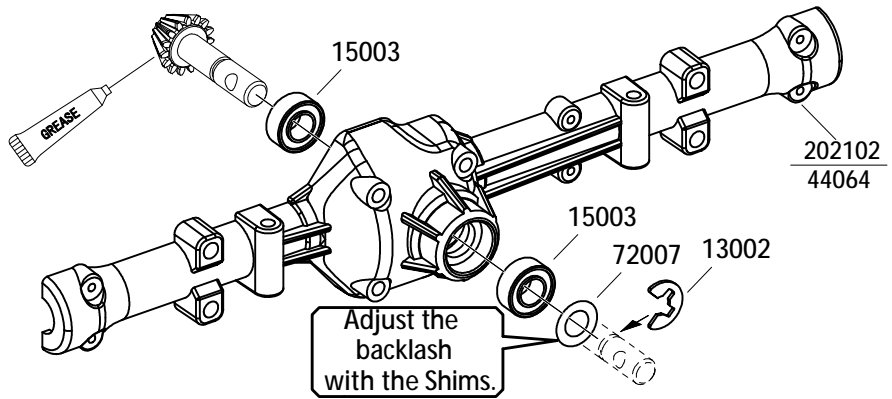




14





SU4(A)/(B)/(C)


- 13002  |  
ø.8xø9.2x0.6 X1
- 15003  |  
ø5xø10x4 x2
- 72007  |  
ø5xø8x0.3 x1




15

SU4(A)/(B)

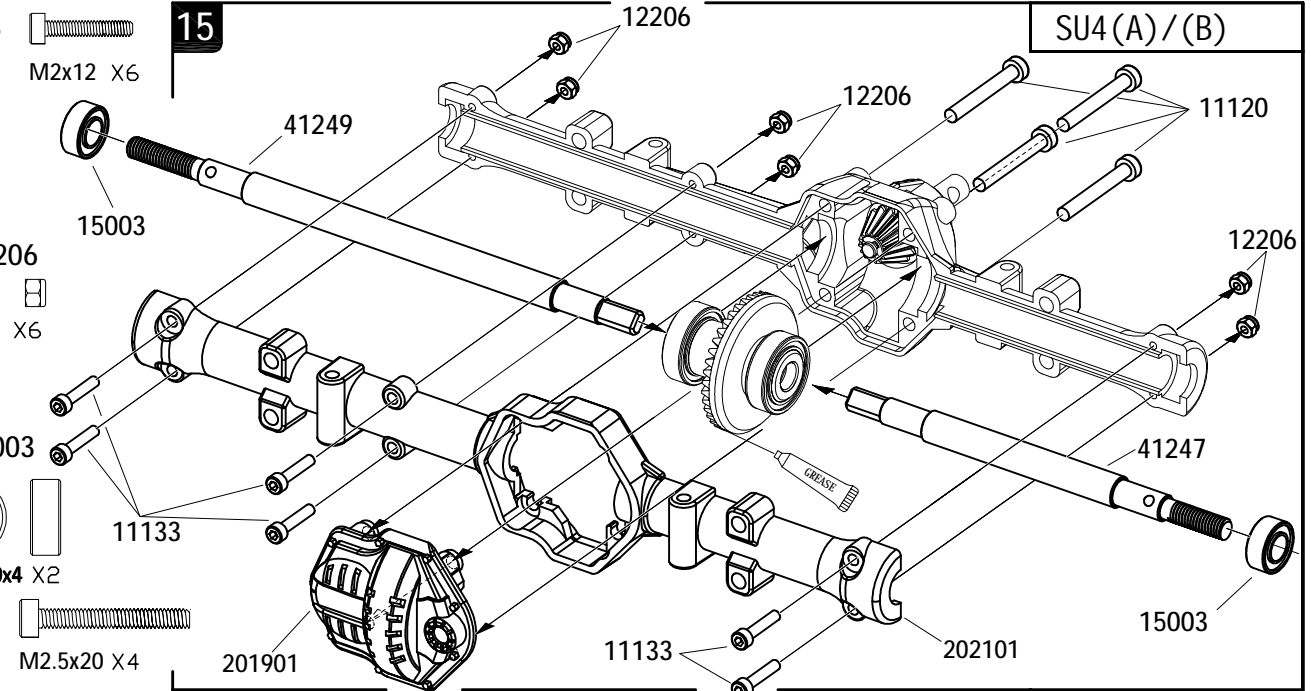
- 11133  |  
M2x12 X6
- 12206   |  
M2 X6
- 15003  |  
ø5xø10x4 X2

- 11120  |  
M2.5x20 X4

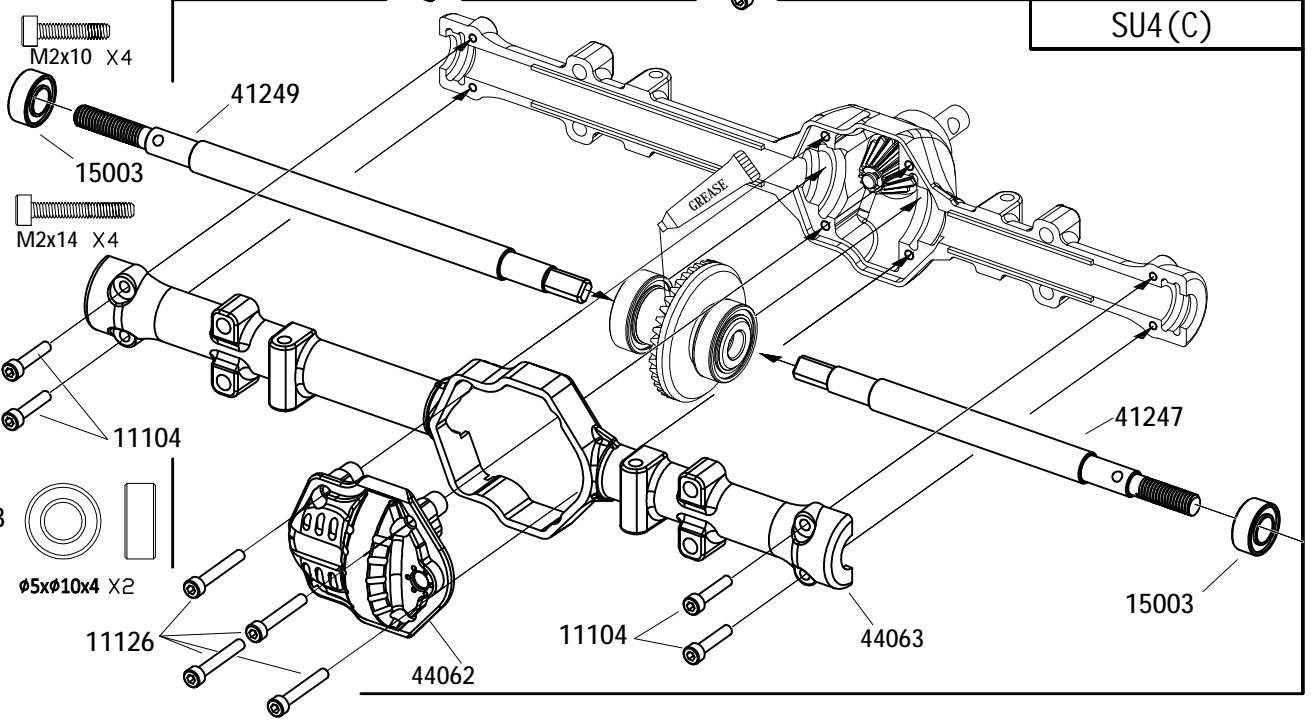
- 11104  |  
M2x10 X4

- 11126  |  
M2x14 X4

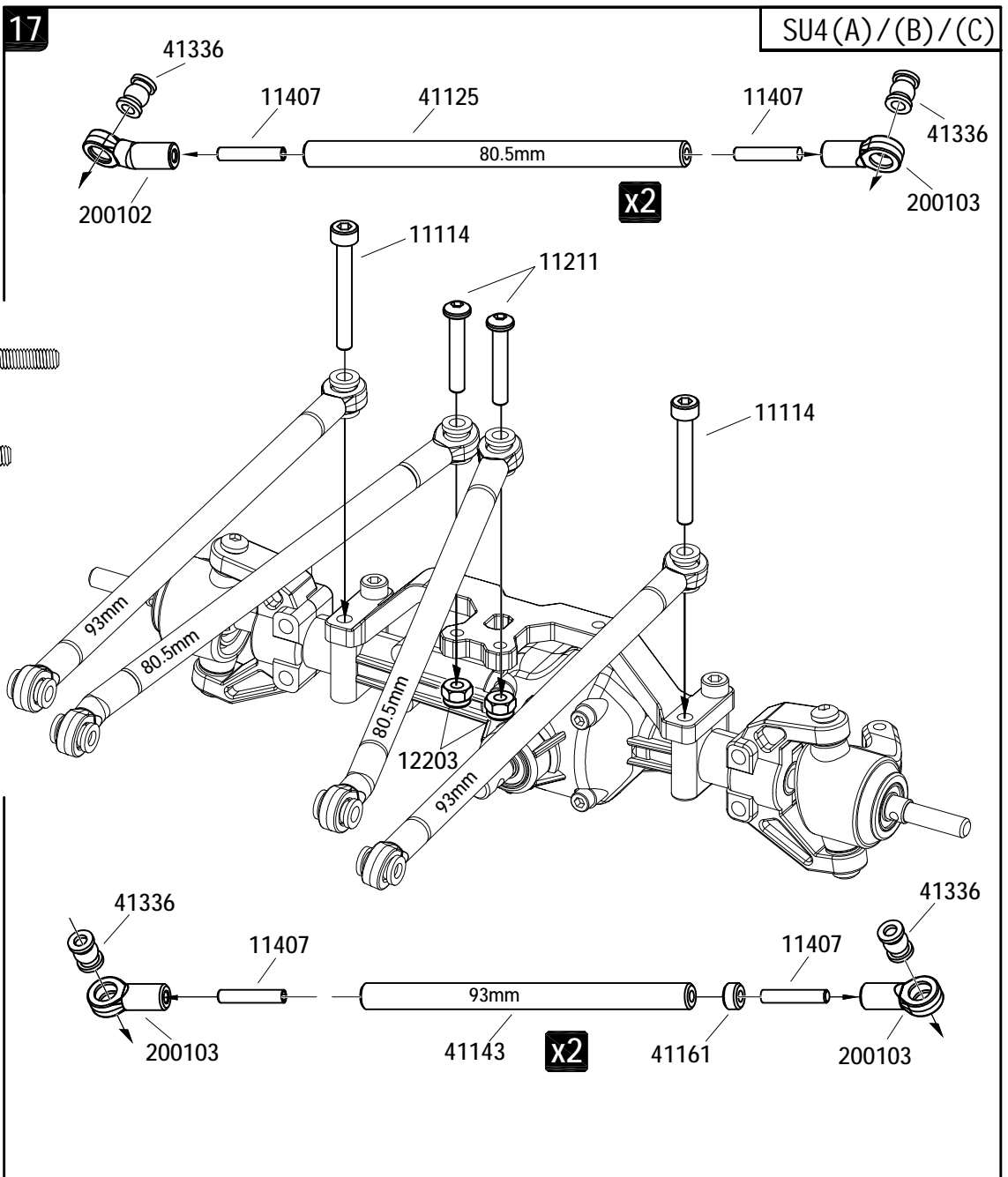
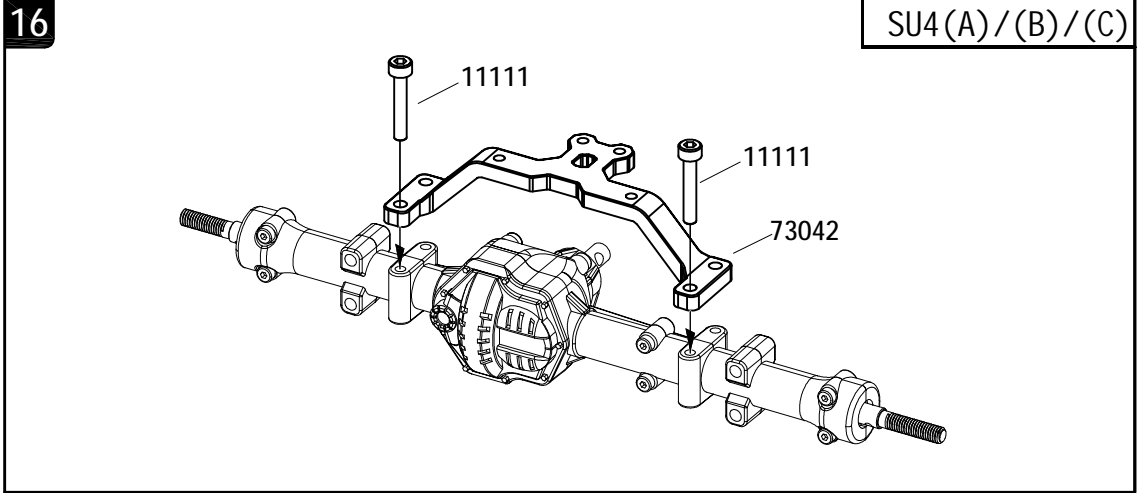
- 15003  |  
ø5xø10x4 X2



SU4(C)











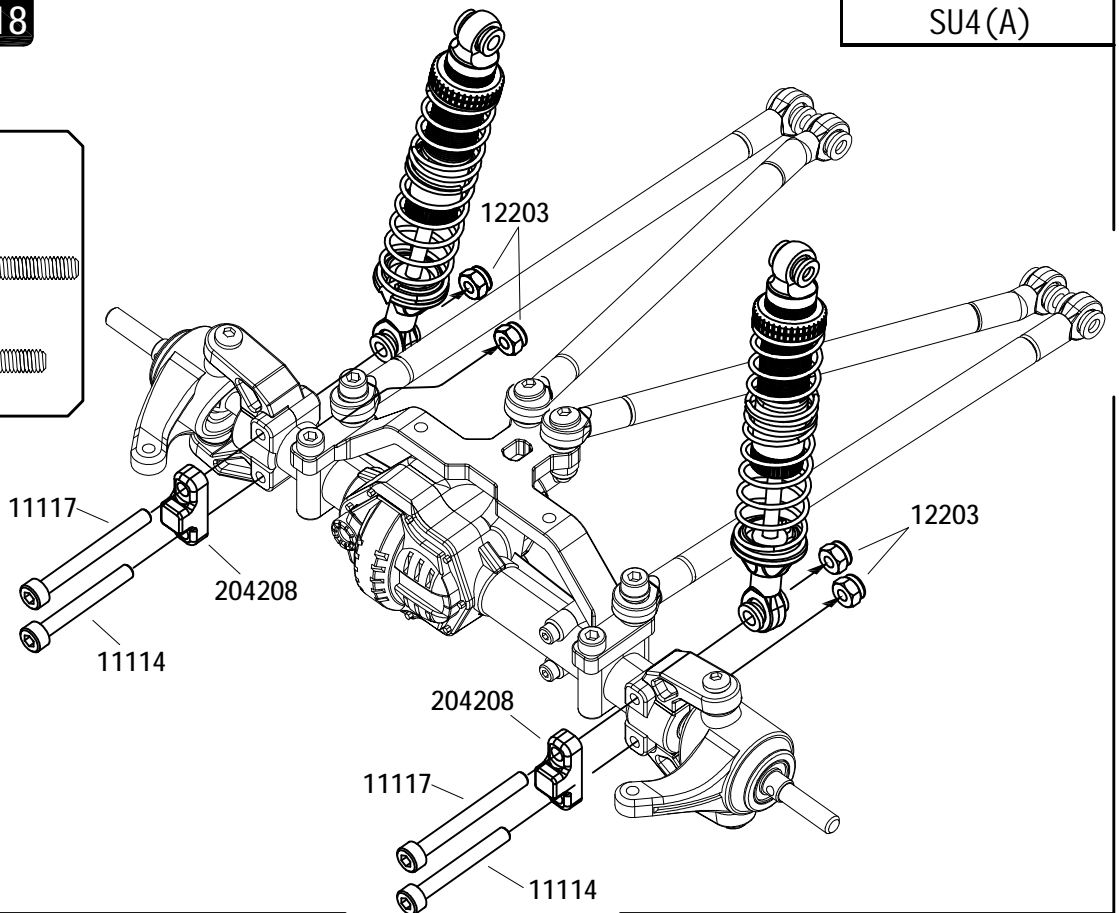


18

SU4(A)


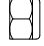




BAG(AA)

12203			M3 X4
11117			M3x30 X2
11114			M3x25 X2

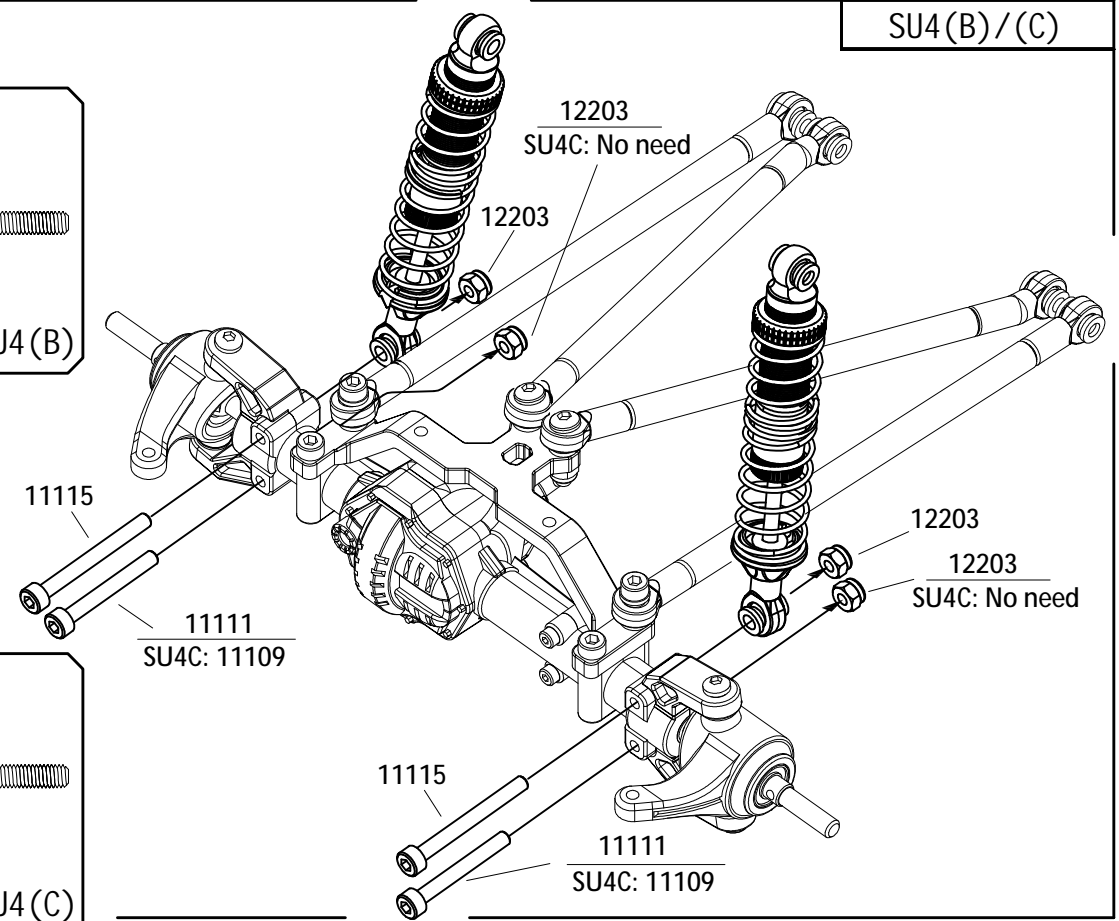


BAG(BB)



SU4(B)/(C)

12203			M3 X4
11115			M3x28 X2
11111			M3x18 X2

SU4(B)



BAG(CC)


12203			M3 X2
11115			M3x28 X2
11109			M3x14 X2

SU4(C)

BAG(Z)

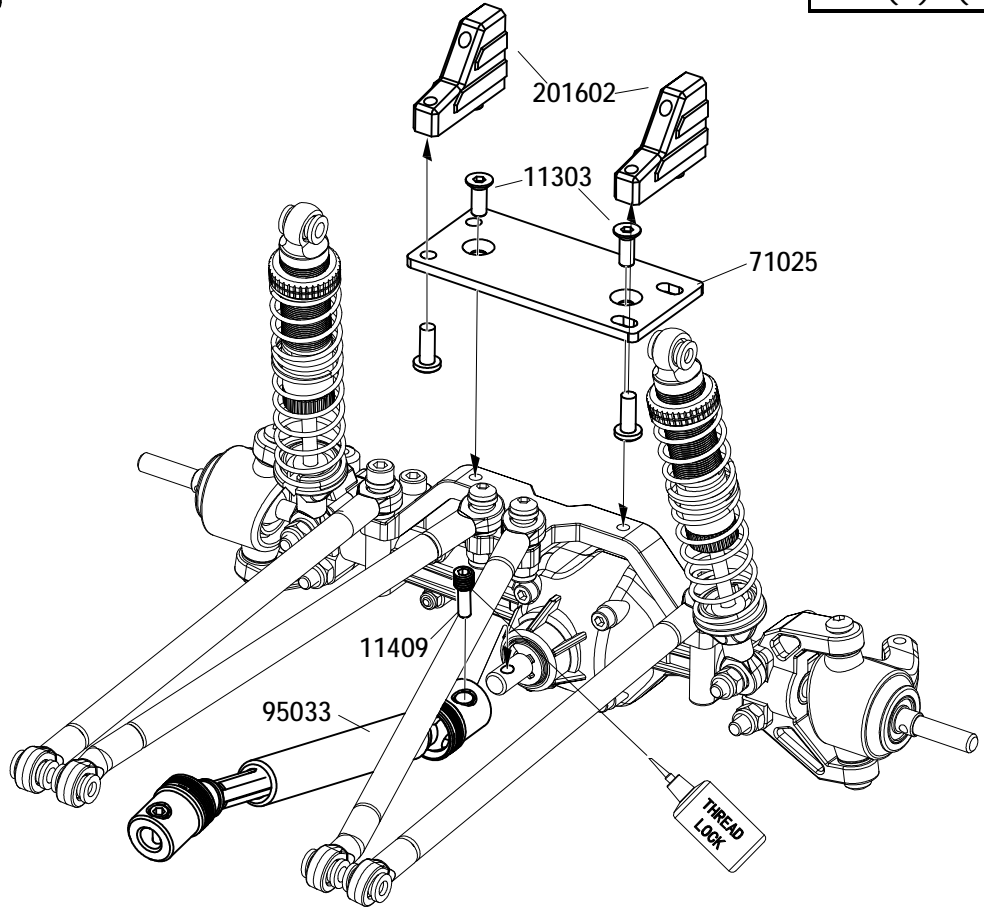
19

SU4(A)/(B)/(C)

11303  M3x8 X2


11206  M3x8 X2

11409  M4x11 X1



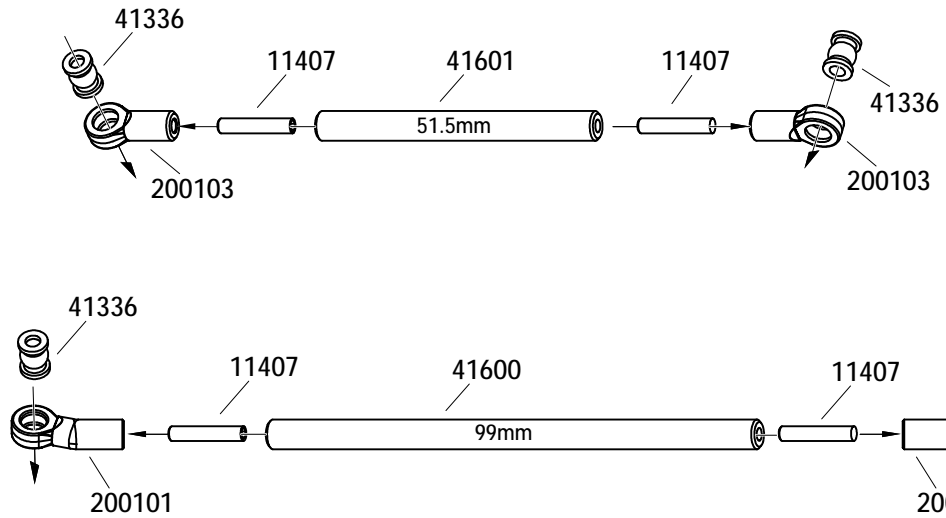
20

SU4(A)/(B)/(C)

11407  M3x16 X4





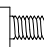
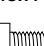
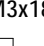


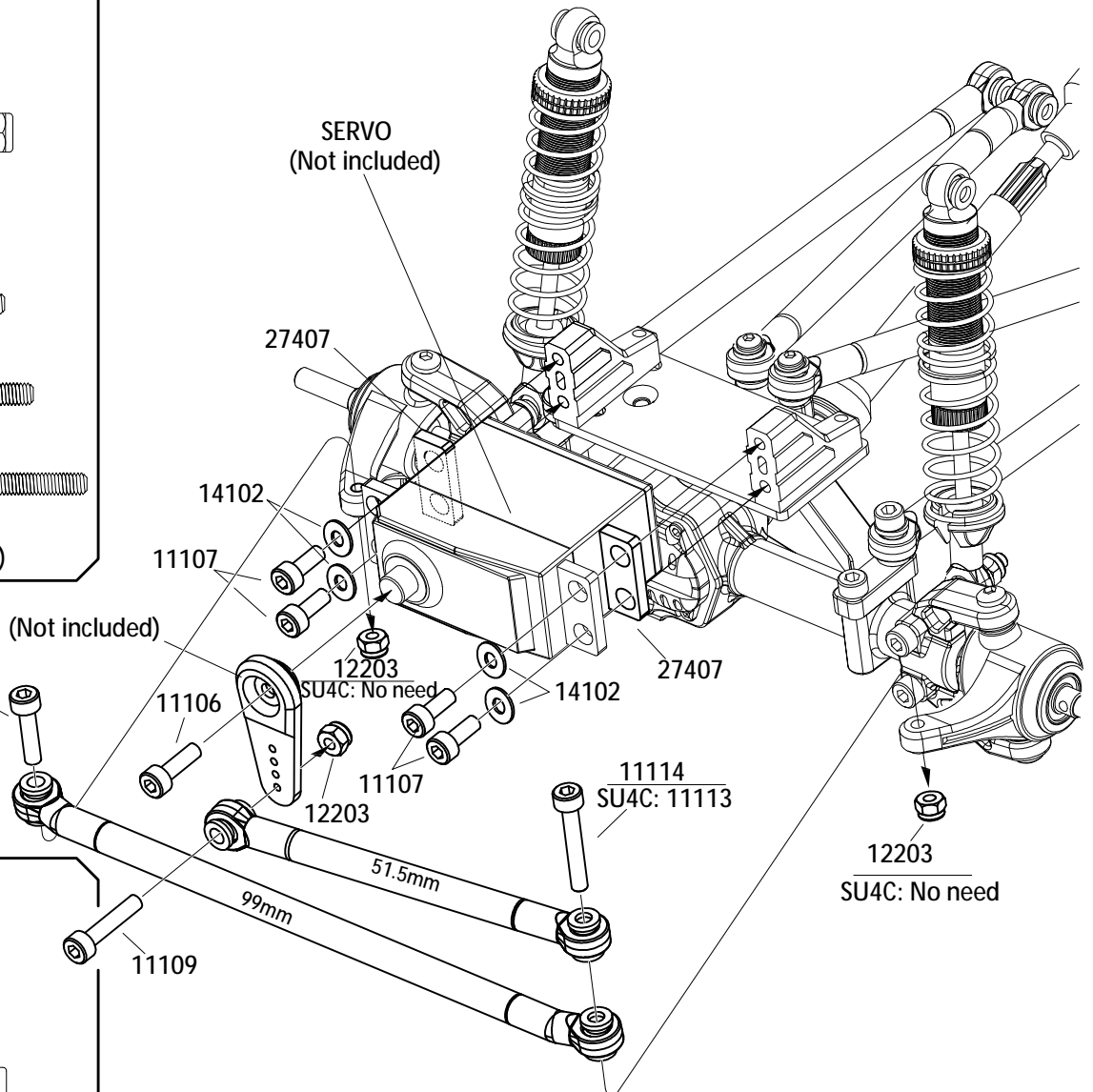
41336 X4







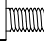
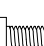
BAG(AA)

BAG(BB)

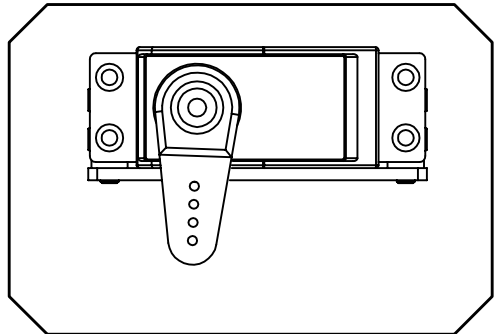
- 11107  M3x10 X4
  - 14102   $\phi 3 \times \phi 7 \times 0.5 \times 4$
  - 12203  M3 X3
  - 11106  M3x8 X1
  - 11109  M3x14 X1
  - 11111  M3x18 X1
  - 11114  M3x25 X1
- SU4(A)/(B)

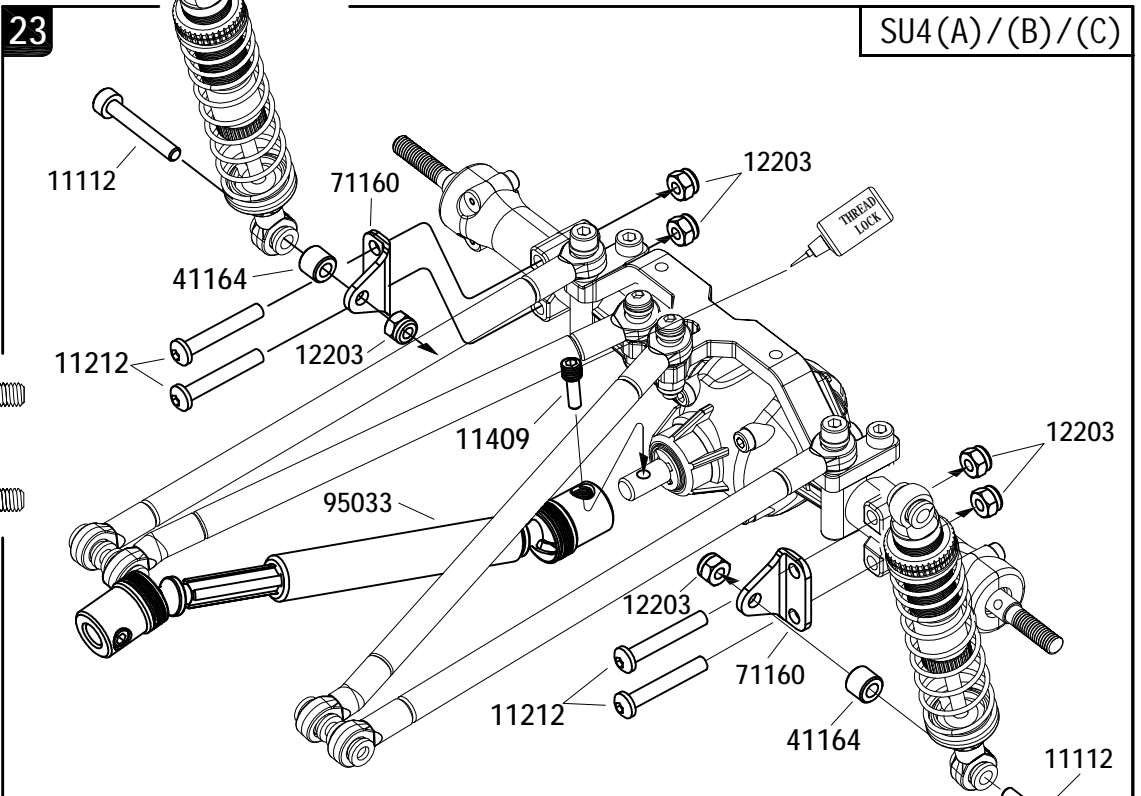
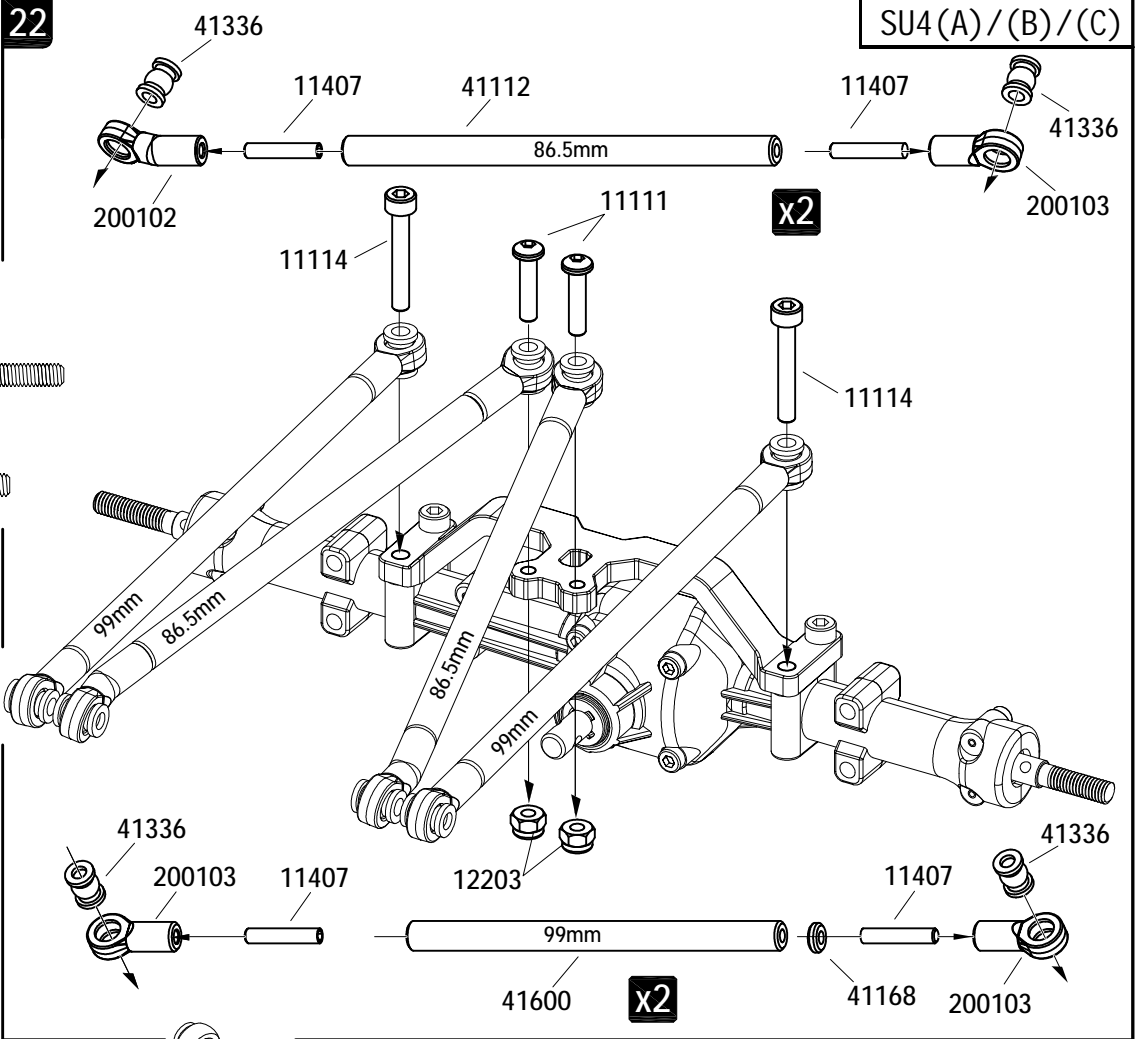


BAG(CC)

- 11107  M3x10 X4
  - 14102   $\phi 3 \times \phi 7 \times 0.5 \times 4$
  - 12203  M3 X1
  - 11106  M3x8 X1
  - 11109  M3x14 X2
  - 11113  M3x22 X1
- SU4(C)

Turn on the Transmitter then Receiver and set the Steering Servo Trim at the neutral position





24

SU4(A)/(B)/(C)

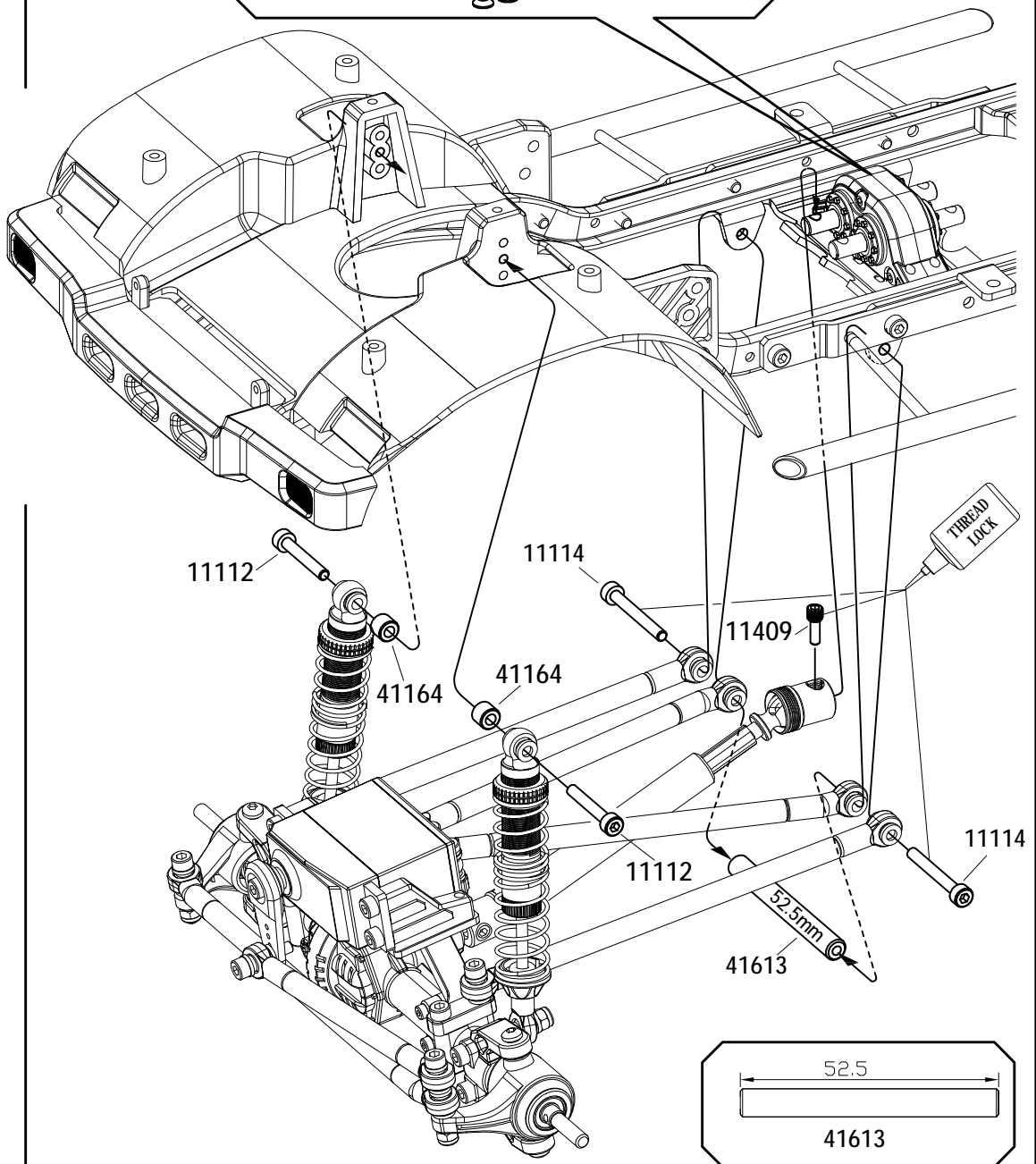
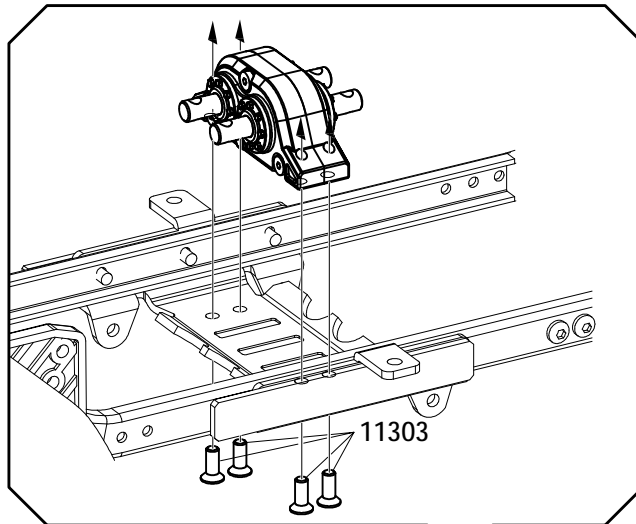
BAG(Z)

11303  
M3x8 X4

11112  
M3x20 X2

11114  
M3x25 X2

11409  
M4x11 X1



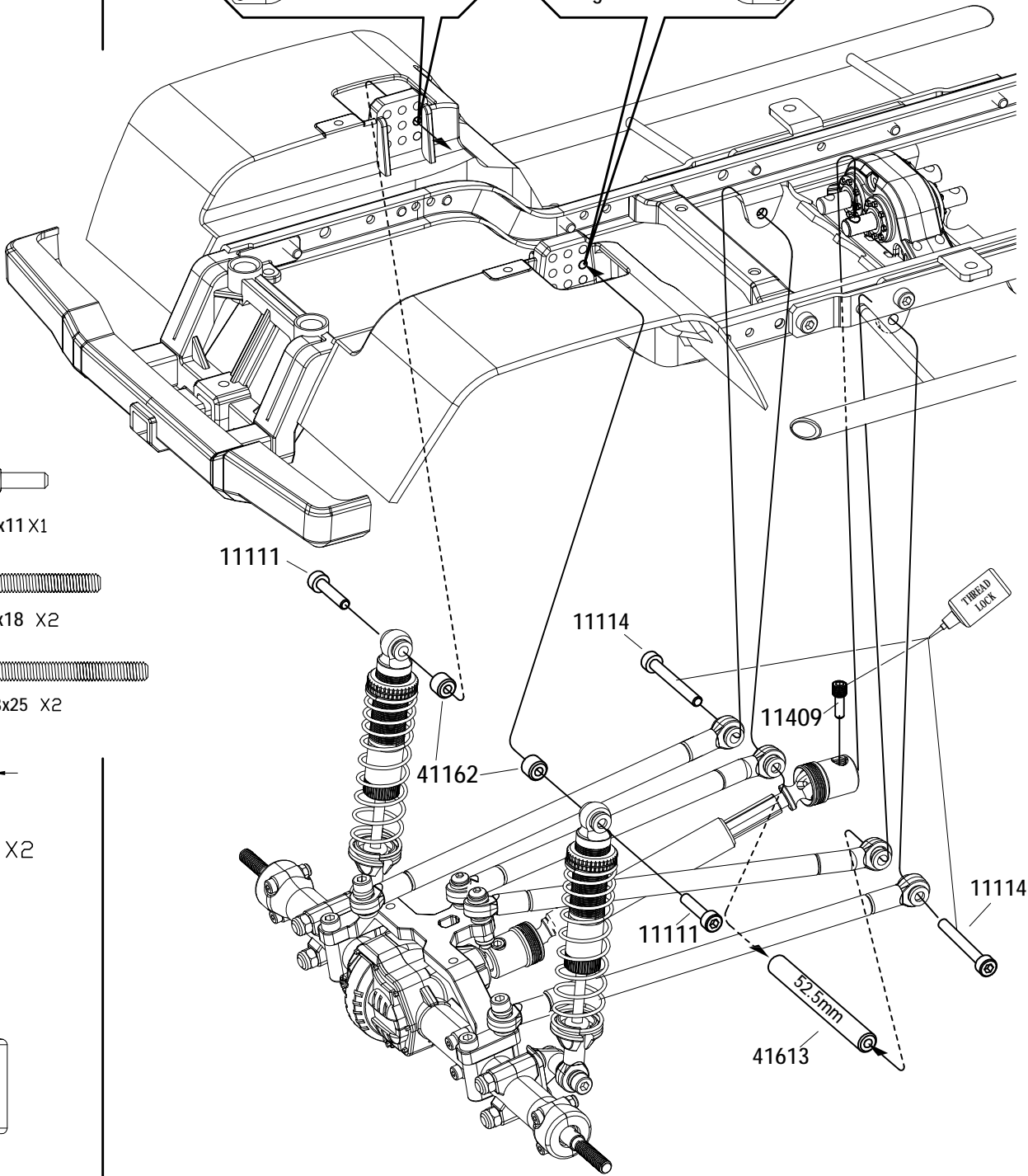
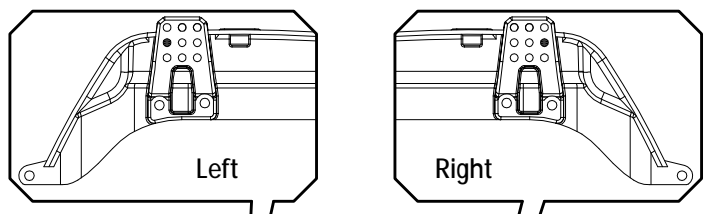
5  
41164 X2





25


SU4(A)/(B)/(C)

BAG(Z)



11409   
M4x11 X1

11111   
M3x18 X2

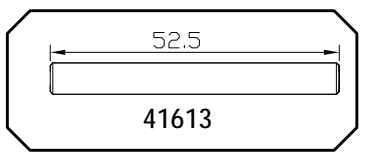
11114   
M3x25 X2



41162 X2




THREAD LOCK

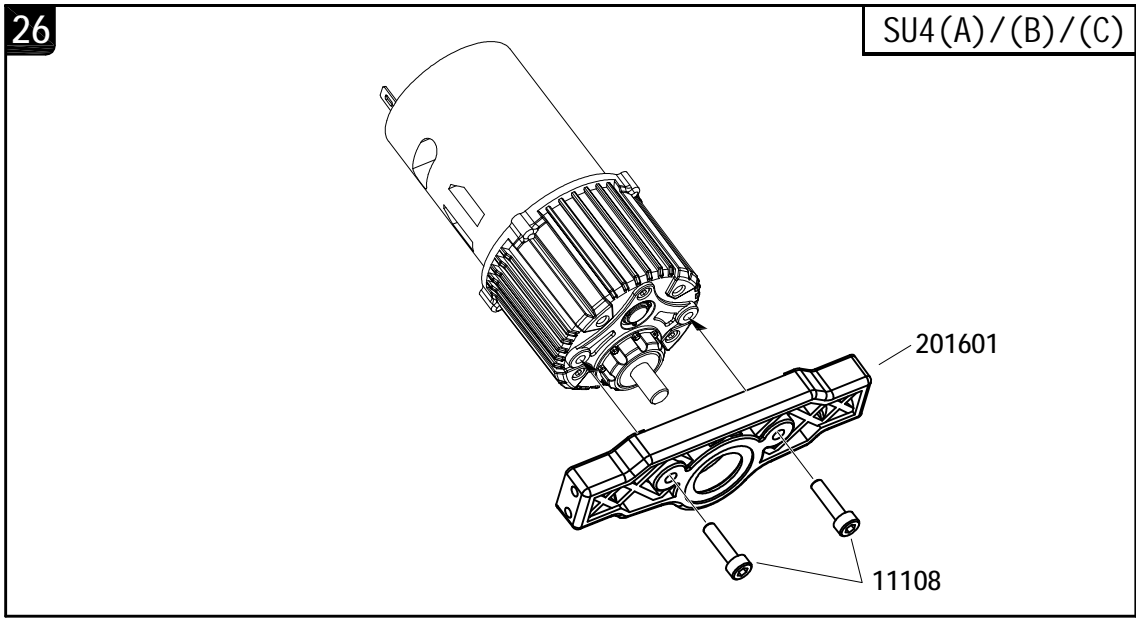


BAG(Z)

26


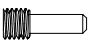
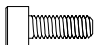
SU4(A)/(B)/(C)

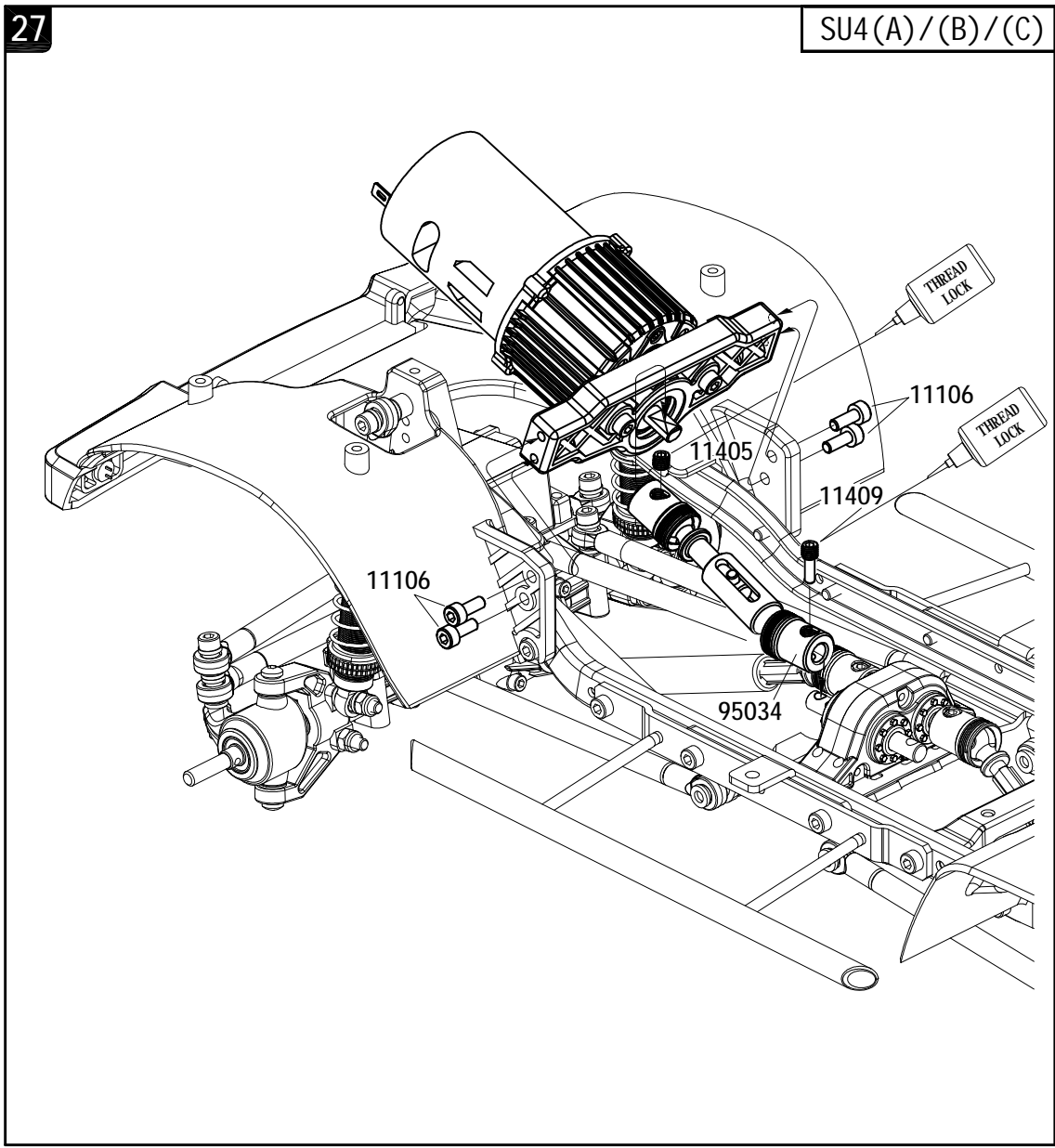
- 11108  M3x12 X2



27

SU4(A)/(B)/(C)

- 11405  M4x4 X1
- 11409  M4x11 X1
- 11106  M3x8 X4





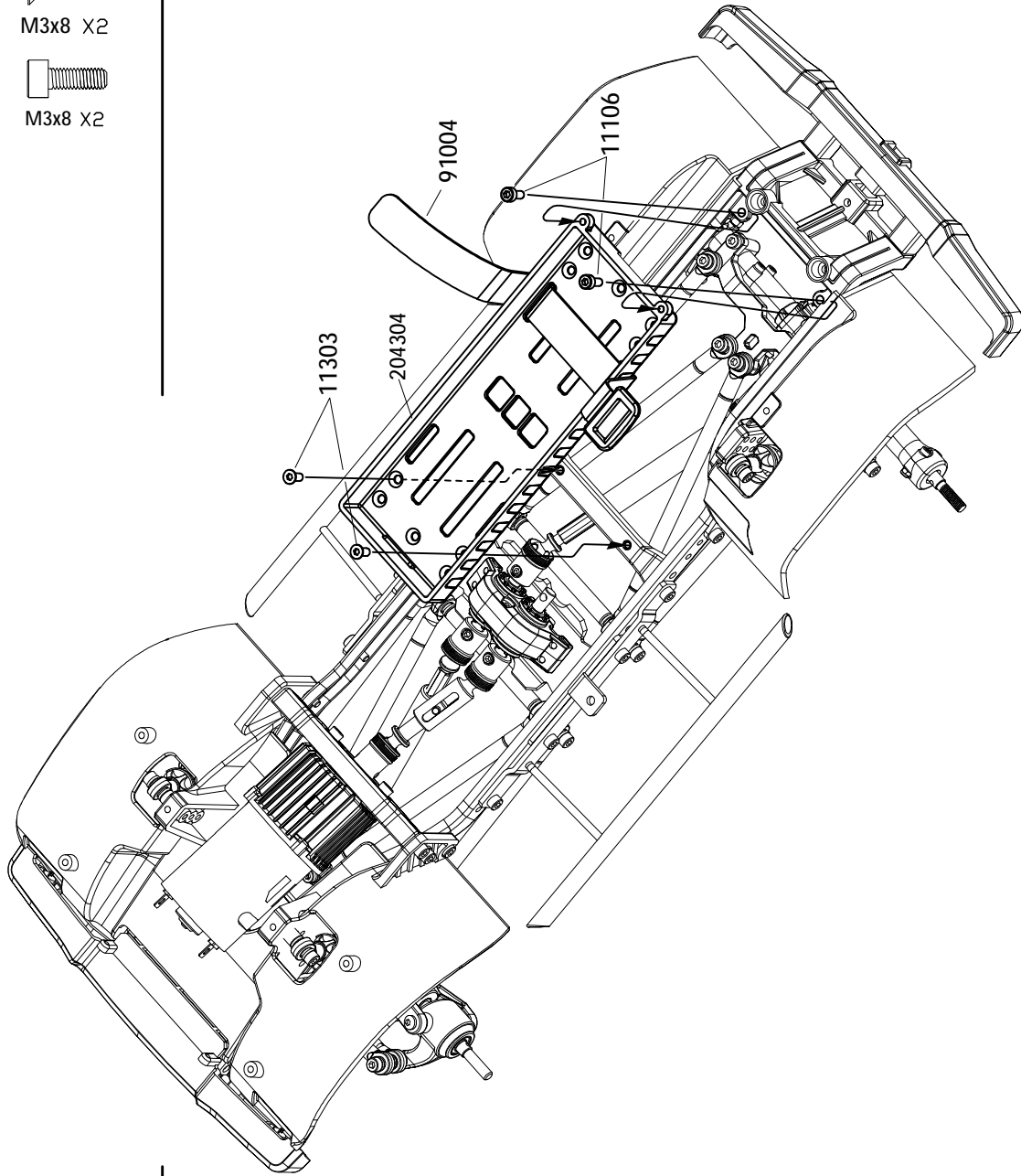


BAG(Z)

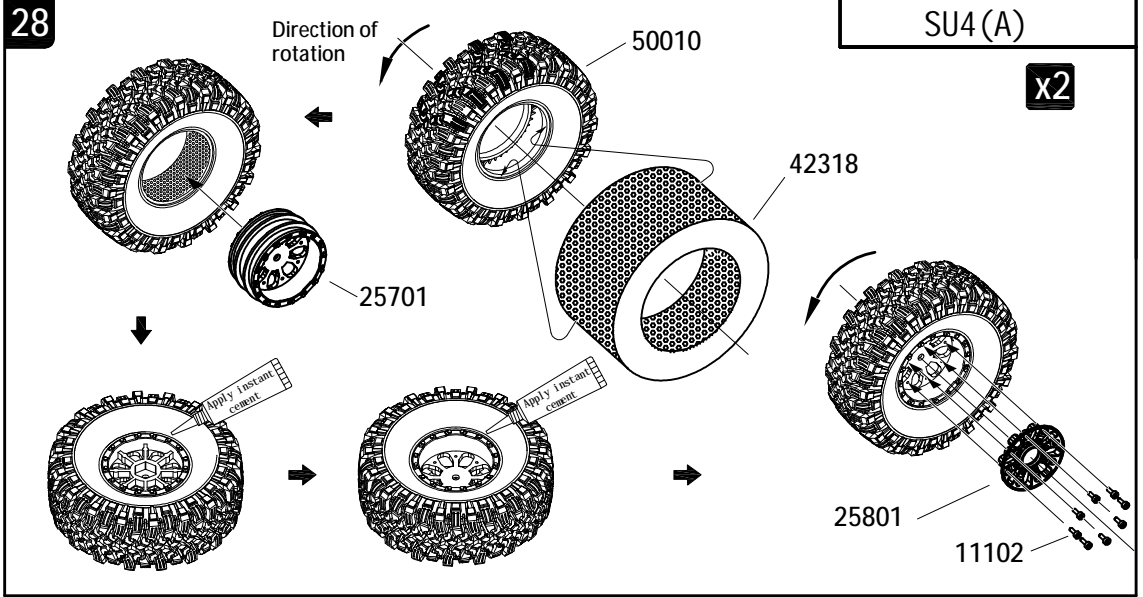
28

SU4(A)/(B)/(C)

- 11303   
M3x8 X2
- 11106   
M3x8 X2



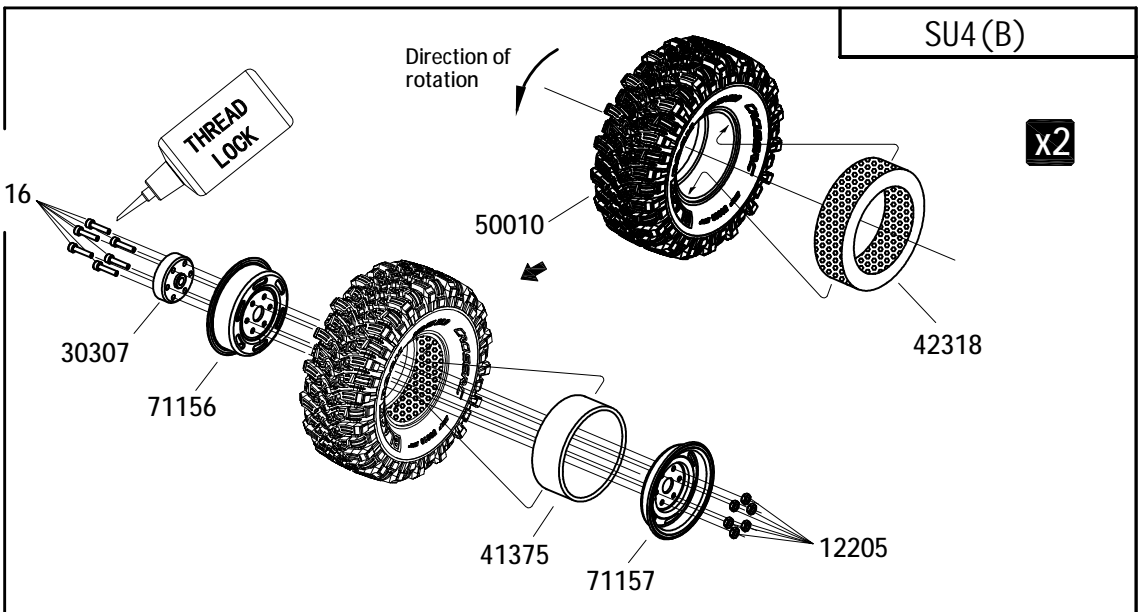
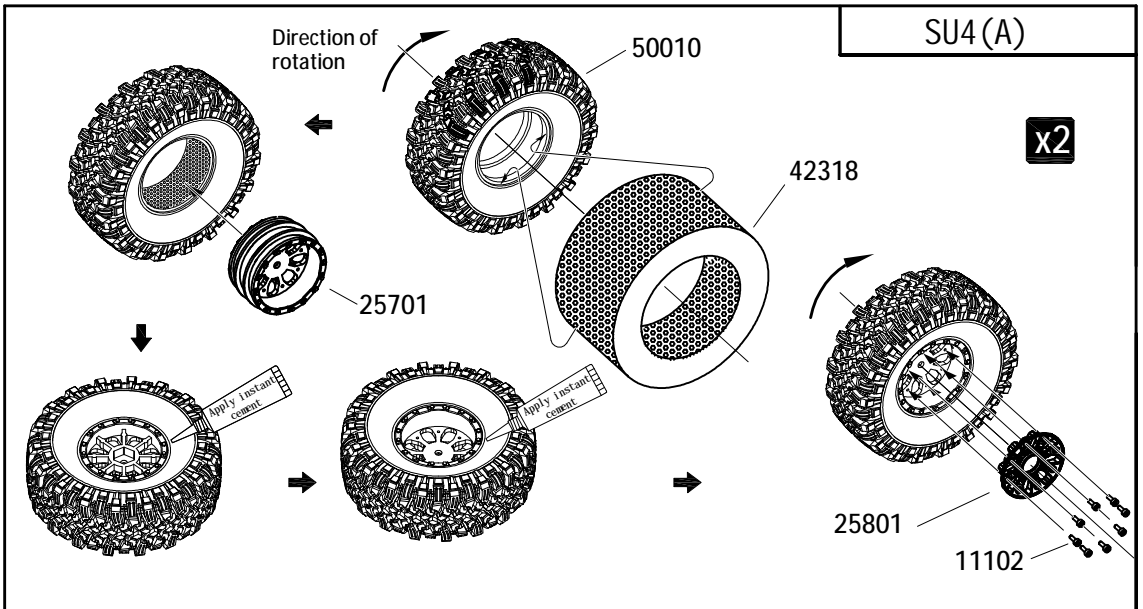
BAG (A)



11102 M2x6 X16



11102 M2x6 X16



11116 M2.5x12 X12

12105 M2.5 X12

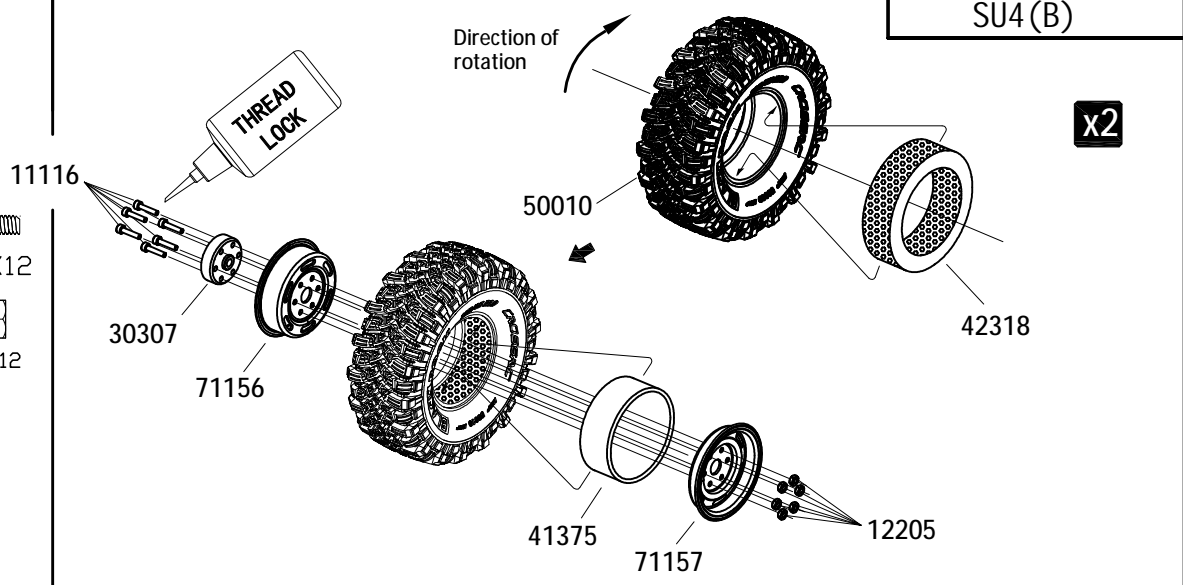
SU4(B)

x2

BAG(A)

11116 M2.5x12 X12

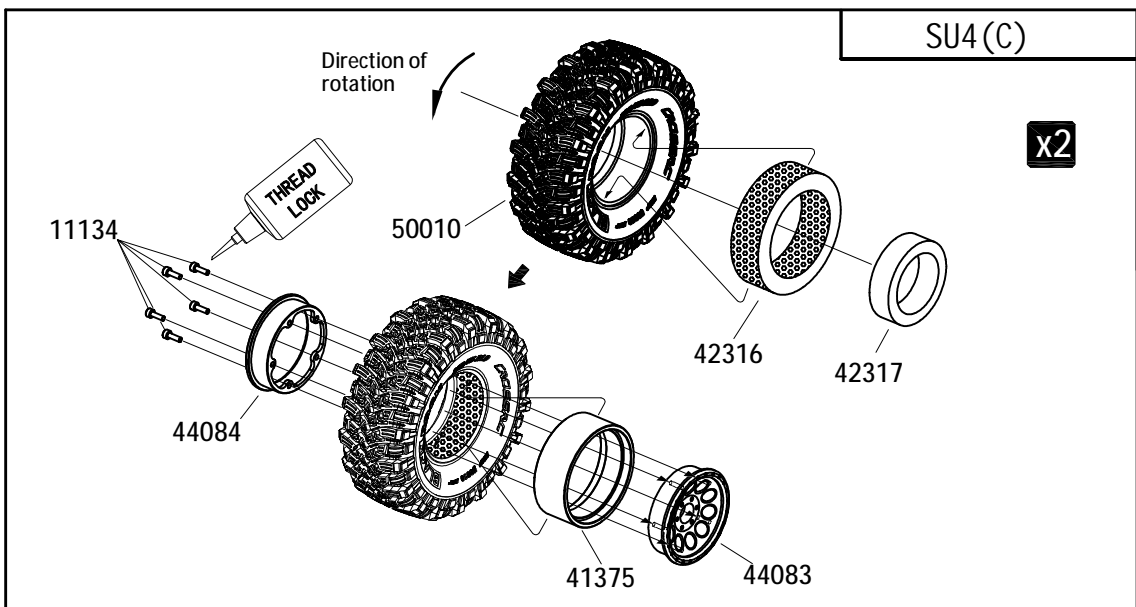
12105 M2.5 X12



SU4(C)

x2

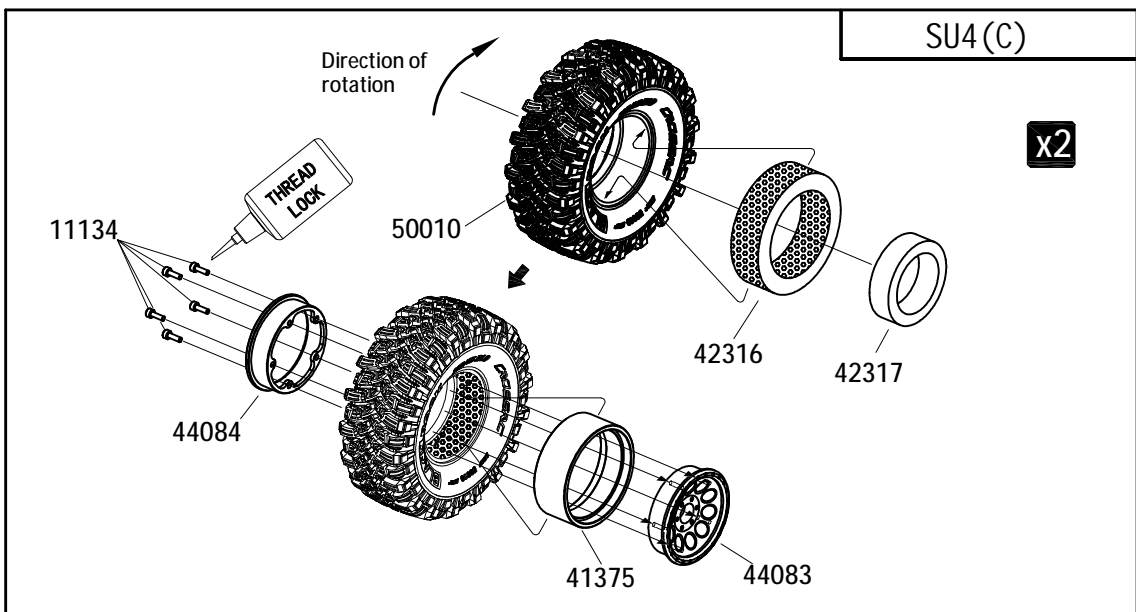
11134 M2.5x8 X10

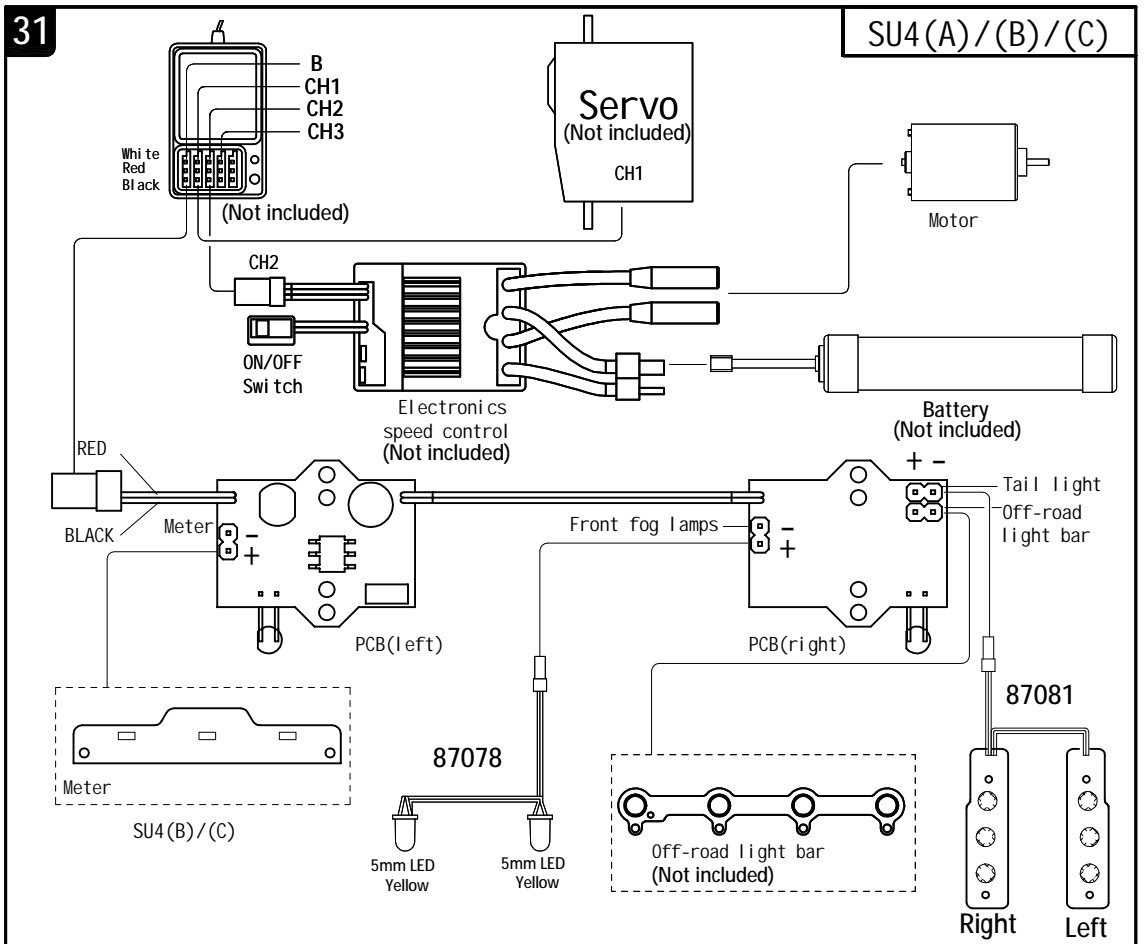
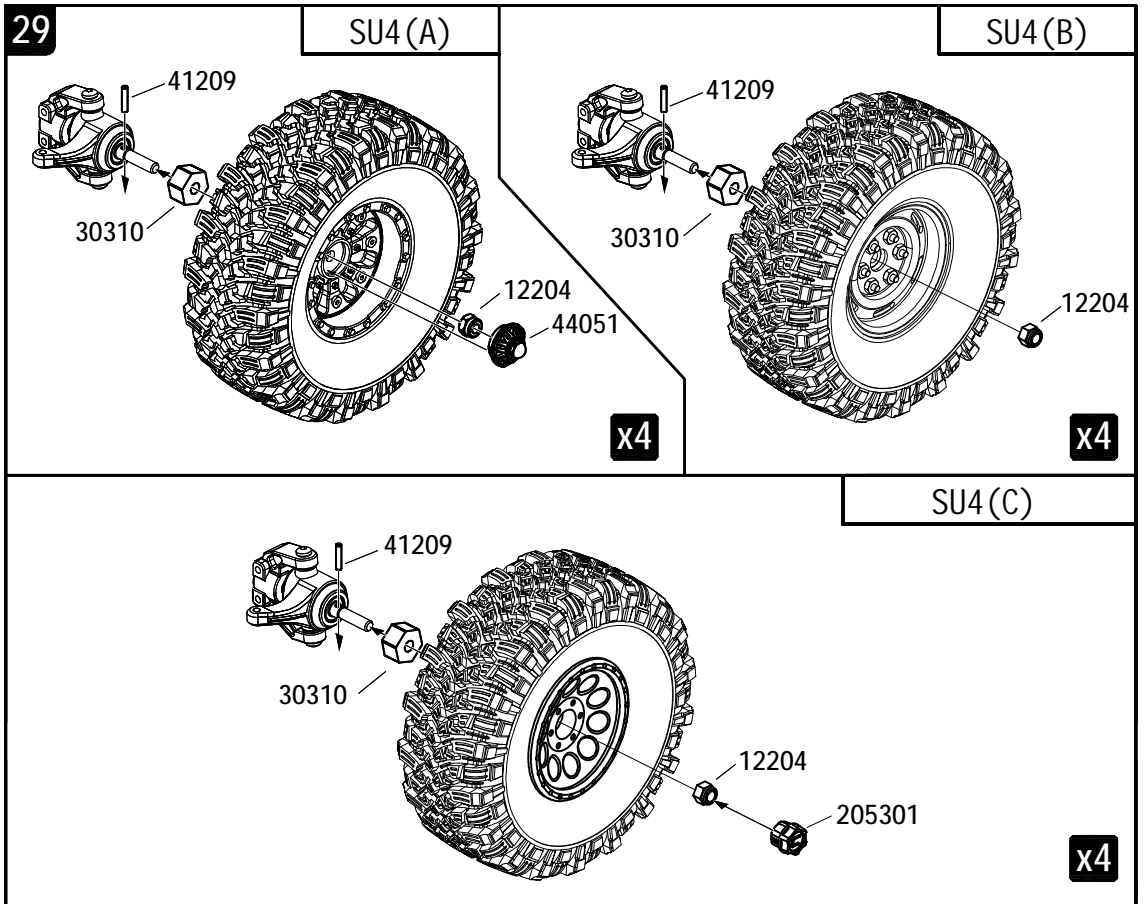


SU4(C)

x2

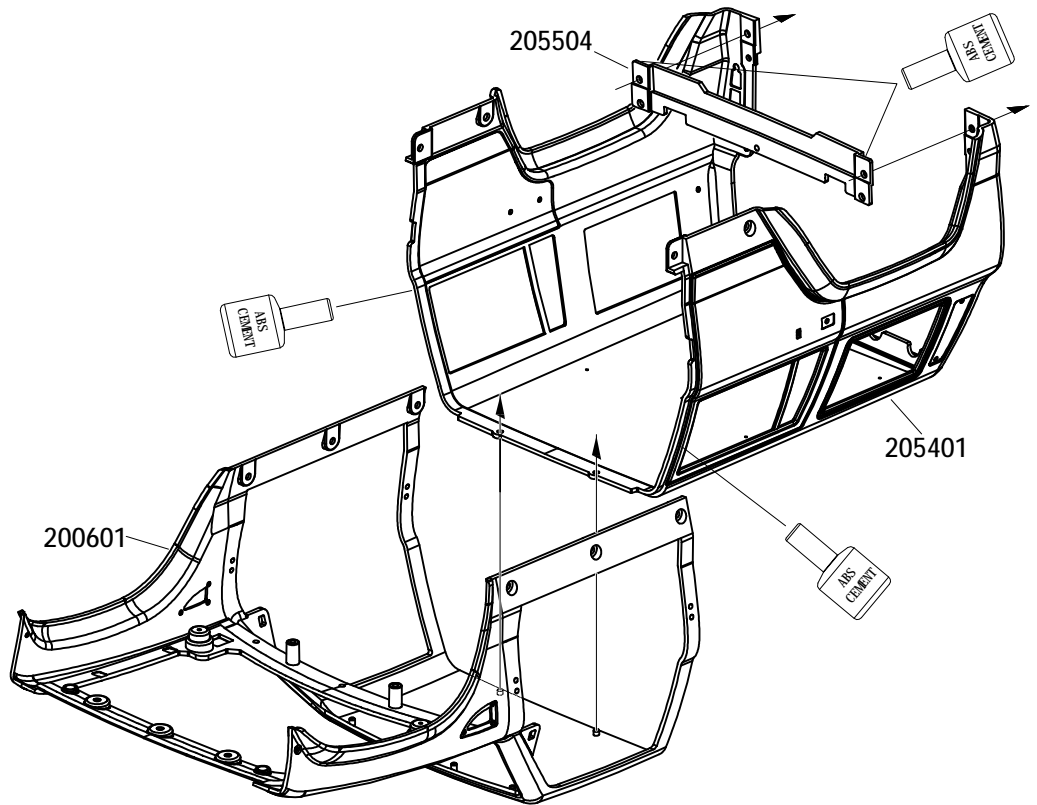
11134 M2.5x8 X10





32

SU4(A)/(B)/(C)

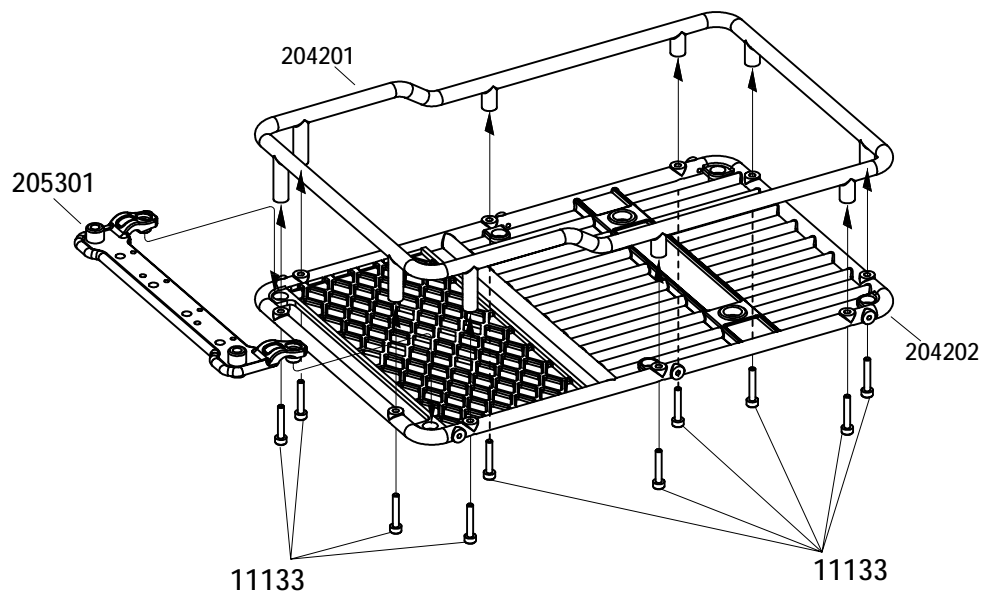


BAG(Z)

33

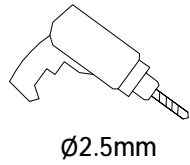
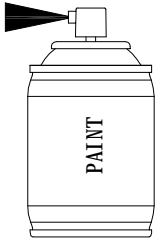
SU4(A)/(B)/(C)

11133   
M2x12 X10

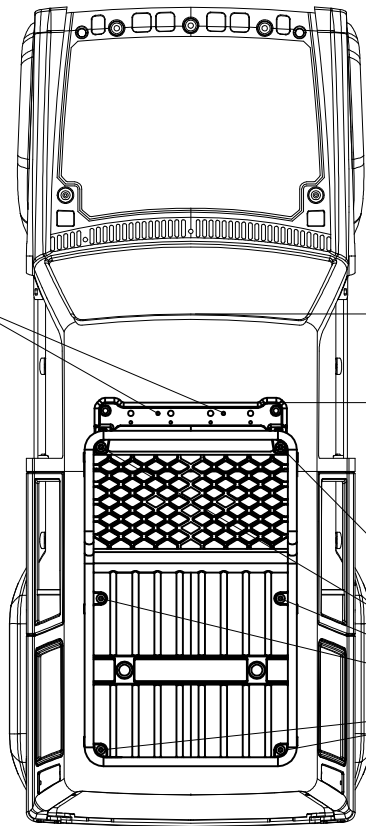


34

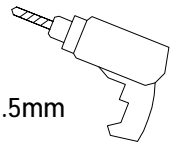
SU4(A)/(B)/(C)



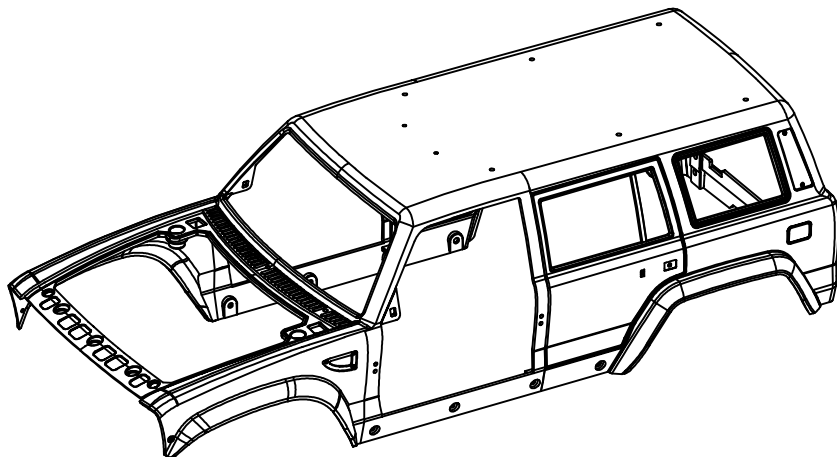
Ø2.5mm

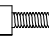


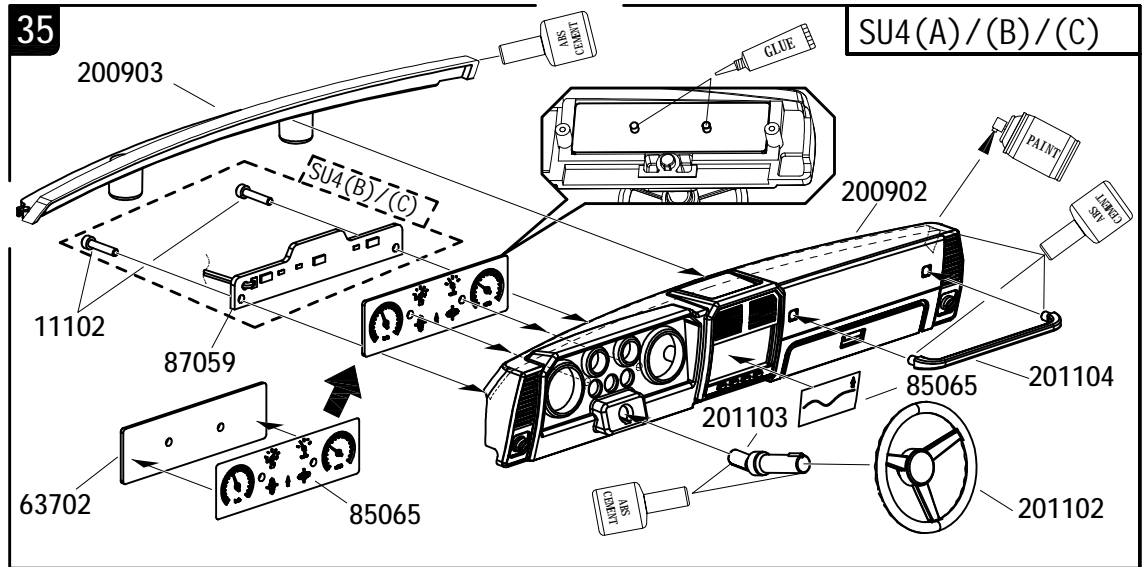
The size of your favorite

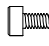


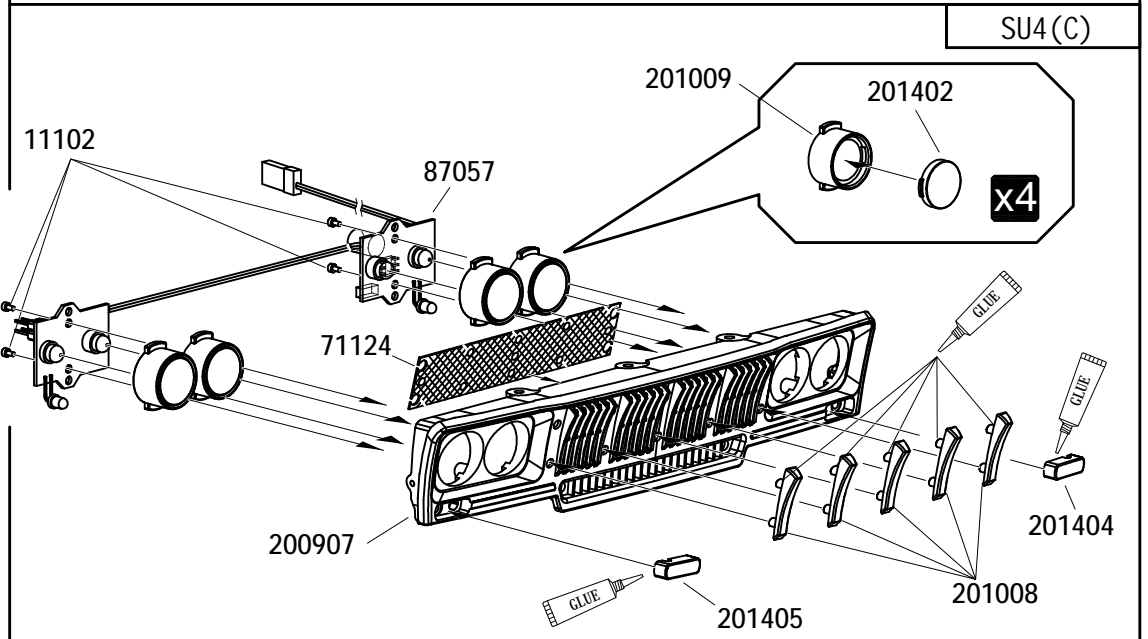
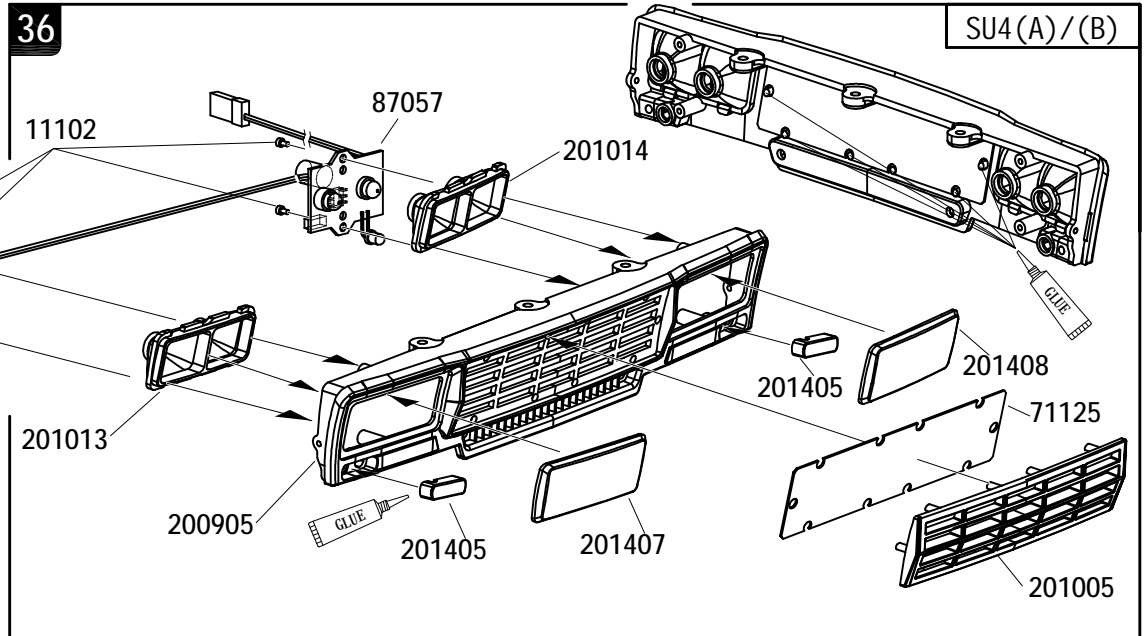
Ø2.5mm



- BAG(BB)
- BAG(CC)
- 11102  M2x6 X2  
SU4(B)/(C)



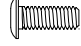
- BAG(Z)
- 11102  M2x6 X4

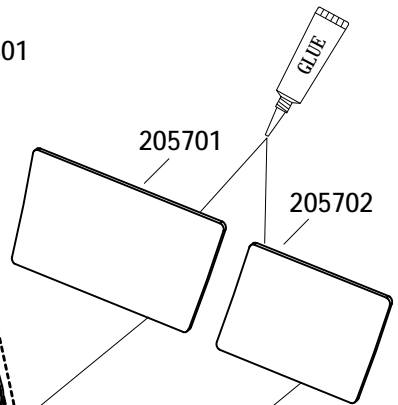
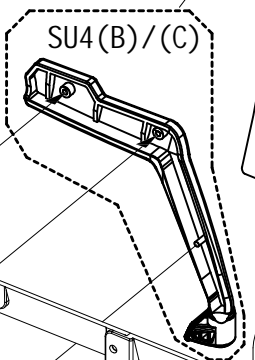
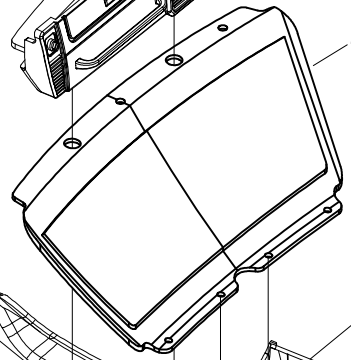
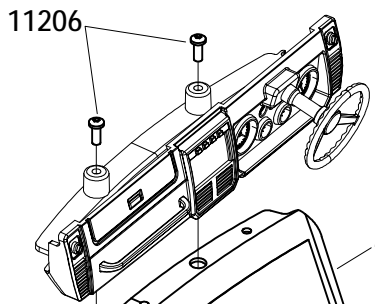


37

SU4(A)/(B)/(C)


BAG(Z)

11206   
M3x8 X2



201110  
201109  
11216  
SU4(B)/(C)

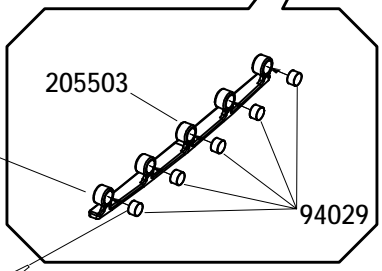
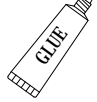
BAG(Q)

11216   
M2.5x6 X2  
SU4(B)/(C)

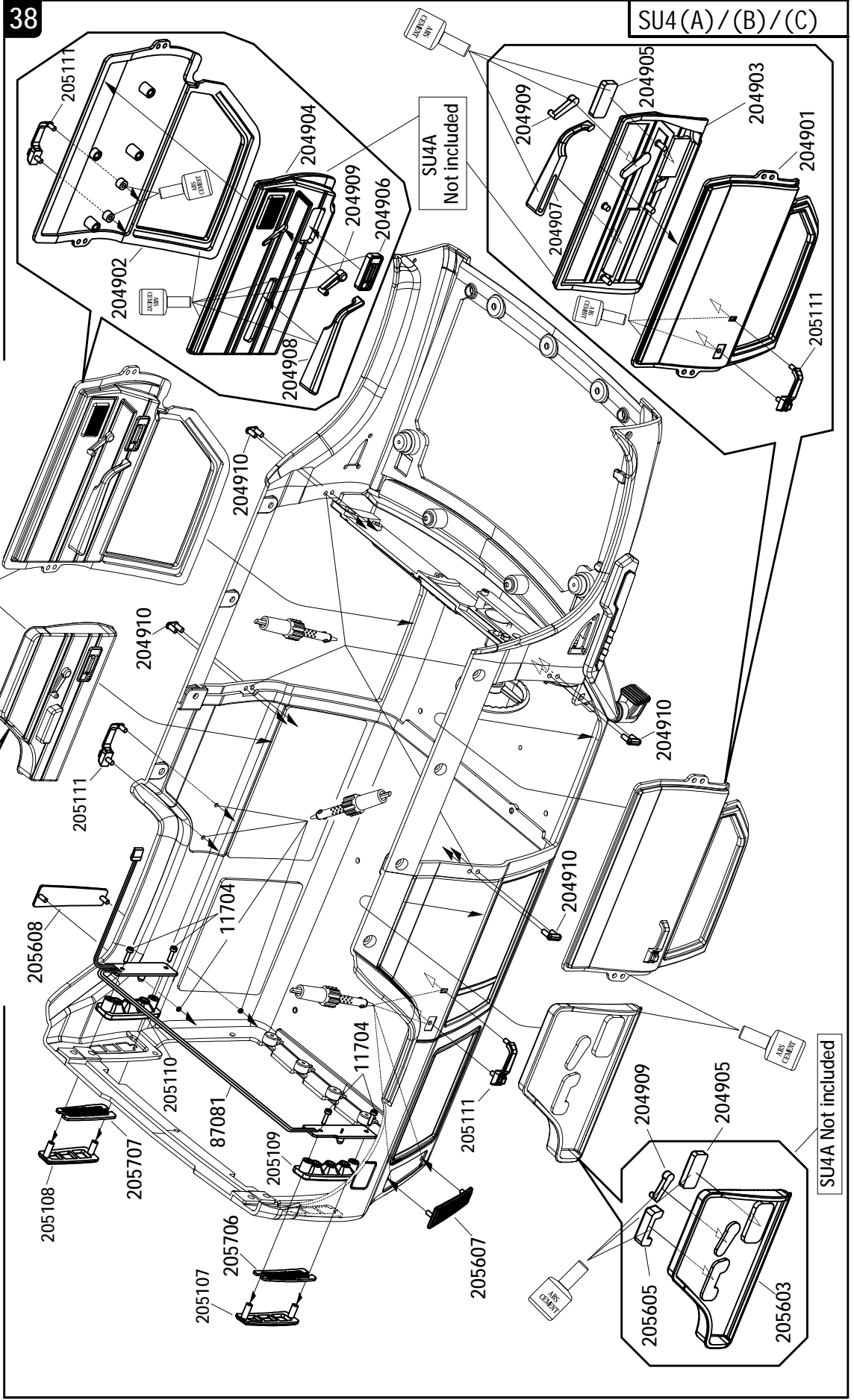


205703

205704







38

SU4(A)/(B)/(C)

BAG(Z)

11704  
M1.6x6 X4



ABS CEMENT

SU4A Not included

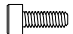

SU4A Not included

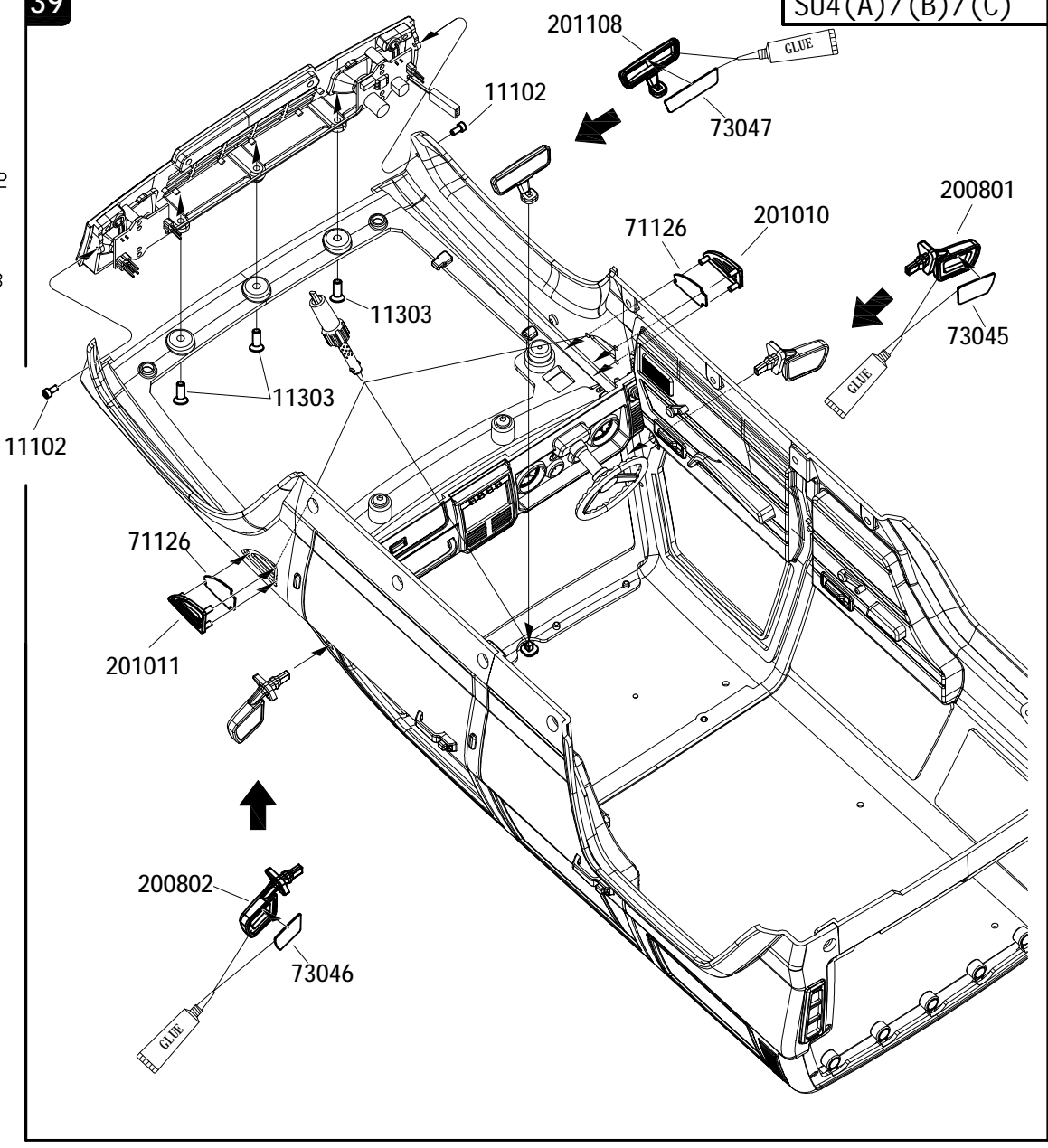
SU4A Not included

39

SU4(A)/(B)/(C)

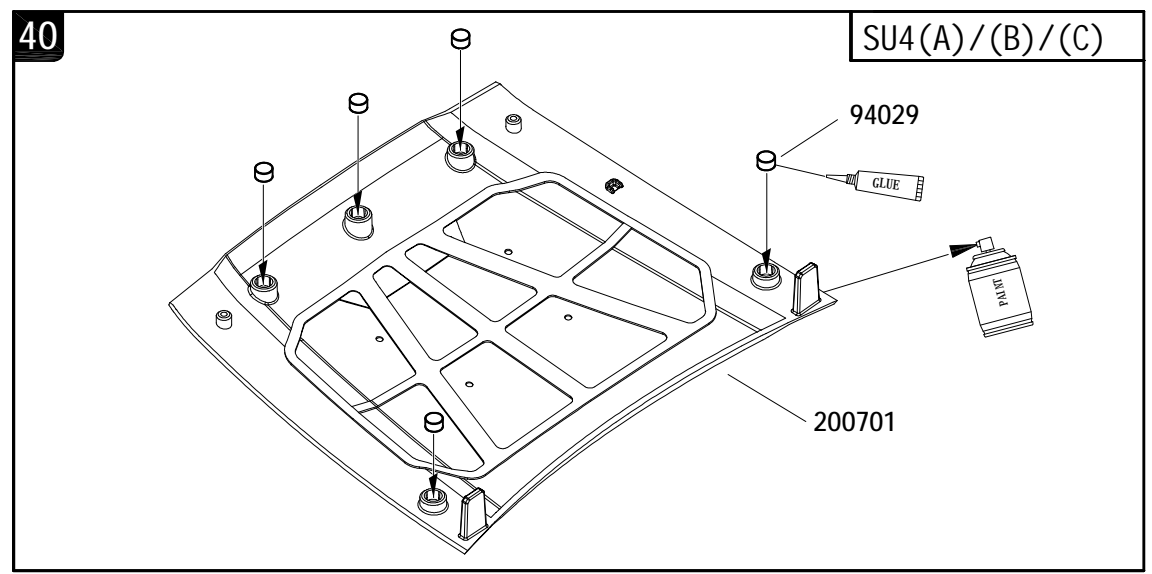
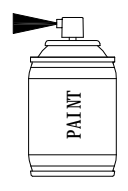
BAG(Z)

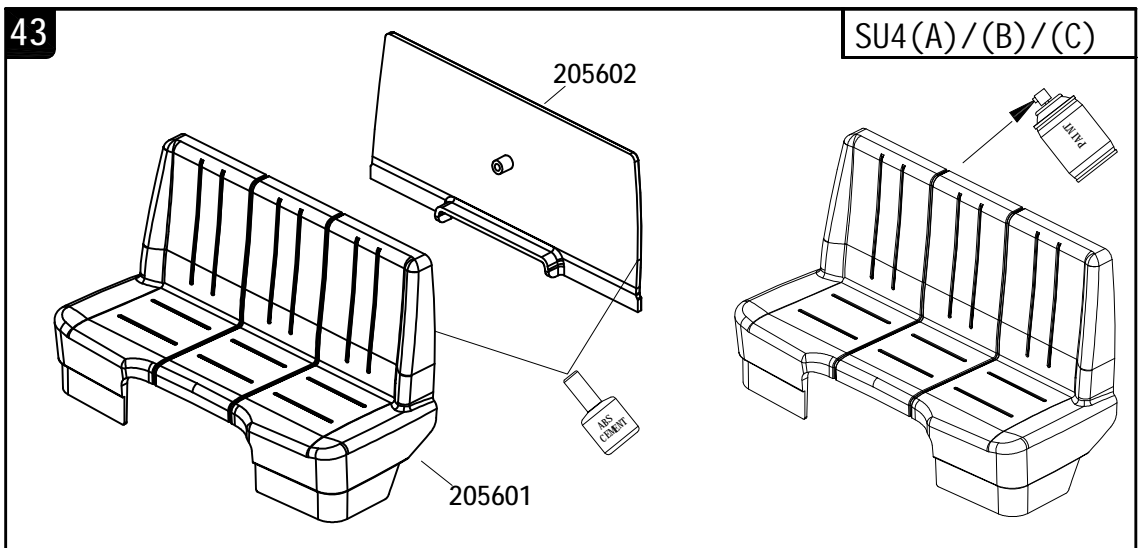
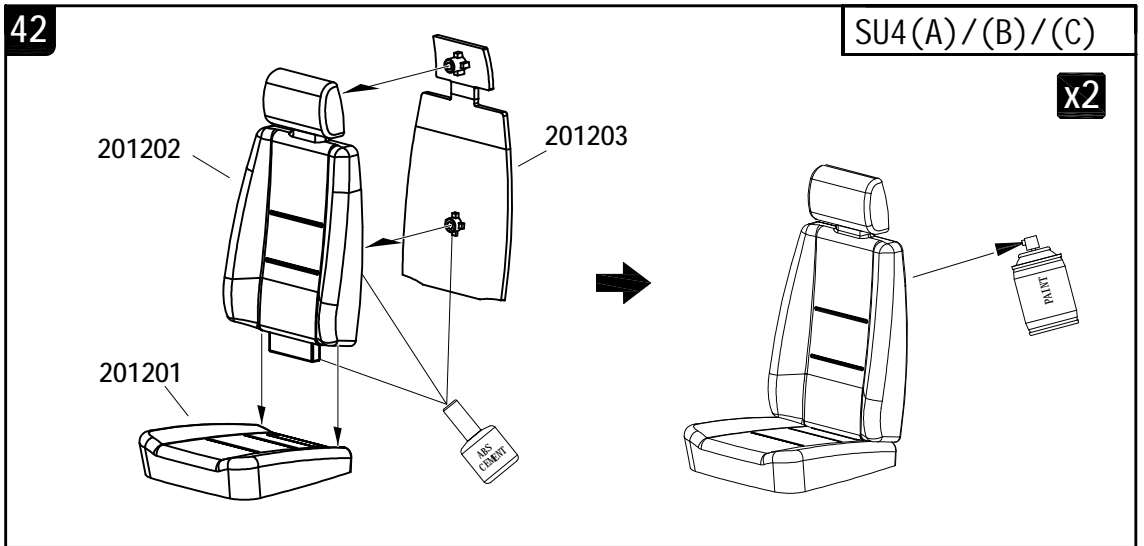
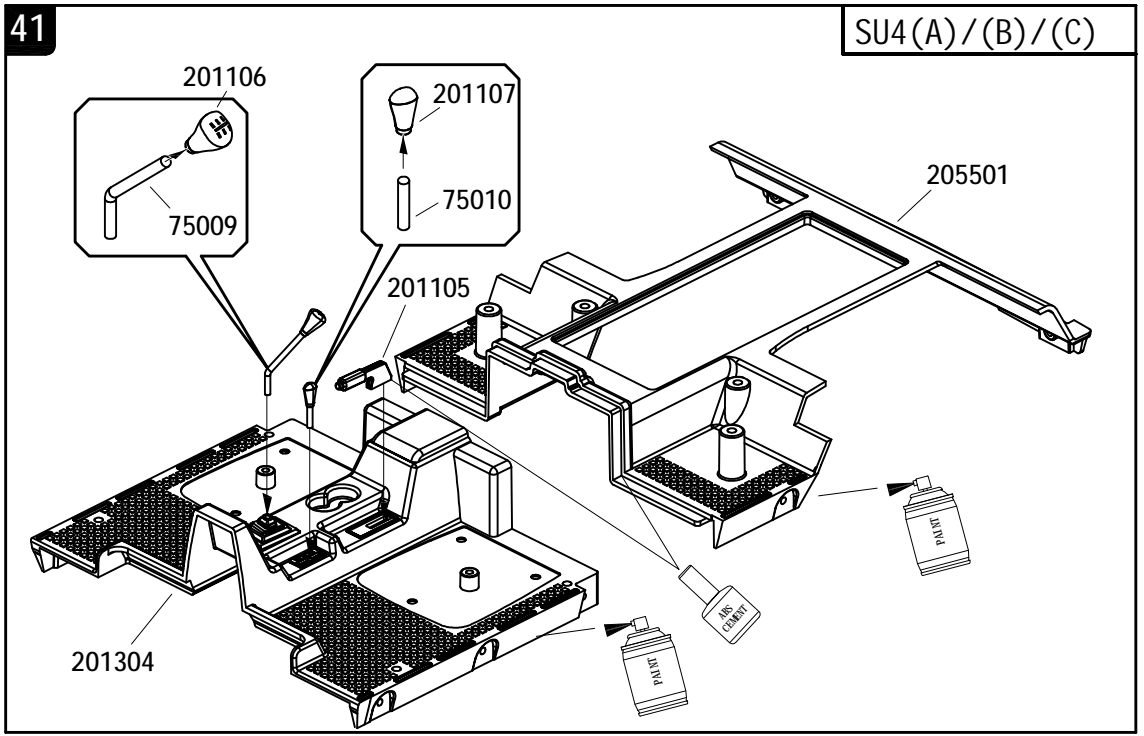
- 11102  M2x6 X2
- 11303  M3x8 X3



40

SU4(A)/(B)/(C)







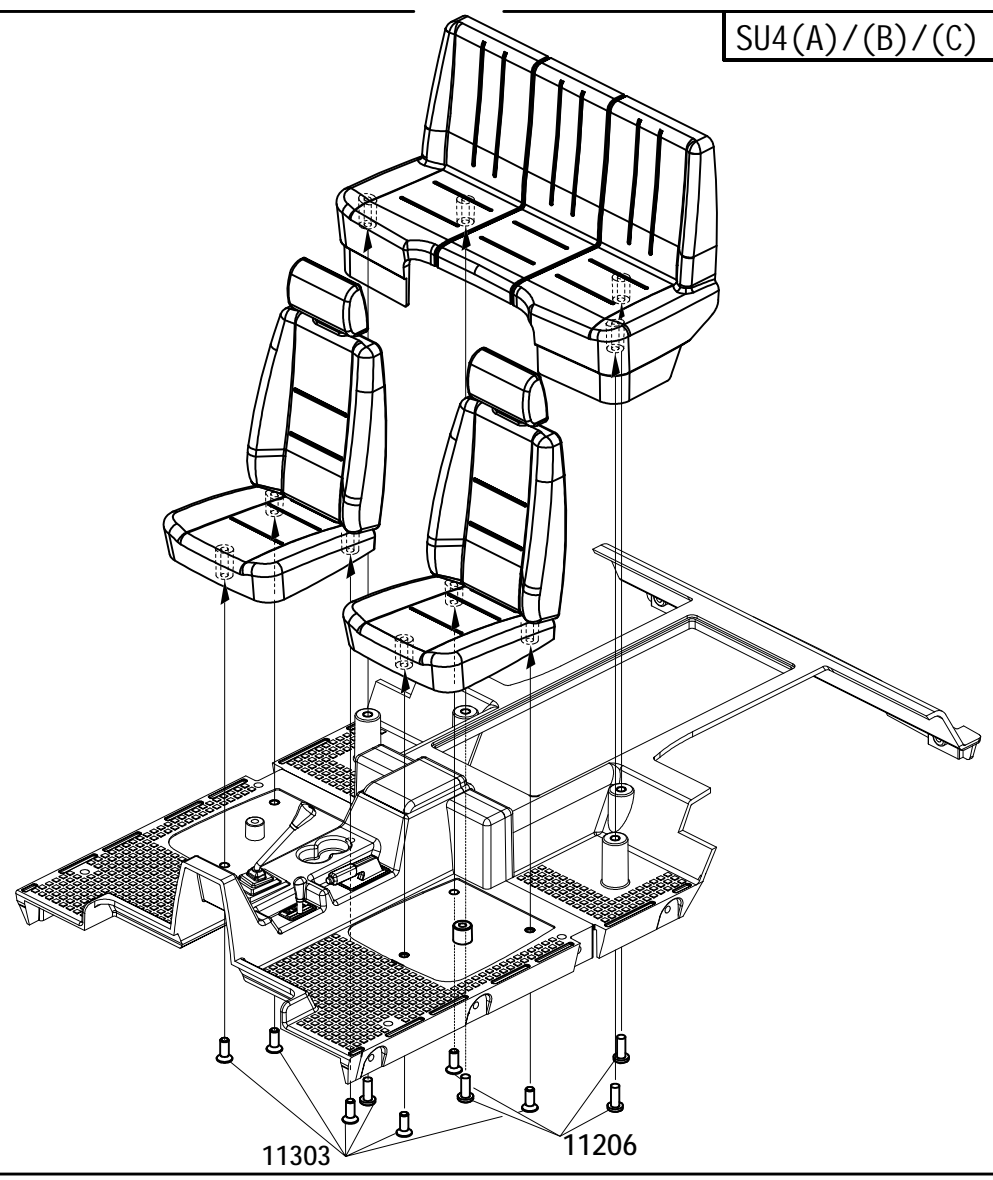
44

SU4(A)/(B)/(C)

BAG(Z)


11206   
M3x8 X4

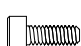
11303   
M3x8 X6




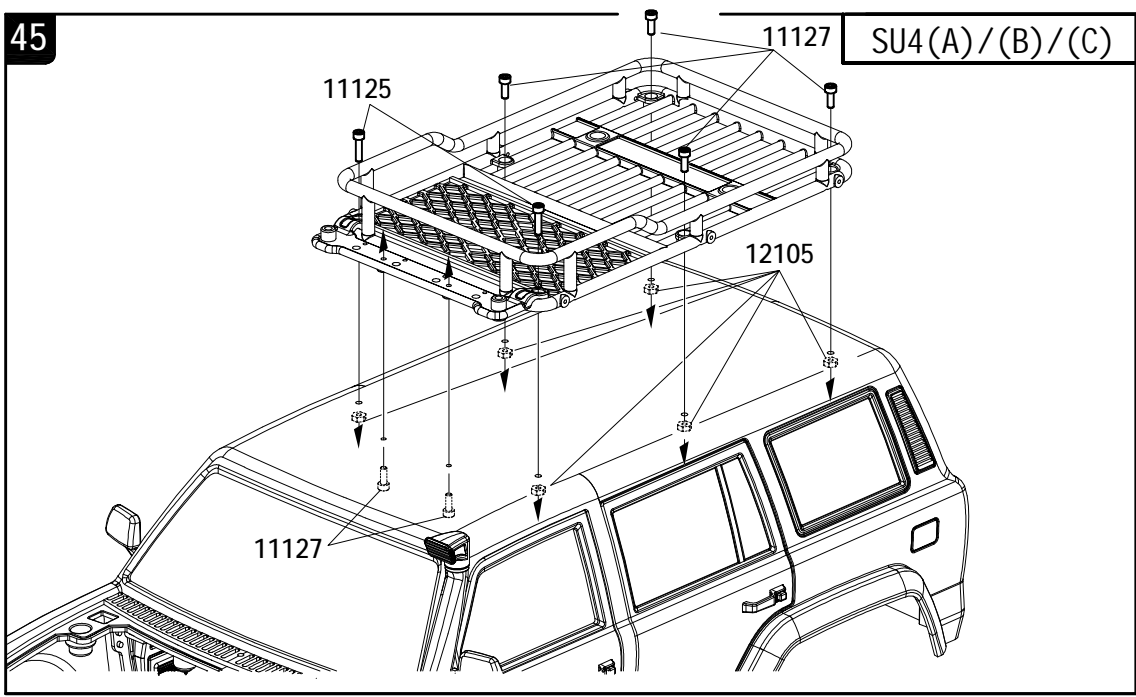
45

SU4(A)/(B)/(C)

11125   
M2.5x10 X2

11127   
M2.5x7 X6


12105   
M2.5 X6

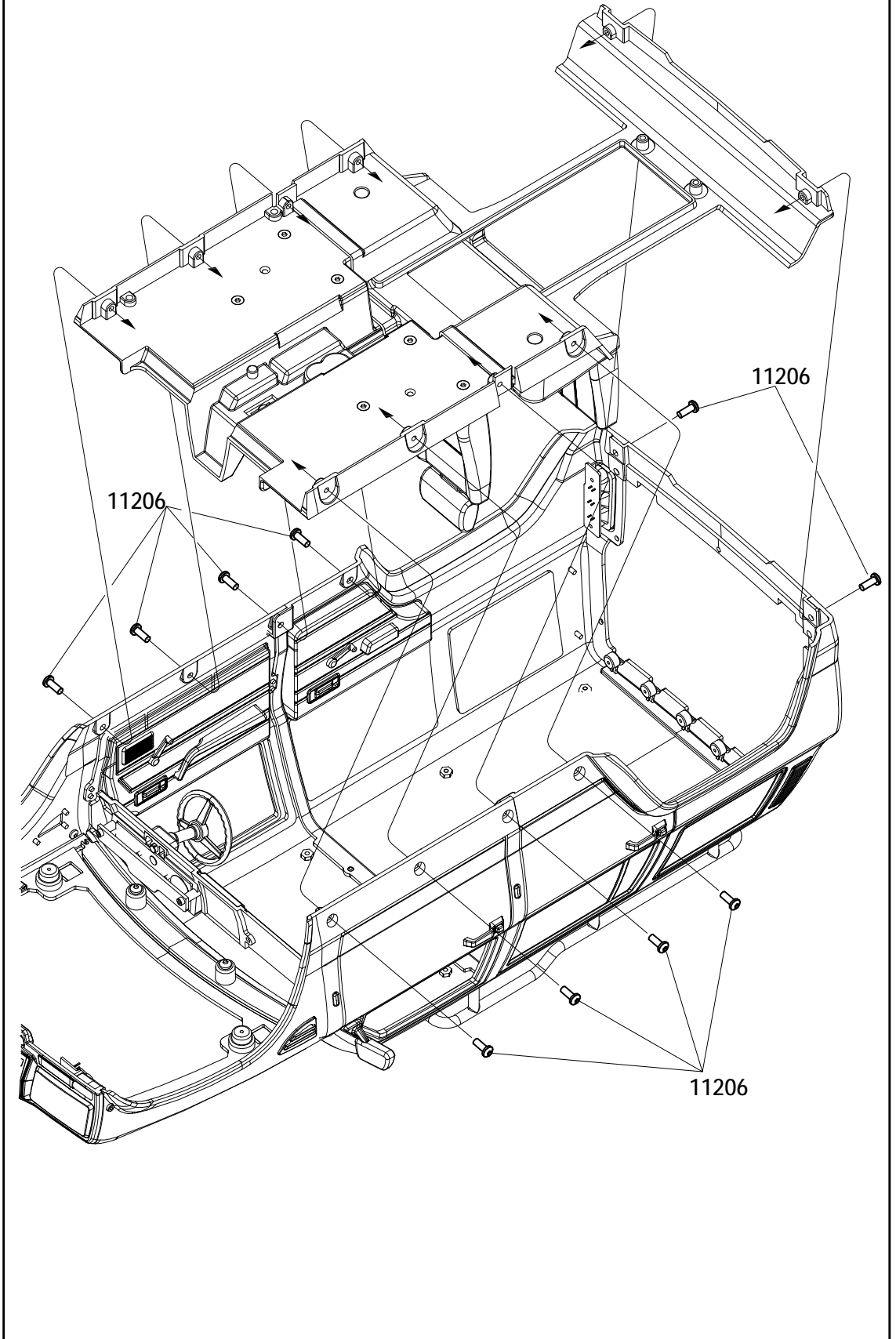


BAG(Z)

46

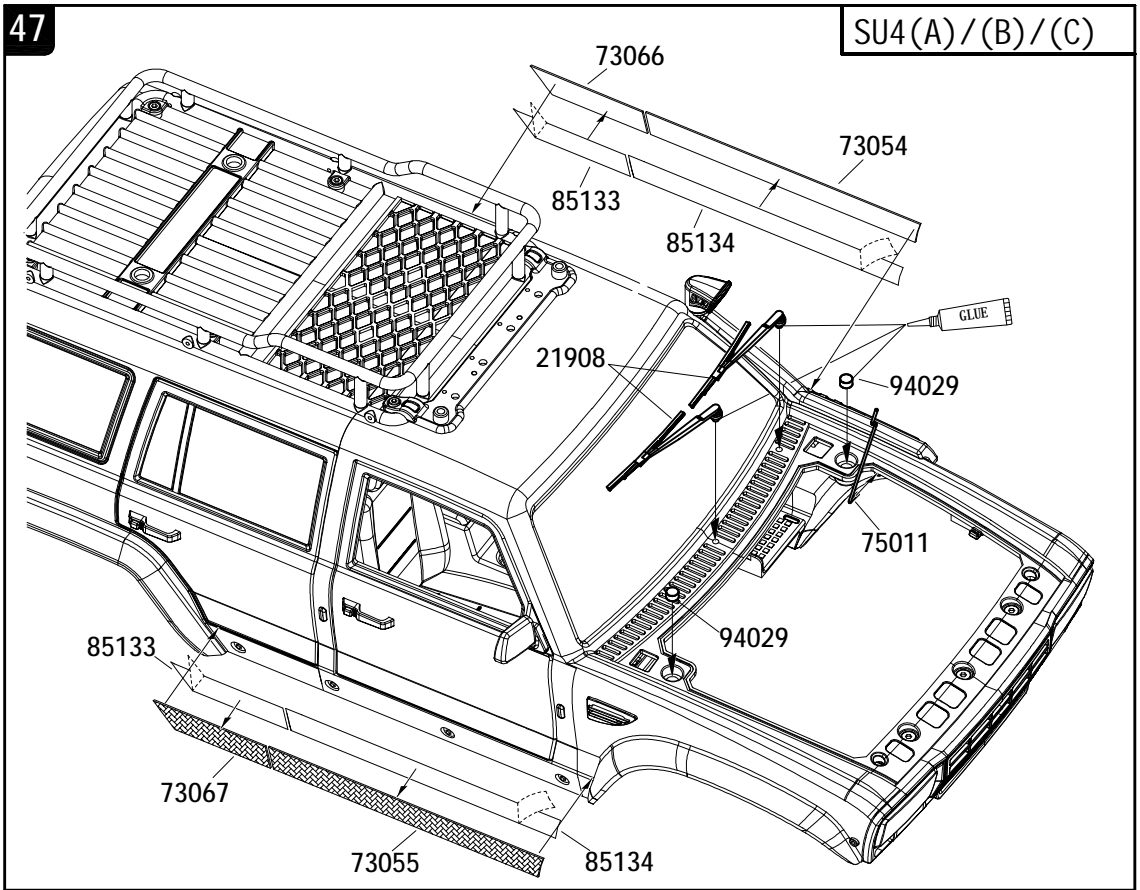
SU4(A)/(B)/(C)

11206   
M3x8 X10



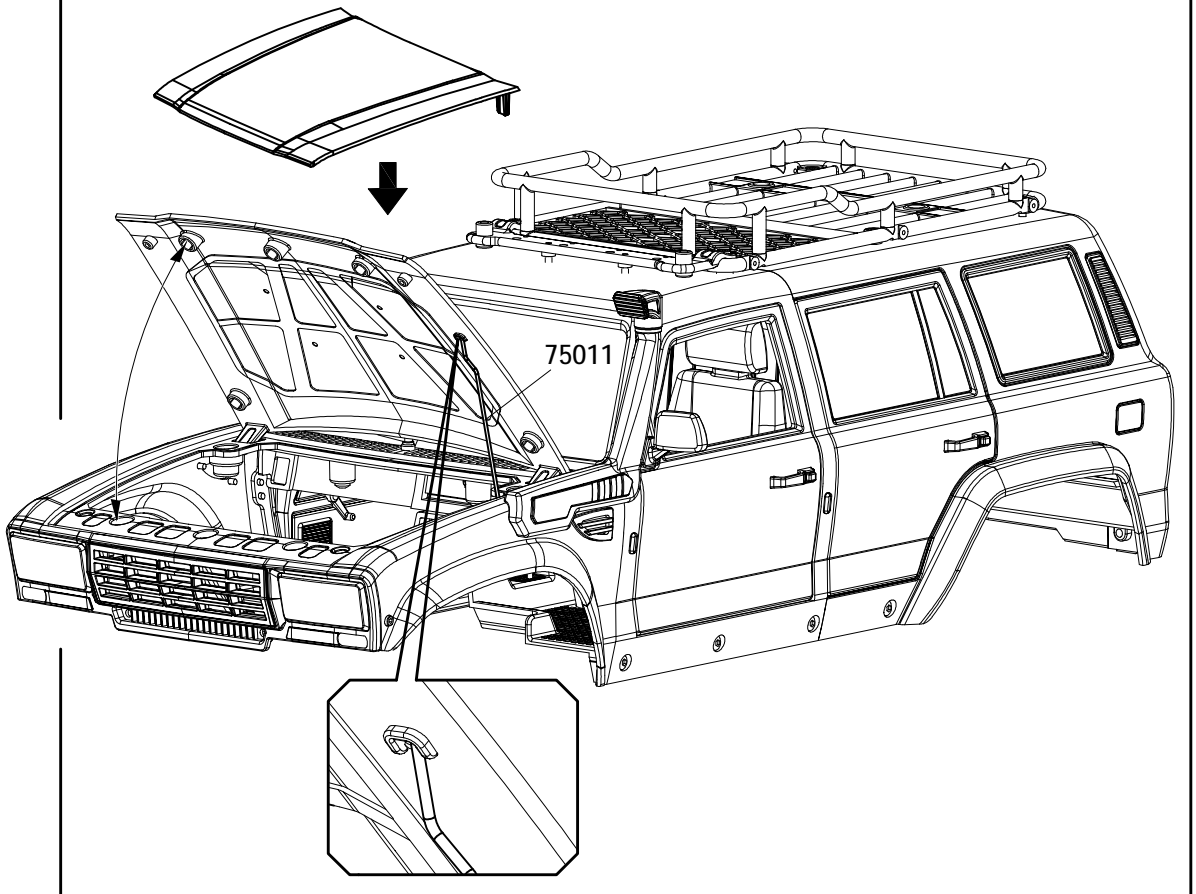
47

SU4(A)/(B)/(C)



48


SU4(A)/(B)/(C)

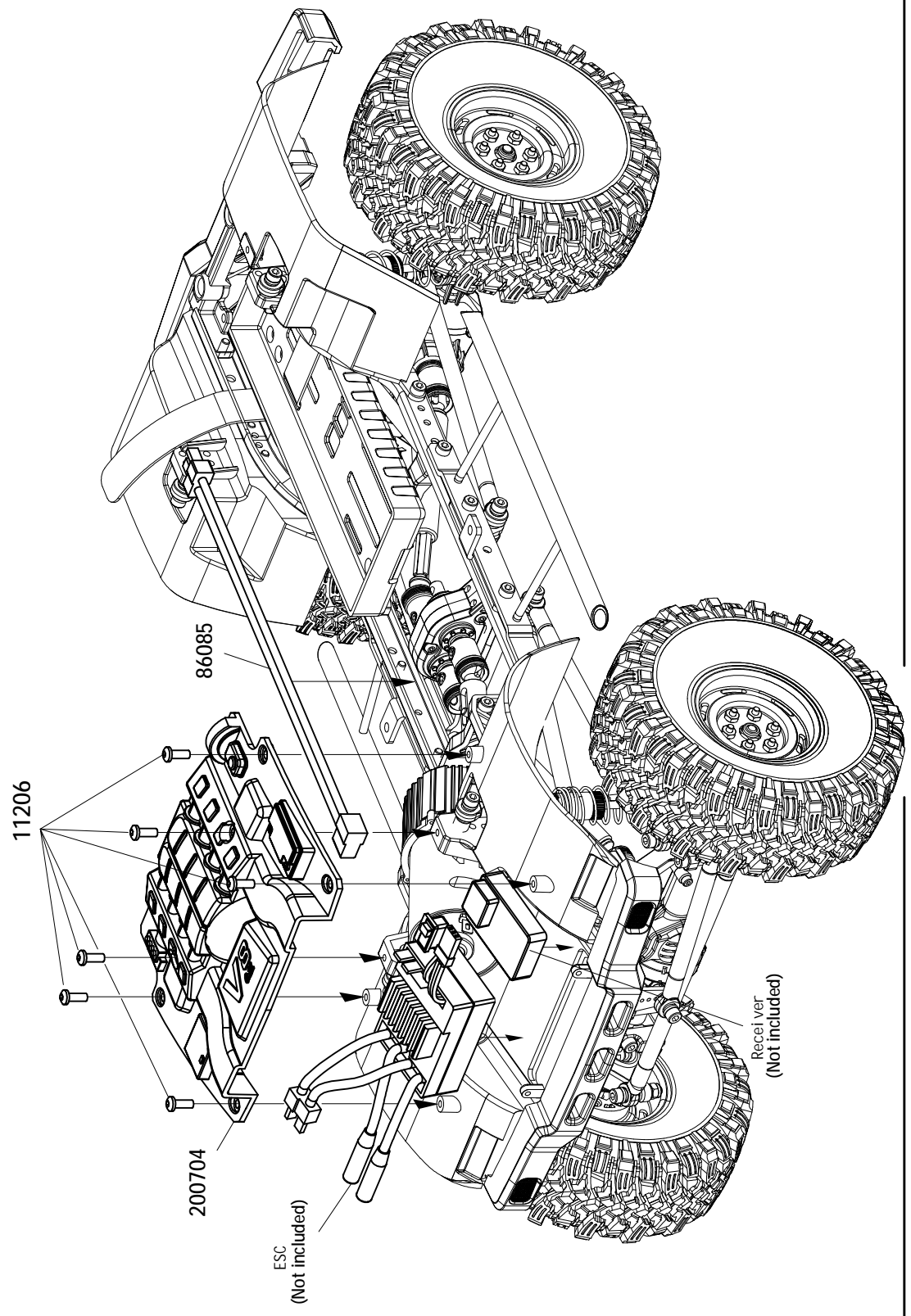


BAG(Z)

49

SU4(A)/(B)/(C)

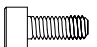
11206   
M3x8 X6



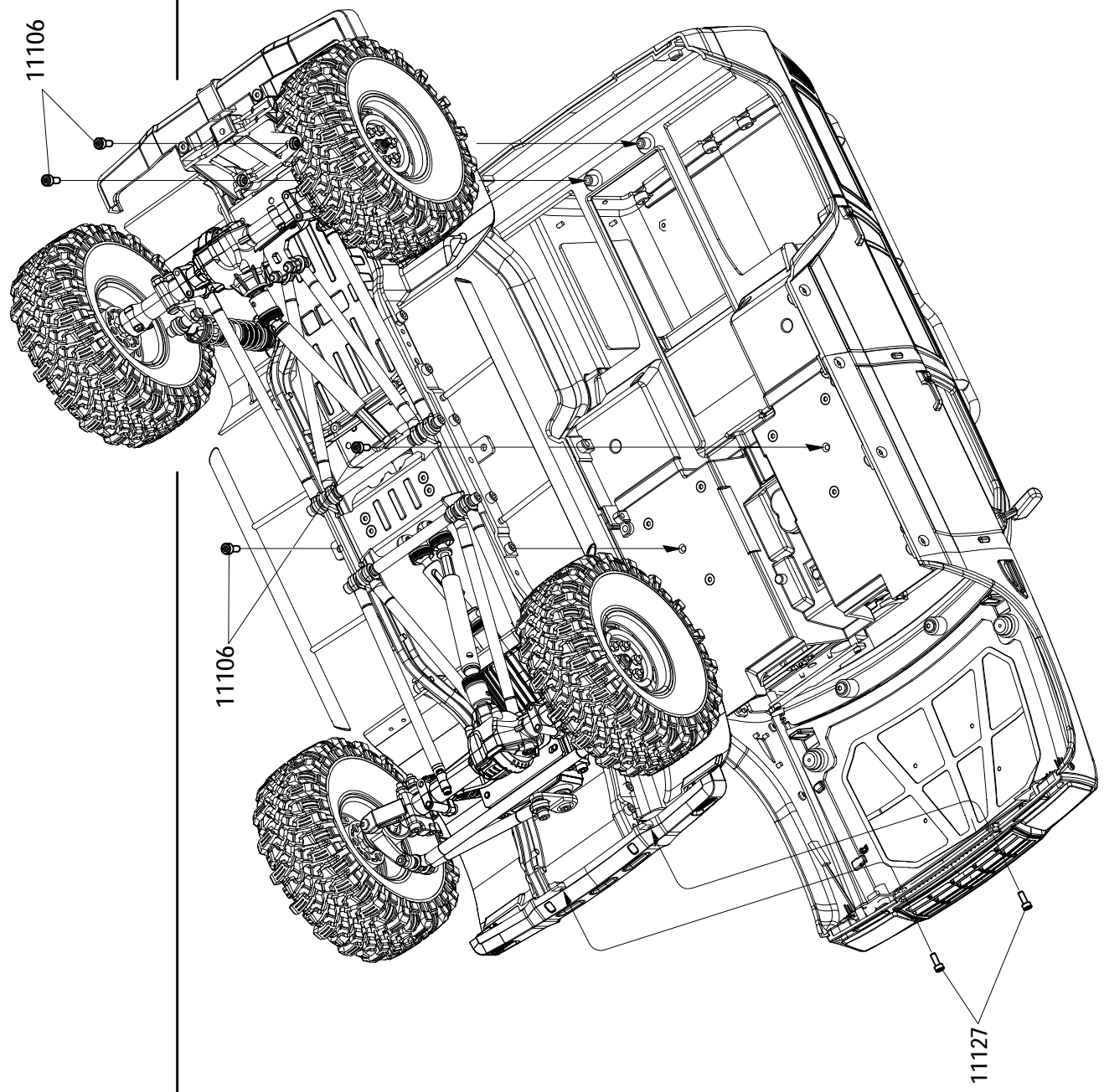
50

SU4(A)/(B)/(C)

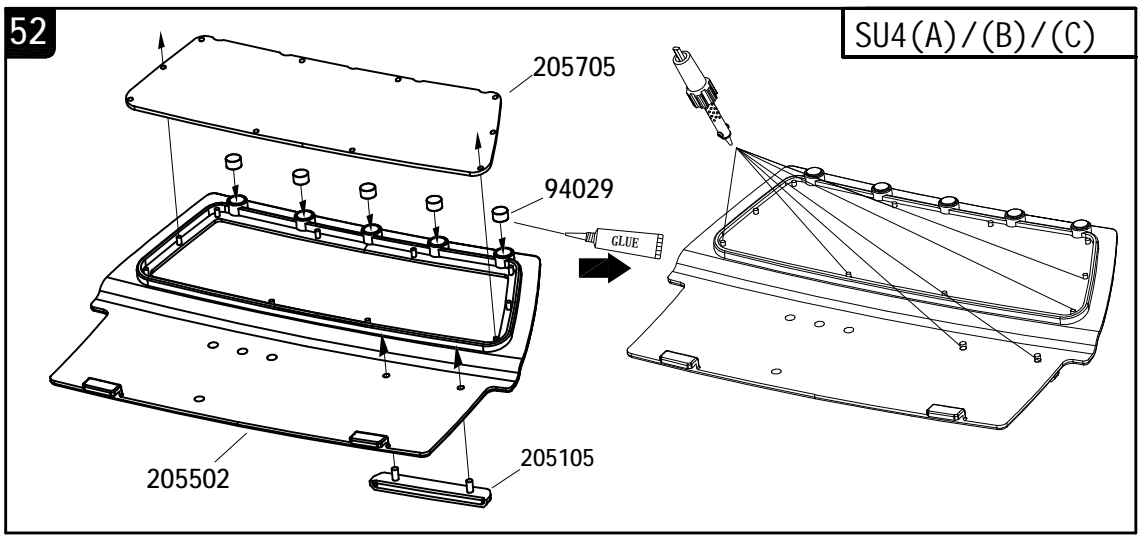
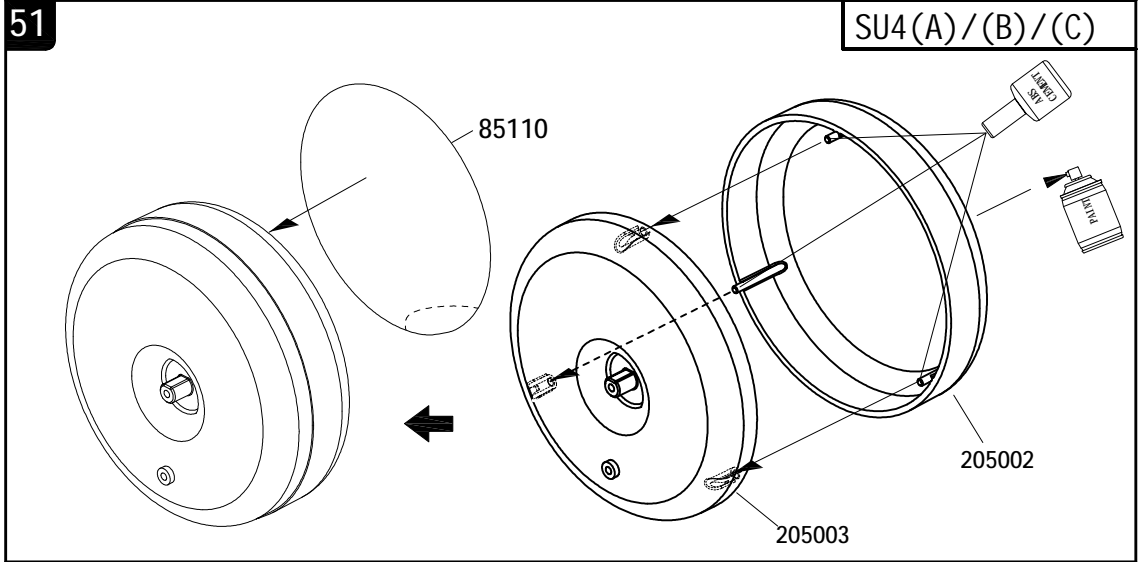
BAG(Z)

11106   
M3x8 X4


11127   
M2.5x7 X2




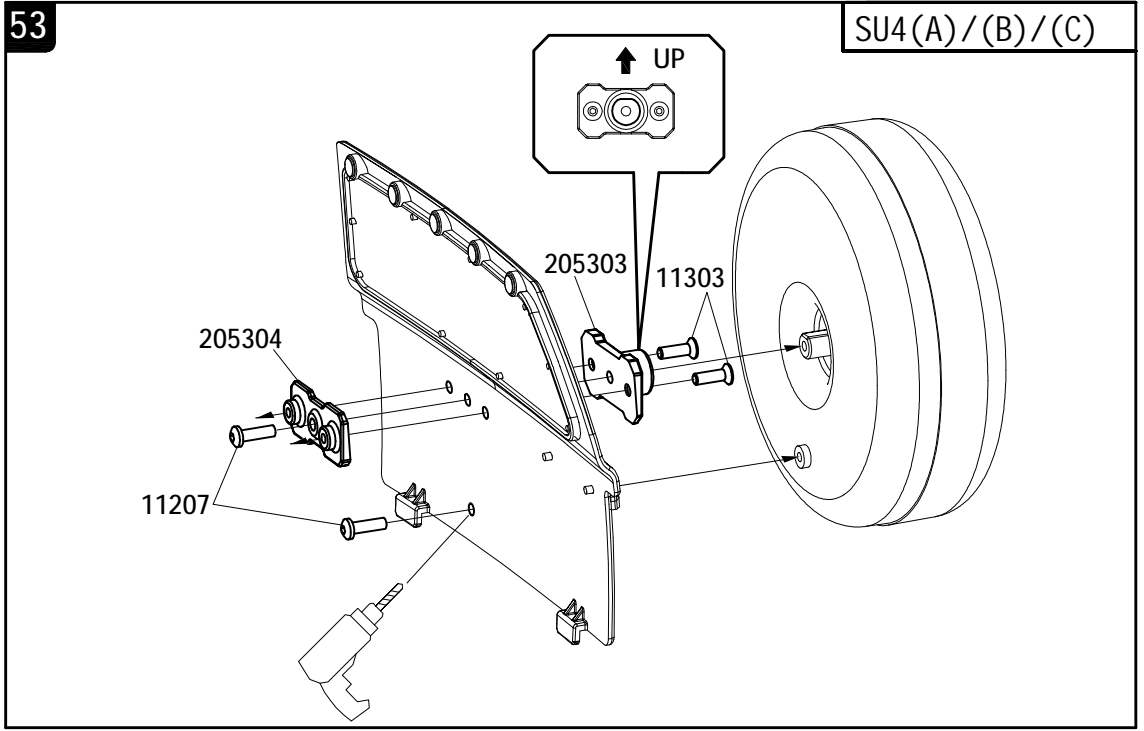


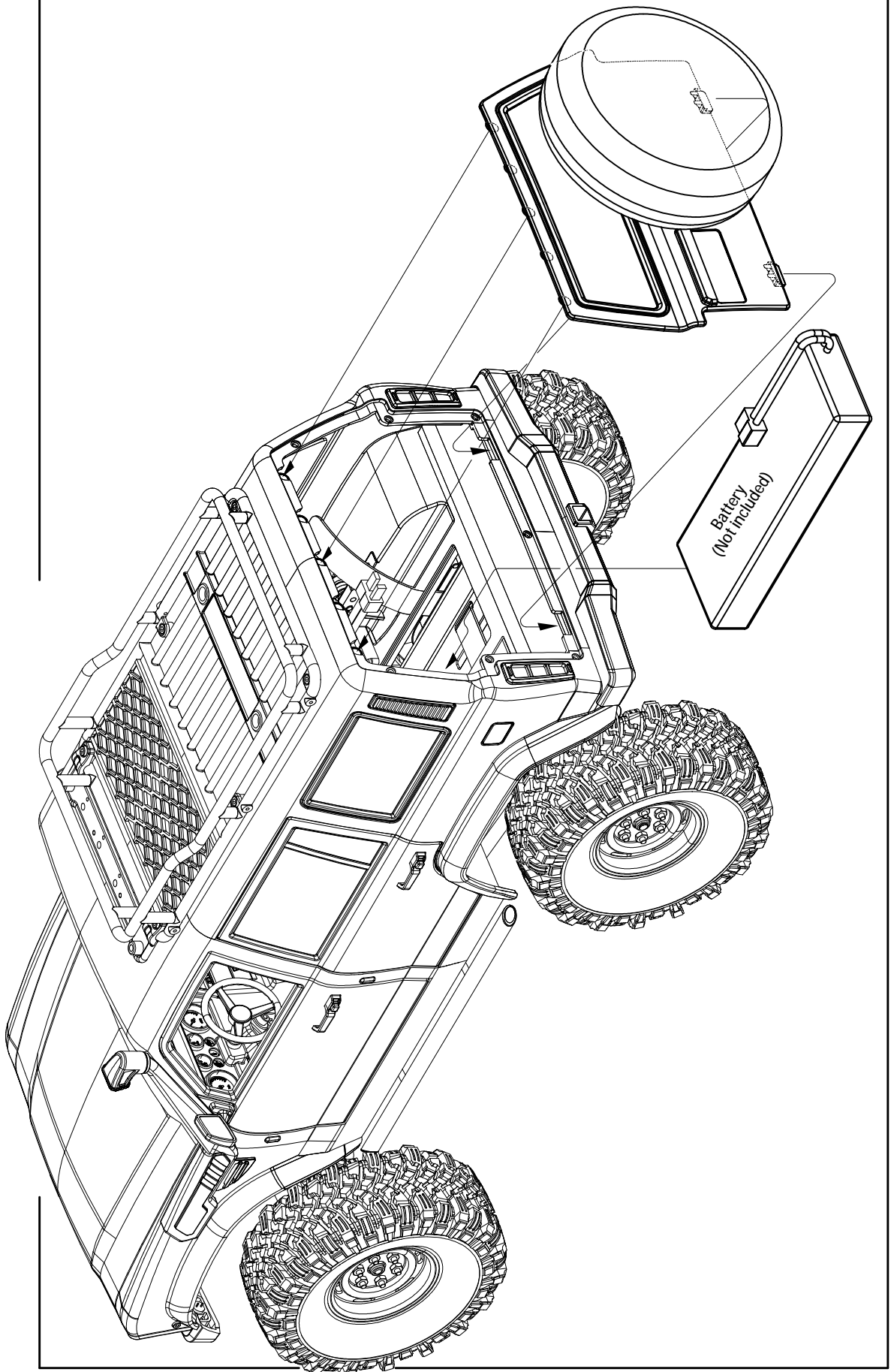


BAG(Z)

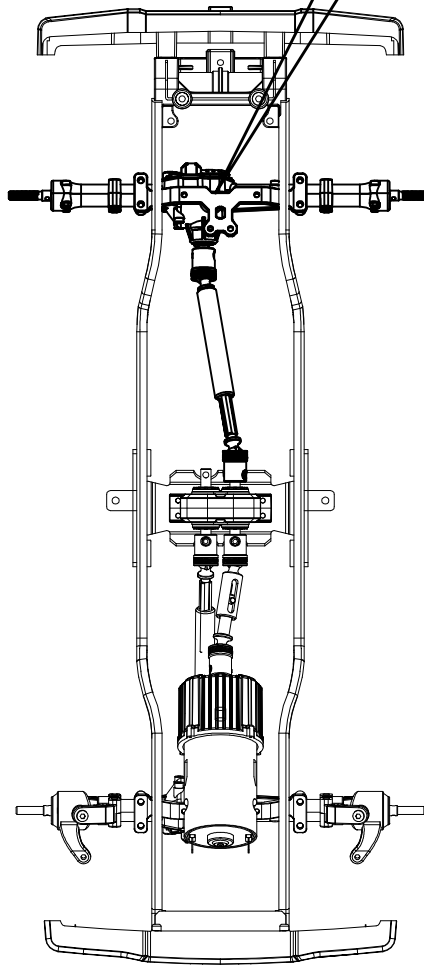
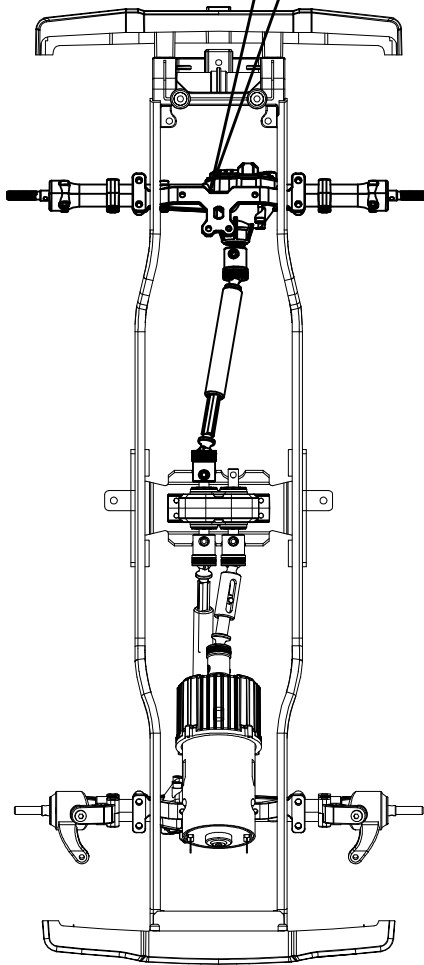
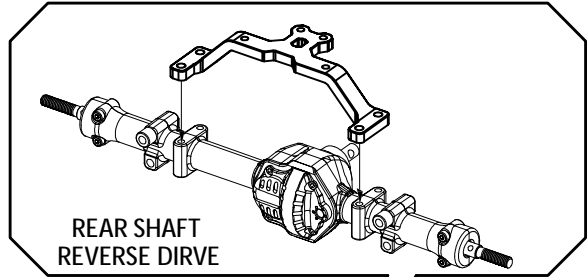
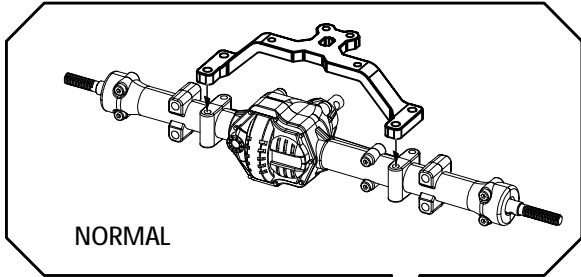
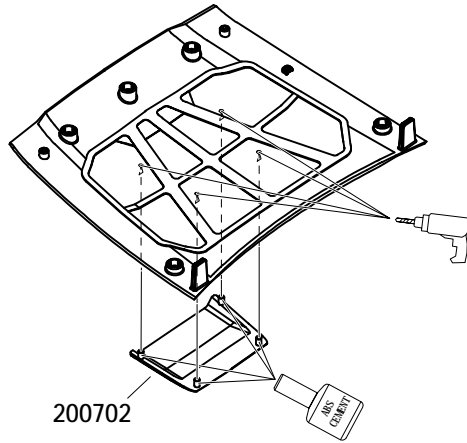
11303   
M3x8 X2

11207   
M3x10 X2



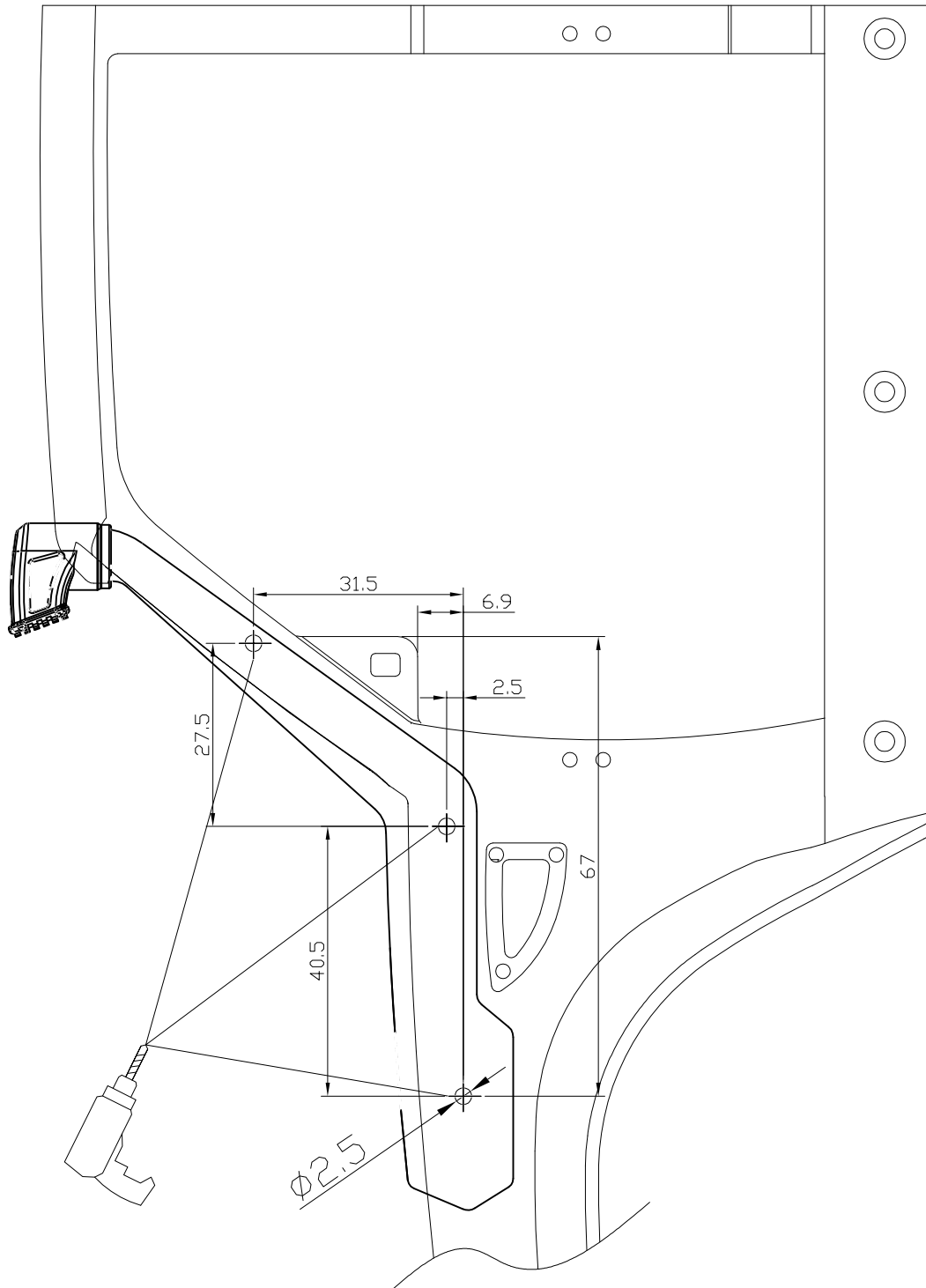


SU4(C)



NORMAL

REAR SHAFT  
REVERSE DIRVE



SU4(B)/(C)  
1:1

